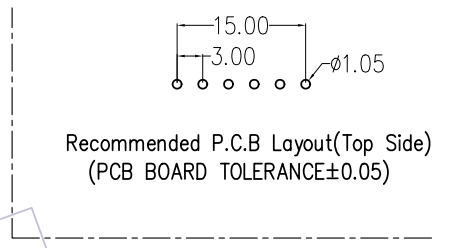
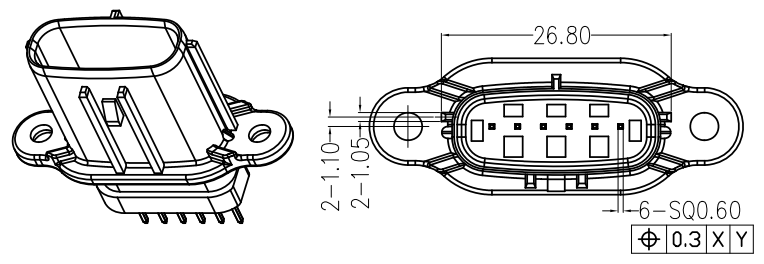


HSF

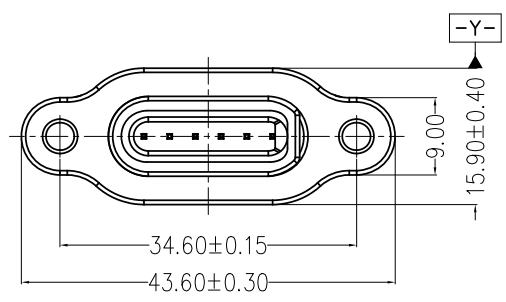
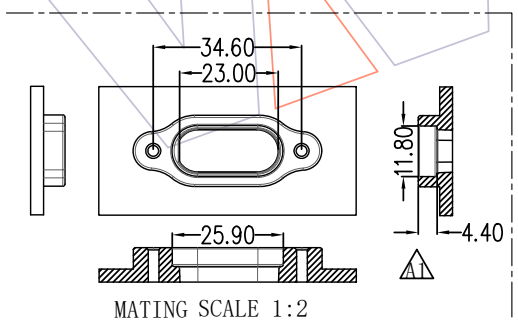
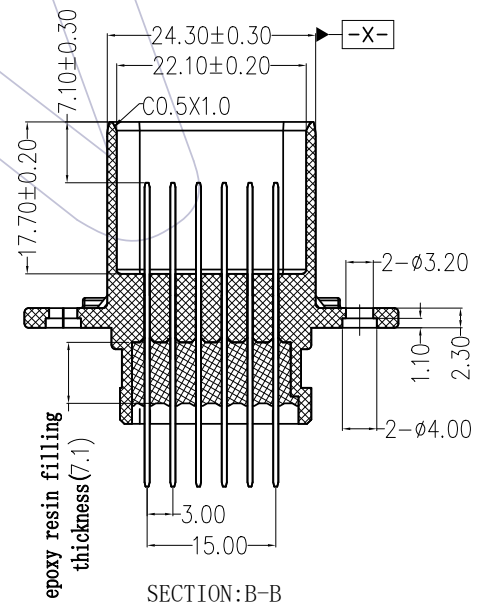
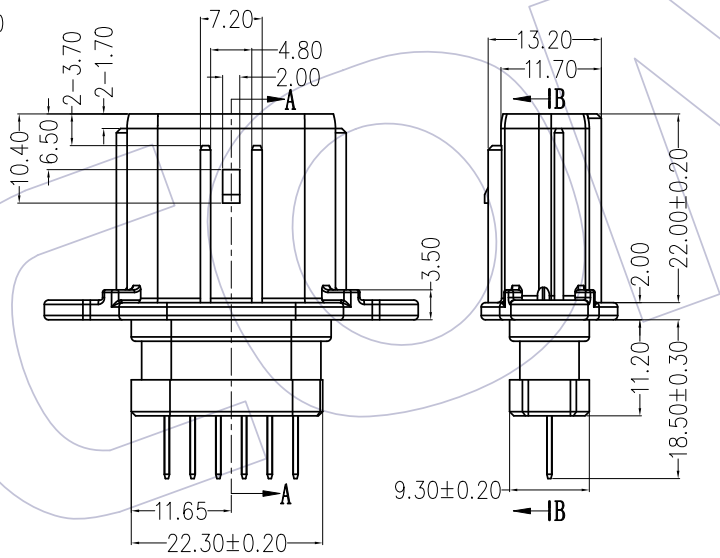
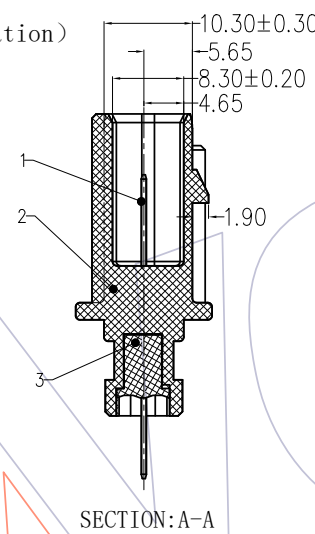
NOTES:
 No. of Positions: 6 Pin
 Housing Material: PBT UL94-HB
 Contact Material: Copper Alloy
 Contact Plating: Sn
 Operation Temperature: -40°C to +105°C
 Waterproof grade: IP67 (After installation)



Ordering Information

73000-1MS 006 A B SN J A 1

- No. of Pins: 006=6P
- Body Material: A=PBT, B=Brass
- Contact Material: SN=Tin
- Contact Plating: J = No Seal Ring
- A=Vacuum box



Serial Number	Part Name	Material	Consumption
1	Contact	Copper Alloy	6
2	Housing	PBT UL94-HB	1
3	Resin	epoxy resin	

REV	DATE	MODIFICATION DESCRIPTION	CHANGE	OPERATION		DRAW	DATE	SCALE	FIT	PART NO.
				DIM	TOL					
A1	2018/11/15	Modify		X.X	±0.40	Ding	2018/11/15	UNIT	mm	73000-1MS006ABSJJA1
AO	2018/08/27	NEW		X.XX	±0.25	CHECK	DATE	SIZE	A4	TITLE:
				X.XXX	±0.15	APPROVE	DATE	SHEET	1/1	Vehicular waterproof plug 6Pin
				Angle	± 3'			PROJ.		Customer NO.

WCON
 Http: www.wcon.com

WCON-Dongguan
 Tel: +86 769 85358920
 Fax: +86 769 85358915
 E-mail: sales@wcon.com

WCON-Kunshan
 Tel: +86 512 57468408
 Fax: +86 512 57468468
 E-mail: salesks@wcon.com