

NOTES:

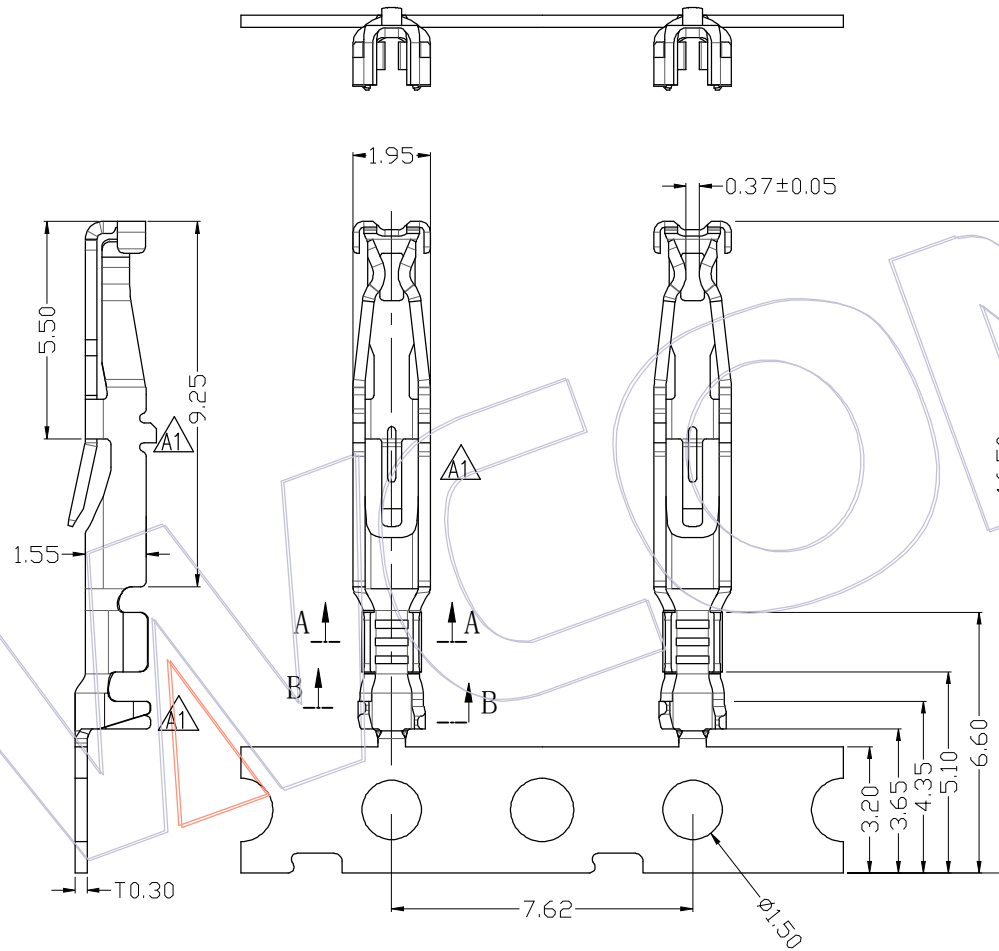
Contact Material: Cu-Alloy;
 Current Rating: 12.0 A Max;
 Contact Finish: Au and Sn over Ni;
 Wire Size Range: 26-24AWG;
 Insulation range: 0.9-1.15mm;

Ordering Information

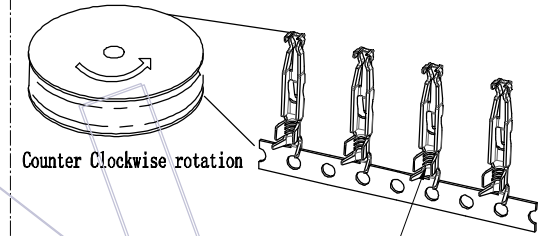
3915-4TD3 XX 03

Contact Plated:

W3=Sel. 10u" Au/Matte Sn
 W4=Sel. 15u" Au/Matte Sn
 W5=Sel. 30u" Au/Matte Sn

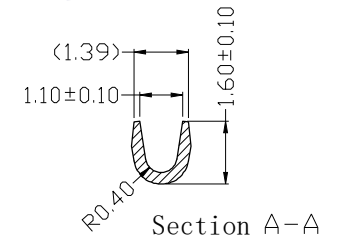


Schematic diagram of discharge direction

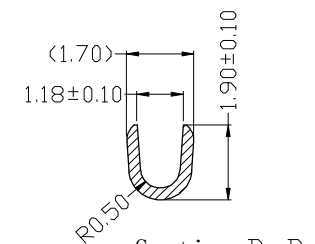


Counter Clockwise rotation

Riveting claw inside



Section A-A



Section B-B

线规	24AWG	26AWG
压接高度	0.93±0.05	0.78±0.05
压接宽度	1.45±0.05	1.45±0.05
压缩比	87.6%	87.9%
切片 界面 分析 示意 图		
	SECTION:A-A	SECTION:A-A
	SECTION:B-B	SECTION:B-B

				OPERATION	DRAW	DATE	SCALE	FIT	PART NO.
A2	2021/10/29	Add Fool Proof	—	x.x	PAN	2021/10/29	UNIT	mm	3915-4TD3XX03
A1	2019/08/16	MODIFY DRAWING	—	x.xx	CHECK	DATE	SIZE	inch	TITLE:
A0	2019/07/03	NEW	—	x.xxx	APPROVE	DATE	SHEET	A4	LSC Connector -
REV	DATE	MODIFICATION DESCRIPTION	CHANGE	Angle			PROJ.	1/1	Crimp Terminal (24/26AWG)
				± 3'					Customer NO.
				DIM					
				TOL					

WCON
 Http: www.wcon.com

WCON-Dongguan WCON-Kunshan
 Tel: +86 769 85358920 Tel: +86 512 57468408
 Fax: +86 769 85358915 Fax: +86 512 57468468
 E-mail: sales@wcon.com E-mail: salesks@wcon.com