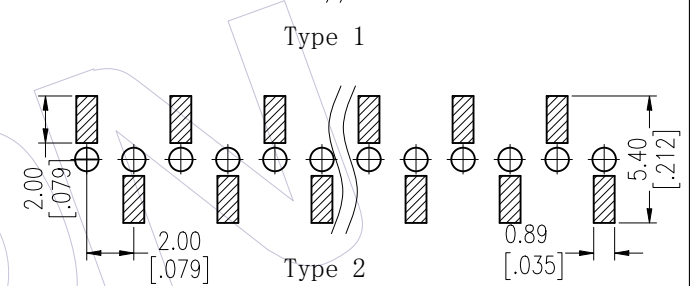
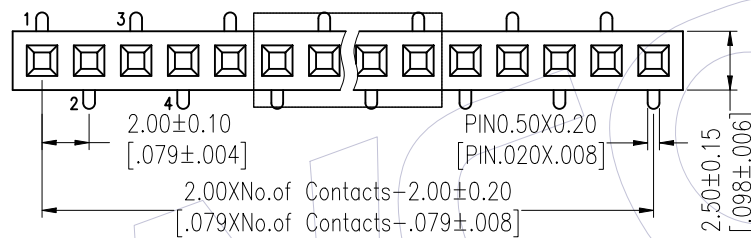
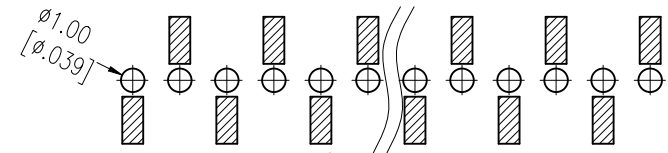
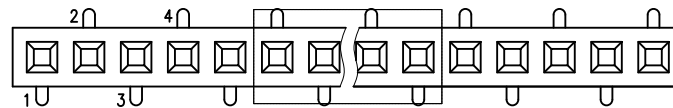


HSF

NOTES:
 Current Rating: 2.0AMP
 Contact Resistance: 20mΩ Max
 Withstand Voltage: 500V AC
 Insulation Resistance: 1000MΩ Min
 Operation Temperature: -40°C to +105°C

Contact Material: Phosphor Bronze
 Contact plating: Au Or Sn over Ni
 Insulator Material: PA9T+33%GF UL94V-0

Recommended P.C.B Layout (Top Side)
 (PCB BOARD TOLERANCE ±0.05)



Ordering Information

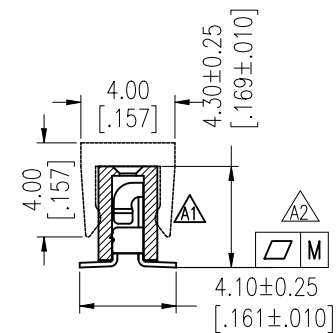
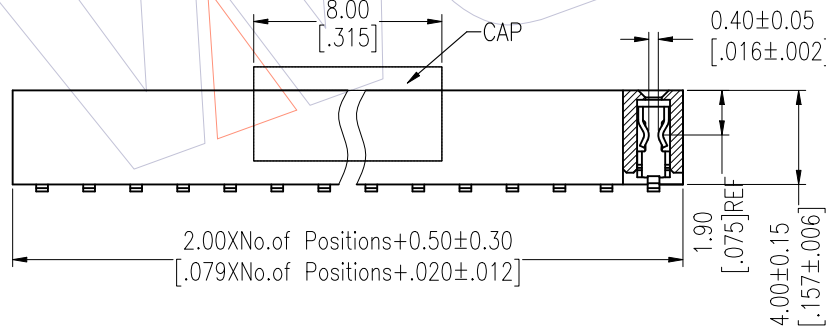
2240-1 XX M XX CUN X X

No. of Pins per ROW: 02-40PIN

Contact Plating:
 G0=Gold Flash
 G3=10μ"Gold
 G4=15μ"Gold
 G5=30μ"Gold
 S0=Gold Flash/Tin
 S3=10μ"Gold/Tin
 S4=15μ"Gold/Tin
 S5=30μ"Gold/Tin
 SN=Tin
 SM=Matte Tin

Packing
 T=Tube
 P=Tube+CAP
 R=Tape&Reel+CAP

Series No.
 1=Type 1
 2=Type 2



Item	Pitch	Mating
Standard	2.00	1215/1220
Alternate		

	TITLE	PART NO.
TYPE 1	2240-1XXMXXCUNX1	
TYPE 2	2240-1XXMXXCUNX2	

REV	DATE	MODIFICATION DESCRIPTION	CHANGE	OPERATION	DRAW	DATE	SCALE	FIT	PART NO.
A2	2023/02/14	Modify Flatness	-----	x.X ±0.40	Surong Xu	2023/02/14	UNIT mm		SEE TABLE
A1	2018/04/29	MODIFY P/N & CAP	-----	x.XX ±0.25	CHECK	DATE	SIZE A4		TITLE:
A0	2012/07/16	NEW	-----	x.XXX ±0.15	APPROVE	DATE	SHEET 1/1		2.0mm Female Header SINGLE ROW
				Angle ± 3°			PROJ.		180°SMT H=4.0
				DIM TOL					Customer NO.

WCON

Http: www.wcon.com

WCON-Dongguan Tel: +86 769 85358920 Fax: +86 769 85358915 E-mail: sales@wcon.com

WCON-Kunshan Tel: +86 512 57468408 Fax: +86 512 57468468 E-mail: salesks@wcon.com