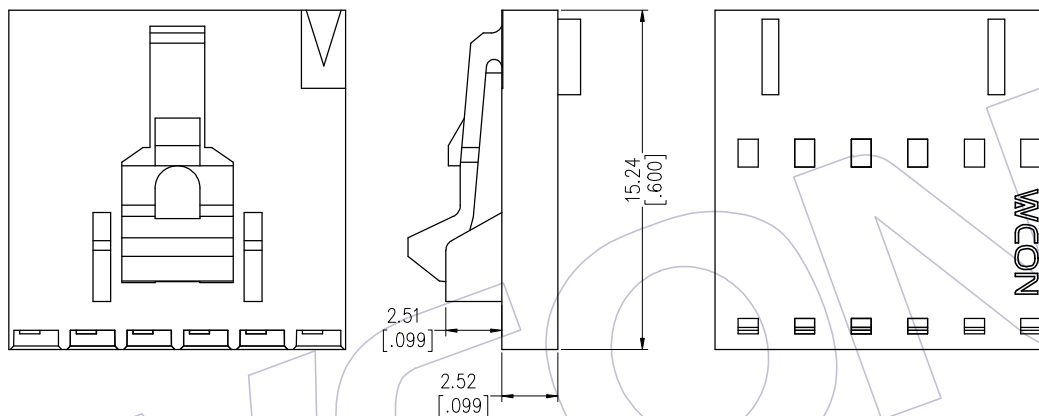
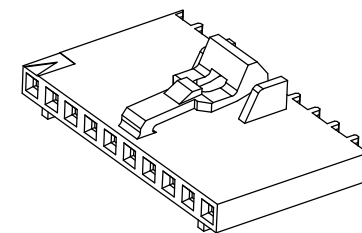


HSF

NOTES:

Rated Current:3.0AMP
 Voltage Rating:250V AC/DC
 Current Rating:2.5A AC/DC
 Contact Resistance:20mΩ max
 Withstand Voltage:1000V AC/Minute
 Insulation Resistance:1000MΩ min
 Operation Temperature:-40℃ to +105℃
 Insulator Material:PBT UL94V-0
 Use with:WF2542-T
 Mated With:WF2542-Wafer



Specification & Ordering Information:

Circuit	Part No.	Dimension	
		A	B
02	WF2542-H02X01	2.54	4.98
03	WF2542-H03X01	5.08	7.52
04	WF2542-H04X01	7.62	10.06
05	WF2542-H05X01	10.16	12.60
06	WF2542-H06X01	12.70	15.14
07	WF2542-H07X01	15.24	17.68
08	WF2542-H08X01	17.78	20.22
09	WF2542-H09X01	20.32	22.76
10	WF2542-H10X01	22.86	25.30
11	WF2542-H11X01	25.40	27.84
12	WF2542-H12X01	27.94	30.38
13	WF2542-H13X01	30.48	32.92
14	WF2542-H14X01	33.02	35.46
15	WF2542-H15X01	35.56	38.00
16	WF2542-H16X01	38.10	40.54
17	WF2542-H17X01	40.64	43.08
18	WF2542-H18X01	43.18	45.62
19	WF2542-H19X01	45.72	48.16
20	WF2542-H20X01	48.26	50.70
21	WF2542-H21X01	50.80	53.24
22	WF2542-H22X01	53.34	55.78
23	WF2542-H23X01	55.88	58.32
24	WF2542-H24X01	58.42	60.86
25	WF2542-H25X01	60.96	63.40

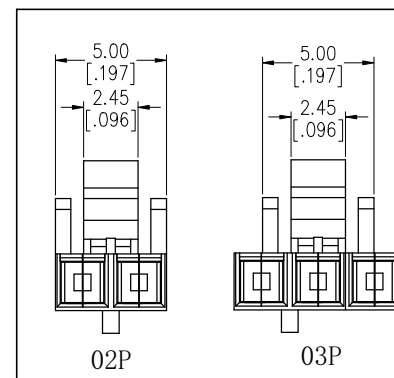
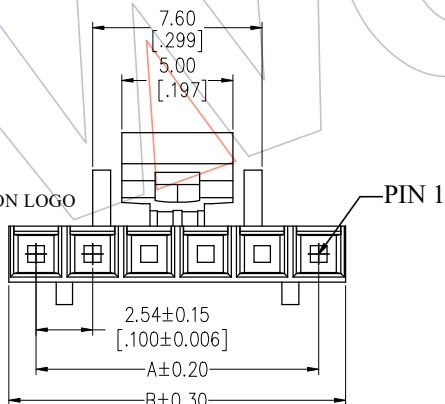
Ordering Information

WF 2542 - H XX X 0 1 X

No. of pins
02pin~25pin

Color
B=Black

LOGO
W=WCON
Blank:Without/WCON LOGO



REV	DATE	MODIFICATION DESCRIPTION	CHANGE	DIM	TOL	APPROVE	DATE	SHEET	PROJ.	PART NO.	TITLE:
A3	2022/01/22	增加WCON LOGO	LZH	OPERATION		DRAW	DATE	SCALE	FIT	SEE TAB	2.54mm CD-ROM WAFER HOUSING
A2	2020/08/17	增加结构示意图	DUAN	x.x	±0.40	LZH	2022/01/22	UNIT	mm		
A1	2013/04/12	增加2、3PIN结构示意图	—	x.xx	±0.25	CHECK	DATE	SIZE	A4		
A0	2012/09/07	NEW	—	x.xxx	±0.15	APPROVE	DATE	SHEET	1/1		
REV	DATE	MODIFICATION DESCRIPTION	CHANGE	DIM	TOL	APPROVE	DATE	SHEET	PROJ.	Customer NO.	

WCON

Http: www.wcon.com

WCON-Dongguan
Tel: +86 769 85358920
Fax: +86 769 85358915
E-mail: sales@wcon.com

WCON-Kunshan
Tel: +86 512 57468408
Fax: +86 512 57468468
E-mail: salesk@wcon.com