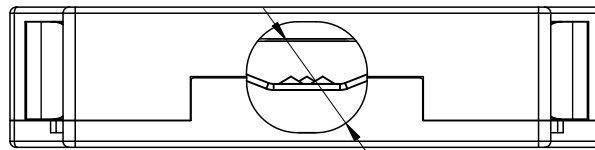
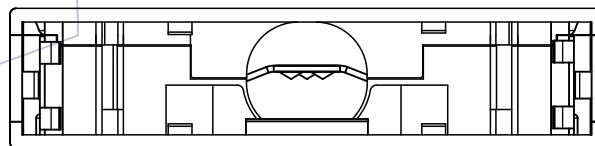
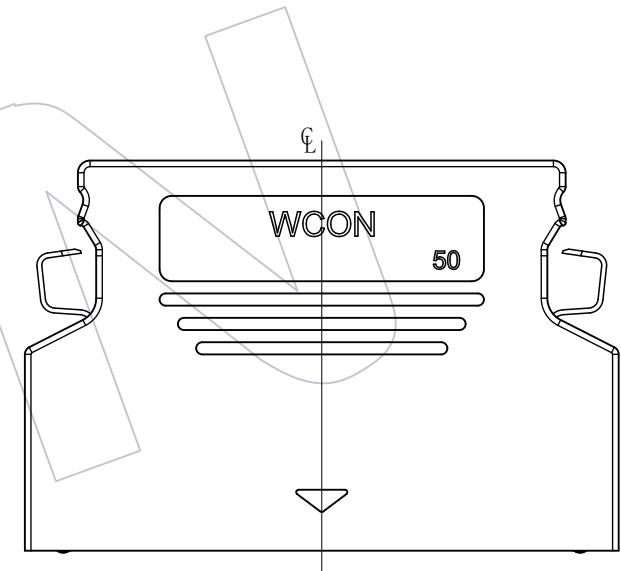
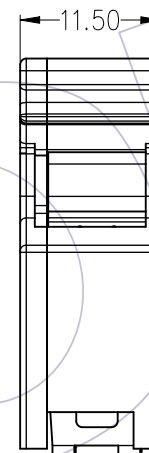
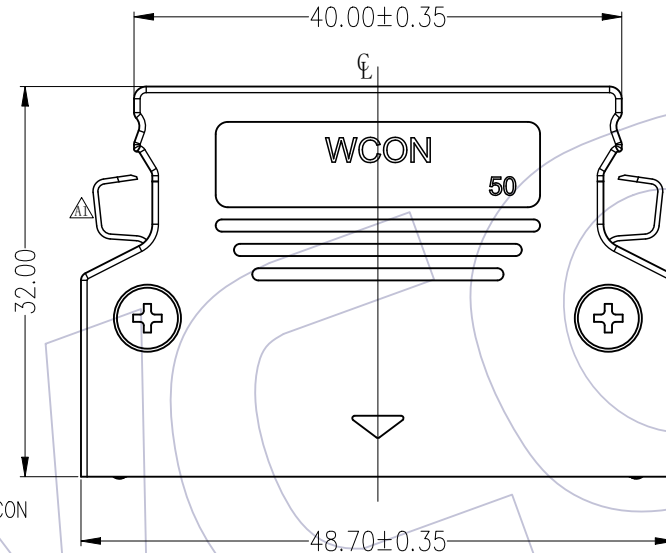


HSF



∅8.38



Ordering Information

6328M- 050 S 00 M 0 01 W

NO.of pins 50P
 Contact Plating 00=NO contact
 Shell material M=Metal
 Wcon Internal Code: 01
 Packing 0=BAG
 W=W/T WCON

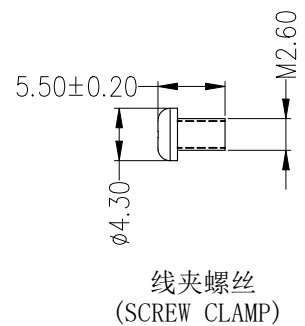
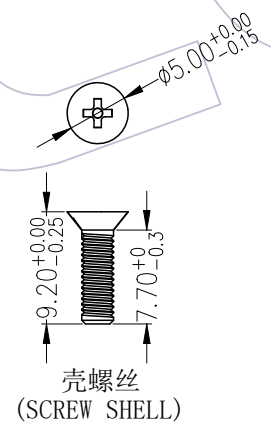
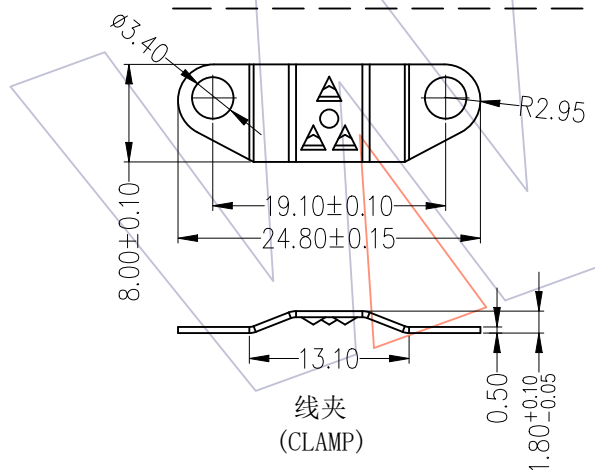
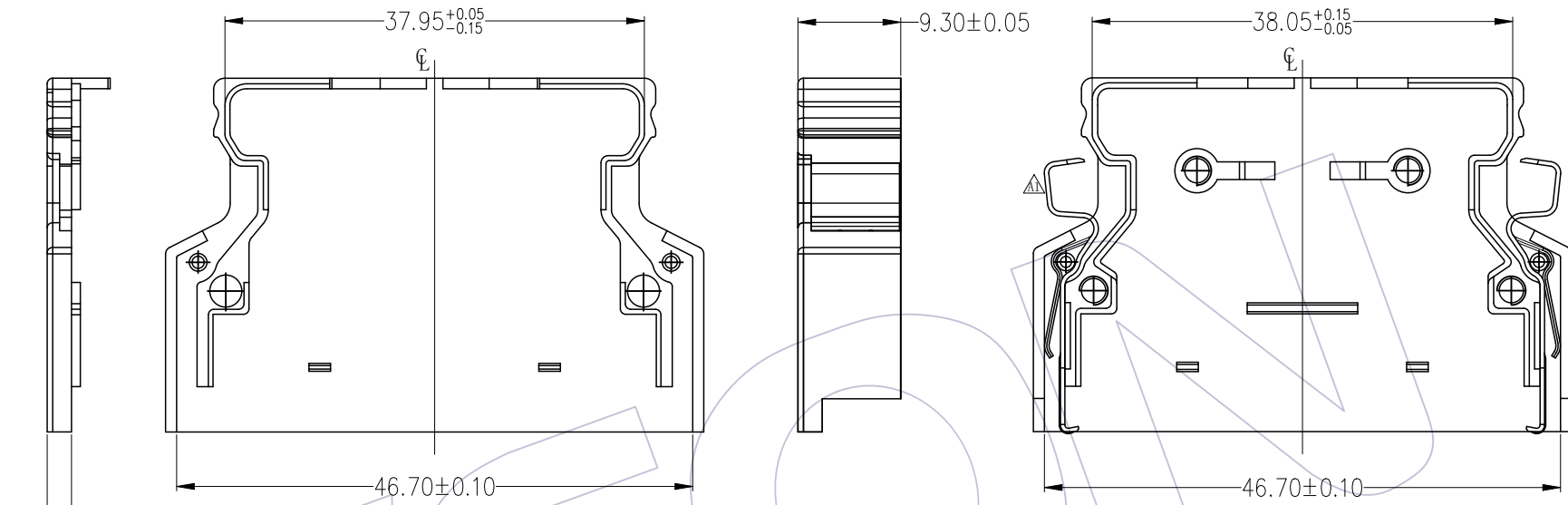
(6)	LOWER SHELL	M6328M-050SNI02W	1	锌合金, 镀高磷镍
(5)	SIDE BUCKLE SHRAPNEL	K6328M-SM002 Δ	2	SUS,T=0.40mm
(4)	CLAMP	B6326-050PNI01	1	C5191-H,Plating Ni
(3)	SCREW CLAMP	L6326-SNI01	2	SUS,M2.6,Plating Ni
(2)	SCREW SHELL	L6328M-SNI01	2	SUS,M2.6,Plating Ni
(1)	UPPER SHELL	M6328M-050SNI01W	1	锌合金, 镀高磷镍
ITEM	DESCRIPTION	P/N	Q'TY	MATERIALS

				OPERATION	DRAW	DATE	SCALE	FIT	PART NO.
				X.X ±0.40	NYF	2023/10/24	UNIT	mm	6328M-050S00M001W
A1	2023/10/24	Modify	/	X.XX ±0.25	CHECK	DATE	SIZE	A4	TITLE:
A0	2022/03/03	NEW	/	X.XXX ±0.15	APPROVE	DATE	SHEET	1/3	SCSI ASSEMBLE(50PIN) (6PCS)
REV	DATE	MODIFICATION DESCRIPTION	CHANGE	Angle ± 3°			PROJ.	⊕	Customer NO.
				DIM TOL					

WCON
 Http: www.wcon.com

WCON-Dongguan Tel: +86 769 85358920
 WCON-Kunshan Tel: +86 512 57468408
 Fax: +86 769 85358915 Fax: +86 512 57468468
 E-mail: sales@wcon.com E-mail: salesks@wcon.com

HSF

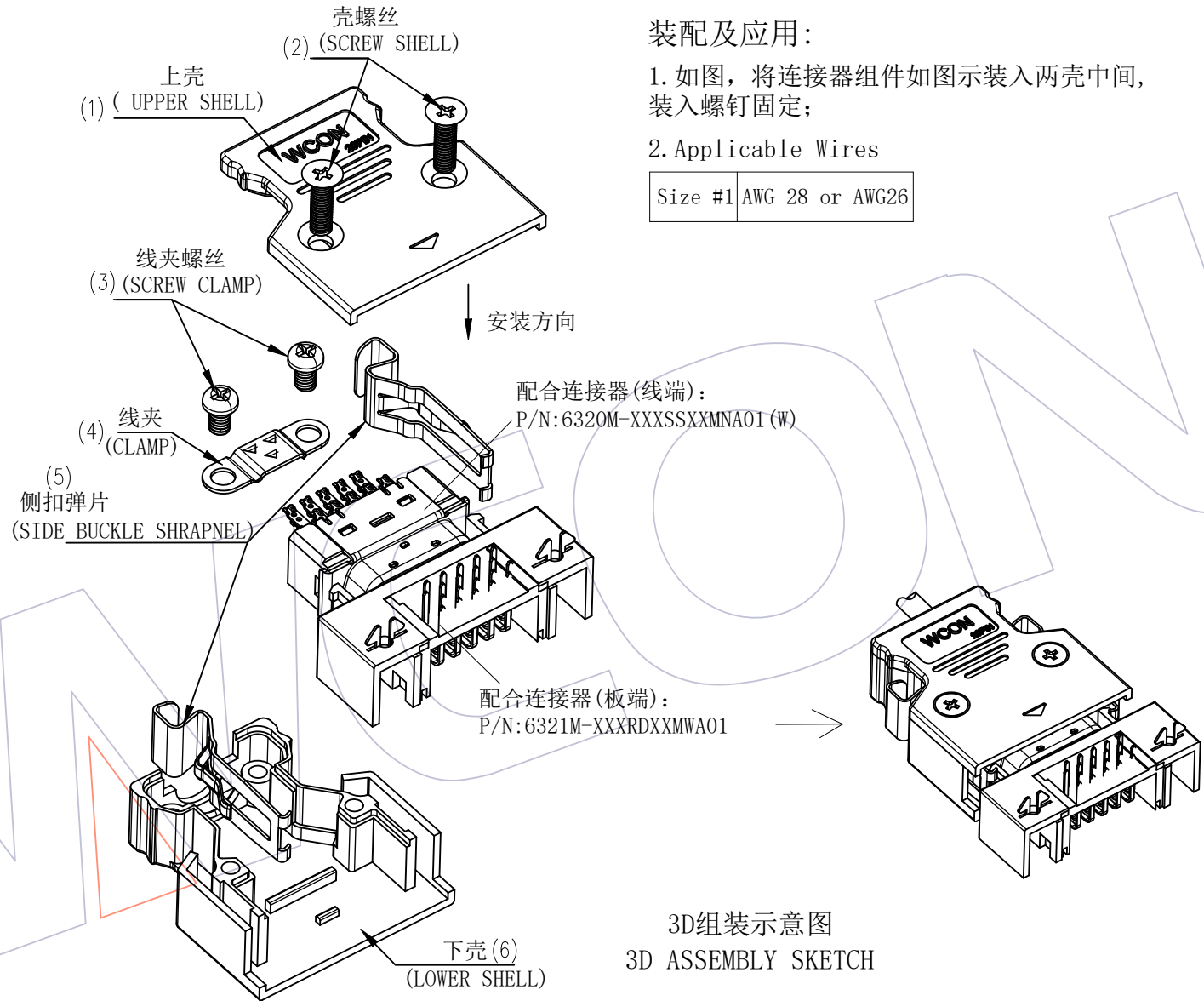


				OPERATION	DRAW	DATE	SCALE	FIT	PART NO.
				X.X ±0.40	NYF	2023/10/24	UNIT	mm	6328M-050S00M001W
A1	2023/10/24	Modify	/	X.XX ±0.25	CHECK	DATE	SIZE	A4	TITLE:
A0	2022/03/03	NEW	/	X.XXX ±0.15	APPROVE	DATE	SHEET	2/3	SCSI ASSEMBLE(50PIN) (6PCS)
REV	DATE	MODIFICATION DESCRIPTION	CHANGE	Angle ± 3°			PROJ.	⊕	Customer NO.
				DIM TOL					

WCON
Http: www.wcon.com

WCON-Dongguan WCON-Kunshan
Tel: +86 769 85358920 Tel: +86 512 57468408
Fax: +86 769 85358915 Fax: +86 512 57468468
E-mail: sales@wcon.com E-mail: sales@wcon.com

HSF



装配及应用:

1. 如图, 将连接器组件如图示装入两壳中间, 装入螺钉固定;

2. Applicable Wires

Size #1 AWG 28 or AWG26

3D组装示意图
3D ASSEMBLY SKETCH

REV	DATE	MODIFICATION DESCRIPTION	CHANGE
A1	2023/10/24	Modify	/
A0	2022/03/03	NEW	/

OPERATION	DRAW	DATE
X.X ±0.40	NYF	2023/10/24
X.XX ±0.25	CHECK	DATE
X.XXX ±0.15	APPROVE	DATE
Angle ± 3°		
DIM TOL		

SCALE	FIT	PART NO.
UNIT mm		6328M-050S00M001W
SIZE A4		TITLE: SCSI ASSEMBLY(50PIN) (6PCS)
SHEET 3/3		Customer NO.
PROJ.		

WCON
Http: www.wcon.com

WCON-Dongguan Tel: +86 769 85358920
WCON-Kunshan Tel: +86 512 57468408
Fax: +86 769 85358915 Fax: +86 512 57468468
E-mail: sales@wcon.com E-mail: salesks@wcon.com