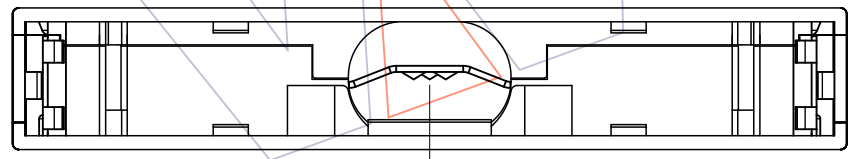
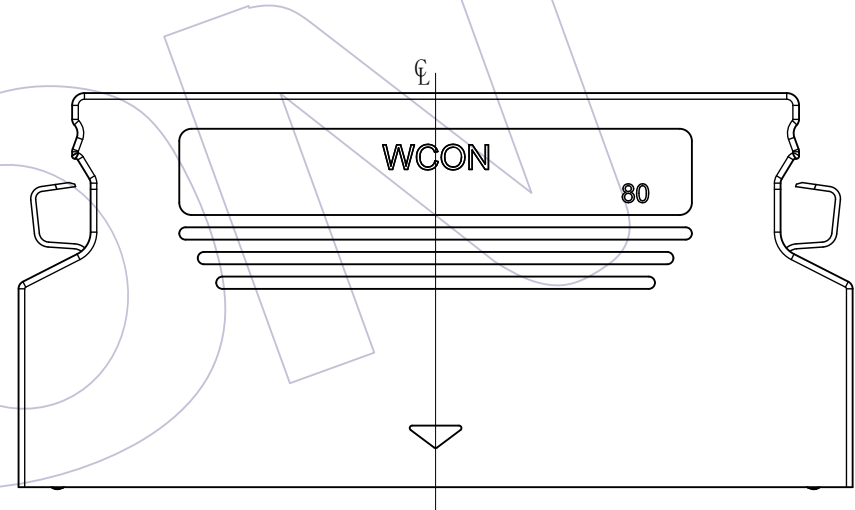
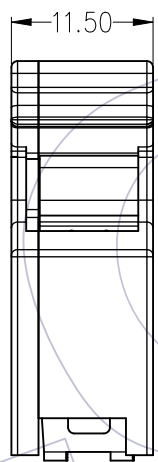
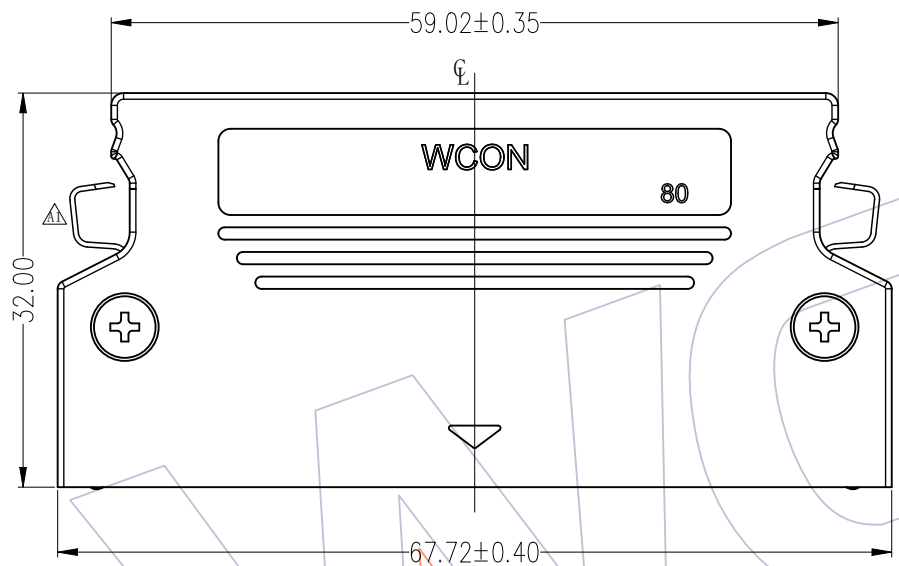
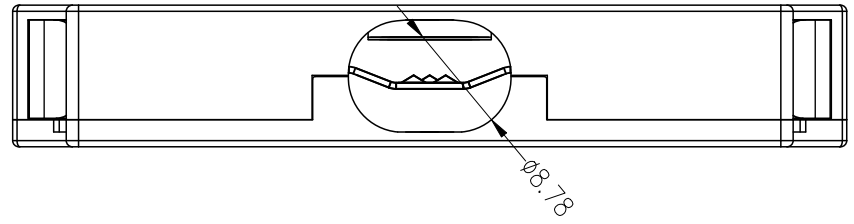


1 2 3 4 5 6 7 8 9 10

Ordering Information

6328M- 080 S 00 M 0 01 W

NO.of pins 80P
 Shell material M=Metal
 Wcon Internal Code: W
 Contact Plating 00=NO contact
 Packing 0=BAG
 W=W/T WCON



(6)	LOWER SHELL	M6328M-080SNI02W	1	锌合金, 镀高磷镍
(5)	SIDE BUCKLE SHRAPNEL	K6328M-SM002	2	SUS,T=0.40mm
(4)	CLAMP	B6326-050PNI01	1	C5191-H,Plating Ni
(3)	SCREW CLAMP	L6326-SNI01	2	SUS,M2.6,Plating Ni
(2)	SCREW SHELL	L6328M-SNI01	2	SUS,M2.6,Plating Ni
(1)	UPPER SHELL	M6328M-080SNI01W	1	锌合金, 镀高磷镍
ITEM	DESCRIPTION	P/N	Q'TY	MATERIALS

REV	DATE	MODIFICATION DESCRIPTION	CHANGE
A1	2023/10/25	Modify	/
A0	2022/03/03	NEW	/

OPERATION	OPERATION
X.X	± 0.40
X.XX	± 0.25
X.XXX	± 0.15
Angle	$\pm 3^\circ$
DIM	TOL

DRAW	DRAW
NYF	CHECK
	APPROVE

DATE	DATE
2023/10/25	

SCALE	FIT
UNIT	mm
SIZE	A4
SHEET	1/3
PROJ.	

PART NO.	TITLE:
6328M-080S00M001W	SCSI ASSEMBLE(80PIN) (6PCS)
Customer NO.	

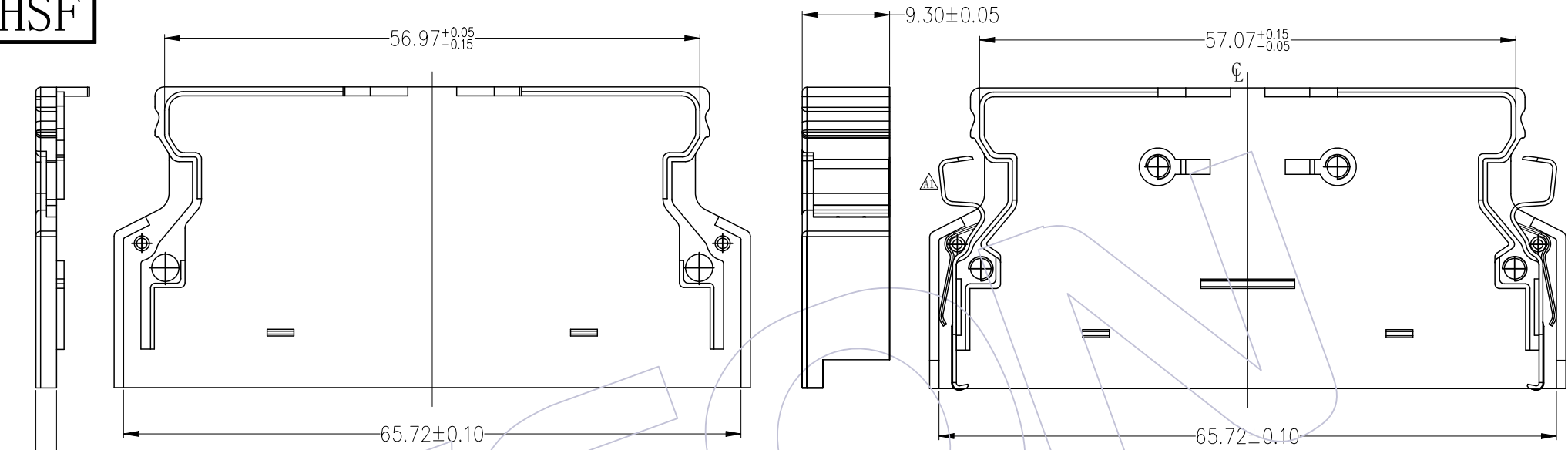


Http: www.wcon.com

WCON-Dongguan Tel: +86 769 85358920 Fax: +86 769 85358915 E-mail: sales@wcon.com	WCON-Kunshan Tel: +86 512 57468408 Fax: +86 512 57468468 E-mail: salesks@wcon.com
---	--

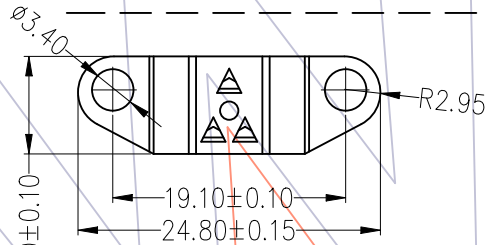
1 2 3 4 5 6 7 8 9 10

HSF

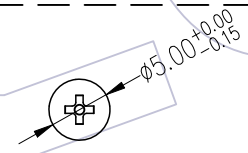


上壳
UPPER SHELL

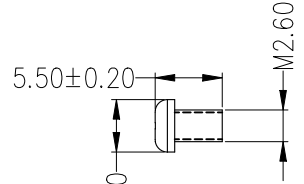
下壳及侧弹片
LOWER SHELL &
SIDE BUCKLE SHRAPNEL



线夹
(CLAMP)



壳螺丝
(SCREW SHELL)



线夹螺丝
(SCREW CLAMP)

REV	DATE	MODIFICATION DESCRIPTION	CHANGE
A1	2023/10/25	Modify	/
A0	2022/03/03	NEW	/

OPERATION	ANGLE	TOL
DRAW		
CHECK		
APPROVE		

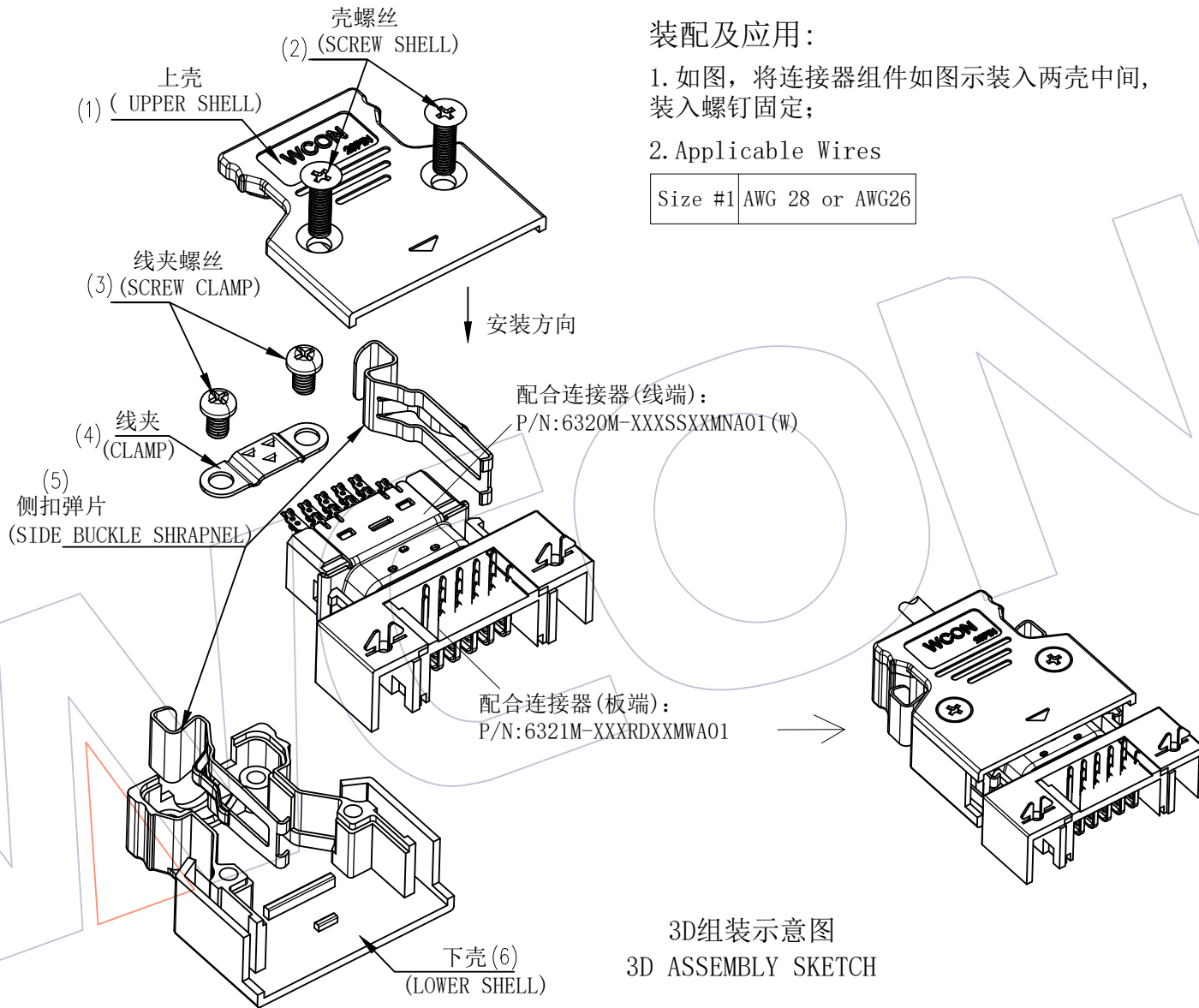
DATE	SCALE	FIT
2023/10/25		
	UNIT	mm
	SIZE	A4
	SHEET	2/3
	PROJ.	

PART NO.	TITLE:
6328M-080S00M001W	SCSI ASSEMBLE(80PIN) (6PCS)
Customer NO.	

WCON
Http: www.wcon.com

WCON-Dongguan Tel: +86 769 85358920
WCON-Kunshan Tel: +86 512 57468408
Fax: +86 769 85358915 Fax: +86 512 57468468
E-mail: sales@wcon.com E-mail: sales@wcon.com

HSF



装配及应用:

1. 如图, 将连接器组件如图示装入两壳中间, 装入螺钉固定;

2. Applicable Wires

Size #1	AWG 28 or AWG26
---------	-----------------

REV	DATE	MODIFICATION	DESCRIPTION	CHANGE	OPERATION	DRAW	DATE	SCALE	FIT	PART NO.
A1	2023/10/25	Modify	/		X.X ±0.40	NYF	2023/10/25	UNIT	mm	6328M-080S00M001W
A0	2022/03/03	NEW	/		X.XX ±0.25	CHECK	DATE	SIZE	A4	TITLE: SCSI ASSEMBLE(80PIN) (6PCS)
					X.XXX ±0.15	APPROVE	DATE	SHEET	3/3	Customer NO.
					Angle ± 3°			PROJ.		
					DIM TOL					

WCON
Http: www.wcon.com

WCON-Dongguan
Tel: +86 769 85358920
Fax: +86 769 85358915
E-mail: sales@wcon.com

WCON-Kunshan
Tel: +86 512 57468408
Fax: +86 512 57468468
E-mail: sales@wcon.com