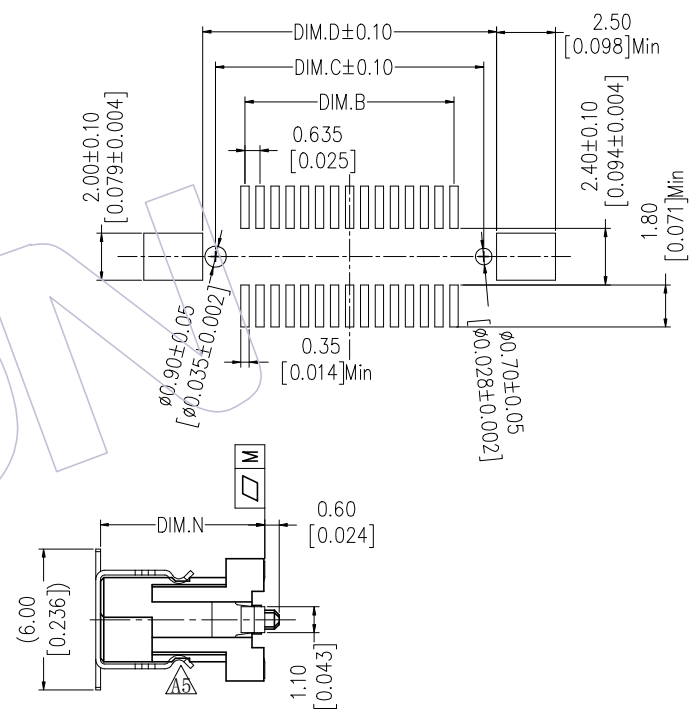
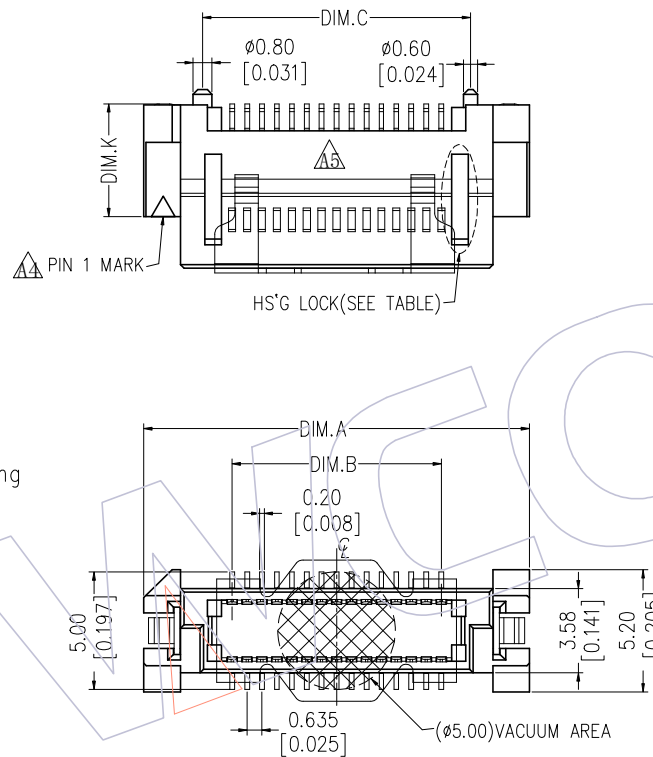


HSF

Recommended P.C.B Layout (Top Side)
(PCB BOARD TOLERANCE ± 0.05)

- NOTES:
- Electrical Performance:
 - Current Rating: 0.5 A at AC 100V.
 - Withstand Voltage: 250V AC.
 - Contact Resistance: See Table. \triangle
 - Insulation Resistance: 1000M Ω Min.
 - Operation Temperature: -55°C to +85°C
 - Material:
 - Housing: LCP; Black/Natural; UL94V-0. \triangle
 - Contact: Phosphor Bronze, T=0.20mm.
 - Fitting Nail: Brass, T=0.25mm.
 - Metal Cap: Stainless Steel, T=0.20mm.
 - Finish:
 - Contact: Gold Plating On Contact Area; Matte Tin Plating On Solder Tails, Over Ni.
 - Fitting Nail: Sn Plating Over Ni Under Plating

Flatness: <80 Pins The "M" Is 0.12mm MAX
 ≥80 Pins The "M" Is 0.15mm MAX



Ordering Information

3660-PXXX - XXX XX R 01

No. of Pins Housing High Contact Plating R=Tape&Reel+CAP

G1=3u"Gold
 G2=5u"Gold
 G3=10u"Gold
 S1=3u"Gold/Tin
 S2=5u"Gold/Tin
 S3=10u"Gold/Tin

ASS'Y HIGH(H)	Before Test	After Test
6.0 ~ 7.0	≤ 40m Ω	≤ 60m Ω
8.0 ~ 10.0	≤ 50m Ω	≤ 70m Ω
11.0 ~ 13.0	≤ 60m Ω	≤ 80m Ω
14.0 ~ 16.0	≤ 70m Ω	≤ 90m Ω

PART NO.	DIM.N	DIM.K
3660-PXXX-050XXR01	5.00	2.80
3660-PXXX-060XXR01	6.00	3.80
3660-PXXX-070XXR01	7.00	4.80
3660-PXXX-080XXR01	8.00	5.80
3660-PXXX-090XXR01	9.00	6.80

ASS'Y HIGH(H)	PLUG(H1)	SOCKET(H2)
6.00	5.00	4.00
7.00	6.00	
8.00	7.00	
9.00	8.00	
10.00	9.00	
12.00	5.00	10.00
13.00	6.00	
14.00	7.00	
15.00	8.00	
16.00	9.00	

REV	DATE	MODIFICATION DESCRIPTION	CHANGE	OPERATION	DRAW	DATE	SCALE	FIT	PART NO.
A5	2017/07/21	Modify	\triangle	OPERATION	DRAW	DATE	SCALE	FIT	PART NO.
A4	2014/05/07	Modify	\triangle	x.x ±0.40	Ding	2017/07/21	UNIT	mm	3660-PXXX-XXXXXR01
A3	2014/03/07	Modify The Contact Resistance	\triangle	x.xx ±0.25	CHECK	DATE	SIZE	inch	TITLE:
A0	2012/11/20	NEW	—	x.xxx ±0.15	APPROVE	DATE	SHEET	A4	0.635mm BTB "M" TYPE MALE 180° SMT \triangle
				Angle ± 3°			PROJ.	1/2	Customer NO.
				DIM TOL					

WCON
 Http: www.wcon.com

WCON-Dongguan WCON-Kunshan
 Tel: +86 769 85358920 Tel: +86 512 57468408
 Fax: +86 769 85358915 Fax: +86 512 57468468
 E-mail: sales@wcon.com E-mail: salesks@wcon.com