

HSF

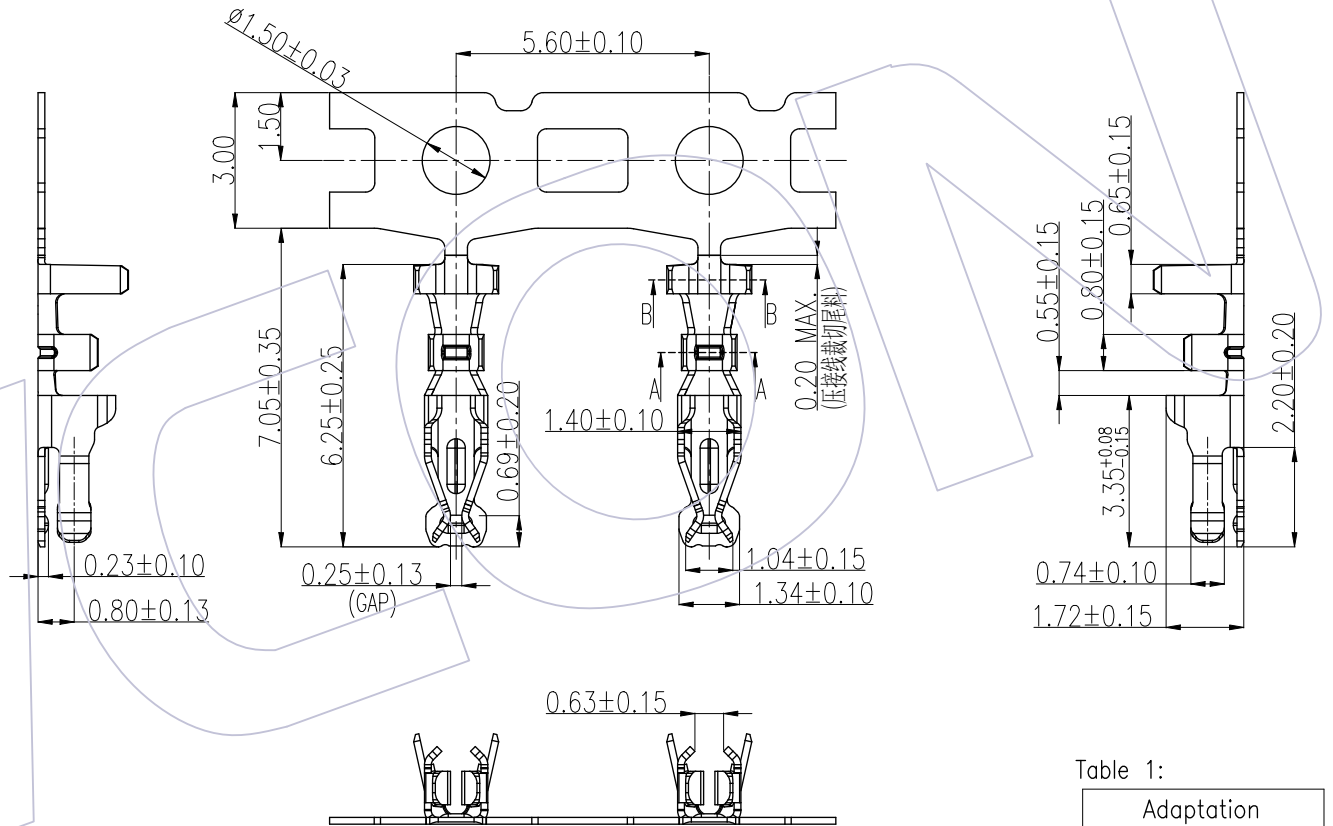
NOTES:

1. Rated Current: 2A-AWG24# (AT 30°C Rise, Room Temp 22.1°C)
2. Contact Resistance: 20mΩ Max.
3. Applicable Wire: AWG22#, AWG#24~AWG#30
4. Operating Temperature Range: Components: -40°C to +105°C
5. MAXIMUM No OF SPLICES PER REEL: 2.
6. QTY PER REEL: 10,000 +300/-0 PCS MIN.

Contact Material: Copper alloy

Contact plating:

- xxu" Gold On Contact Area,
(See Ordering Information)
- 30u" Nickel Underplating Overall



Ordering Information

3121-T P XX OX

- Series code: 3121
- Genre Code: T=Terminal
- Material: P=Phosphor Bronze
- AWG CODE:
03=AWG22#
04=AWG24-30#
- plating:
SN=50u" TIN
S0=Gold Flash
S2=5u" Gold
S4=15u" Gold
S5=30u" Gold

Table 1:

Adaptation
3121-2HXXBOX
3121A-2HXXBOX
3121B-2HXXBOX

Rev	Date	Modification scription	Change	Operation	Draw	Date	Scale	FIT	Part No.
A0	2022/05/26	NEW RELEASE	Andrey	x.X ±0.40	Andrey.Yang	2022/05/26	Unit	mm	3121-TPXXOX
				x.XX ±0.25	Check	Date	Size	A4	Title:
				x.XXX ±0.15	Approve	Date	Sheet	1/2	2.0mm Housing Terminal 'M' TYPE, Crimp Style
				Angle ± 3°			PROJ.	⌀	Customer No.
				DIM TOL					

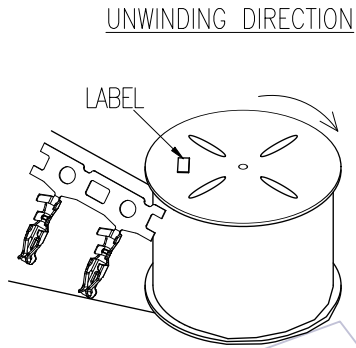
WCON

Http: www.wcon.com

WCON-Dongguan Tel: +86 769 85358920 Fax: +86 769 85358915 E-mail: sales@wcon.com

WCON-Kunshan Tel: +86 512 57468408 Fax: +86 512 57468468 E-mail: salesks@wcon.com

HSF



	DETAIL:A-A SCALE:2/1	DETAIL:B-B SCALE:2/1
Apply to AWG24-30#		
Apply to AWG22#		

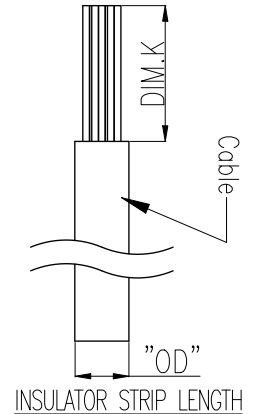
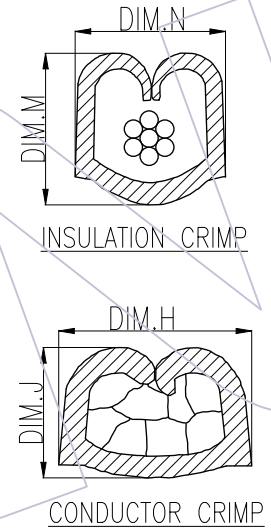


TABLE.1:

PART NO.	AWG	PULL FORCE	STRANDS/AWG	OD	H	J	N	M	K
3121-TPXX03	AWG22	39.2N	7/30	1.40 MAX	1.20~1.30	0.70~0.78	1.65~1.85	1.47	1.45
3121-TPXX04	AWG24	29.4N	7/32	1.40 MAX	0.90~1.0	0.60~0.65	1.25~1.35	1.35	
	AWG26	19.6N	7/34	1.20		0.59~0.64		1.35	
	AWG28	9.8N	7/36	1.00		0.56~0.61		1.30	
	AWG30	4.9N	7/38	0.80		0.53~0.58		1.30	

Rev	Date	Modification scription	Change	Operation	Draw	Date	Scale	FIT	Part No.
A0	2022/05/26	NEW RELEASE	Andrey	x.X ±0.40	Andrey.Yang	2022/05/26	Unit	mm	3121-TPXX0X
				x.XX ±0.25	Check	Date	Size	A4	Title:
				x.XXX ±0.15	Approve	Date	Sheet	2/2	2.0mm Housing Terminal 'M' TYPE, Crimp Style
				Angle ± 3°			PROJ.	⊕	Customer No.
				DIM TOL					

WCON

Http: www.wcon.com

WCON-Dongguan Tel: +86 769 85358920 Fax: +86 769 85358915 E-mail: sales@wcon.com

WCON-Kunshan Tel: +86 512 57468408 Fax: +86 512 57468468 E-mail: salesks@wcon.com