

# HSF

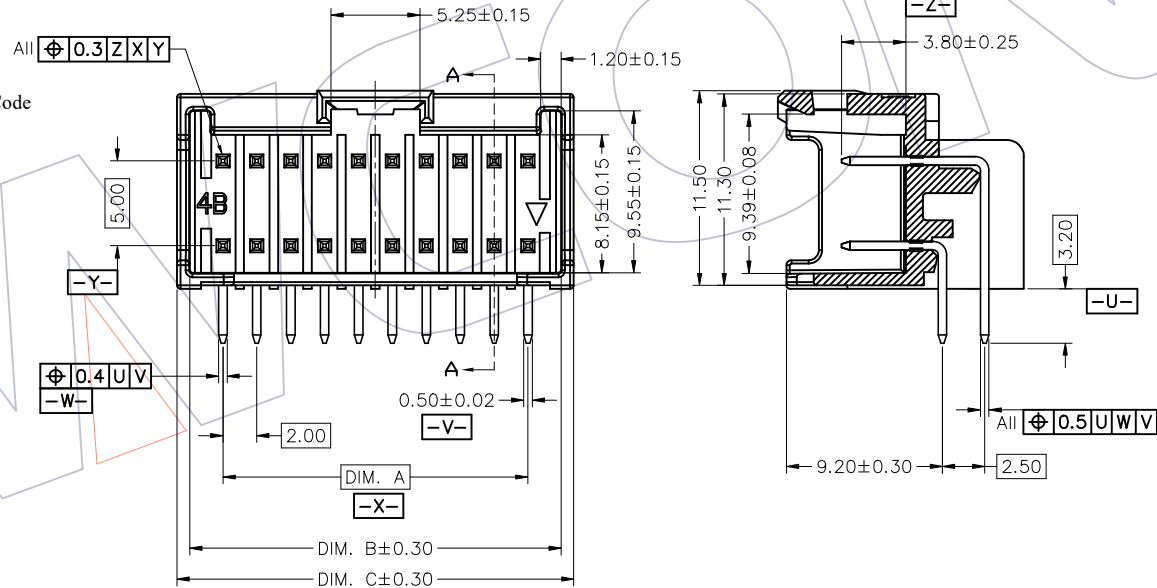
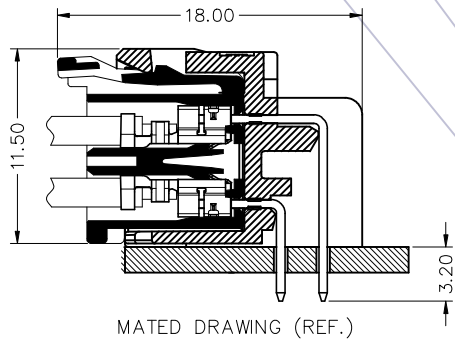
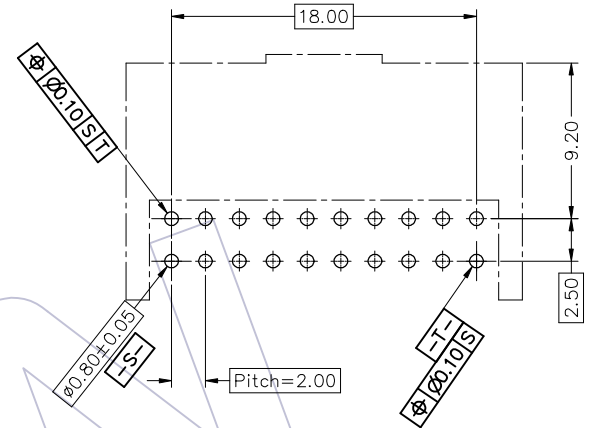
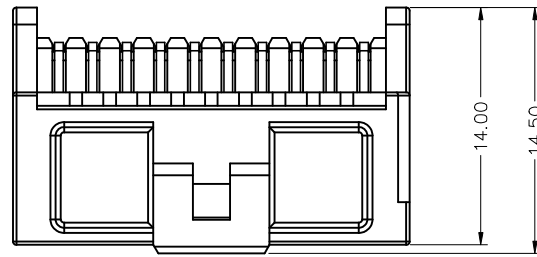
NOTES:  
 Rated Current: 3.0A AC/DC  
 Rated Voltage: 250V AC/DC  
 Contact Resistance: 20mΩ max  
 Withstand Voltage: 1000V AC/Minute  
 Insulation Resistance: 1000MΩ min  
 Operation Temperature: -40°C to +105°C

Contact Material: Brass  
 Contact plating: Au Or Sn over Ni  
 Insulator Material: PA66 UL94V-0

## Ordering Information

WF2007-2 WR XX X 0 1  
 Dual Row ————— Wcon Internal Code  
 Terminal shape ————— 0=PE Bag  
 WR: Wafer 90°  
 No. Of Pins per Row: ————— Colour  
 W=White  
 E=BEIGE

Recommended P.C.B Layout (Top Side)  
 (PCB BOARD TOLERANCE ±0.05)



Circuit	Part No.	Dimension		
		A	B	C
2*4	WF2007-2WR04W01	6.0	9.8	11.4
2*5	WF2007-2WR05W01	8.0	11.8	13.4
2*6	WF2007-2WR06W01	10.0	13.8	15.4
2*7	WF2007-2WR07W01	12.0	15.8	17.4
2*8	WF2007-2WR08W01	14.0	17.8	19.4
2*9	WF2007-2WR09W01	16.0	19.8	21.4
2*10	WF2007-2WR10W01	18.0	21.8	23.4
2*11	WF2007-2WR11W01	20.0	23.8	25.4
2*12	WF2007-2WR12W01	22.0	25.8	27.4
2*13	WF2007-2WR13W01	24.0	27.8	29.4
2*14	WF2007-2WR14W01	26.0	29.8	31.4
2*15	WF2007-2WR15W01	28.0	31.8	33.4
2*16	WF2007-2WR16W01	30.0	33.8	35.4
2*17	WF2007-2WR17W01	32.0	35.8	37.4
2*18	WF2007-2WR18W01	34.0	37.8	39.4
2*19	WF2007-2WR19W01	36.0	39.8	41.4
2*20	WF2007-2WR20W01	38.0	41.8	43.4

REV		DATE	MODIFICATION DESCRIPTION	CHANGE	OPERATION	DRAW	DATE	SCALE	PART NO.
A0	2020/05/16	NEW	-----		X.X ±0.40	LIU HUI	2020/05/16	1:1	WF2007-2WRXXX01
					X.XX ±0.25	CHECK	DATE	UNIT	TITLE:
					X.XXX ±0.15	APPROVE	DATE	mm	2.0*5.0mm Wafer, M Type Dual
					Angle ± 3°			inch	Row, R/A DIP Type W/T Post
					DIM TOL			SIZE	Customer NO.
								A4	
								SHEET	
								1/1	
								PROJ.	

**WCON**  
 Http: www.wcon.com  
 WCON-Dongguan Tel: +86 769 85358920  
 WCON-Kunshan Tel: +86 512 57468408  
 Fax: +86 769 85358915 Fax: +86 512 57468468  
 E-mail: sales@wcon.com E-mail: salesks@wcon.com