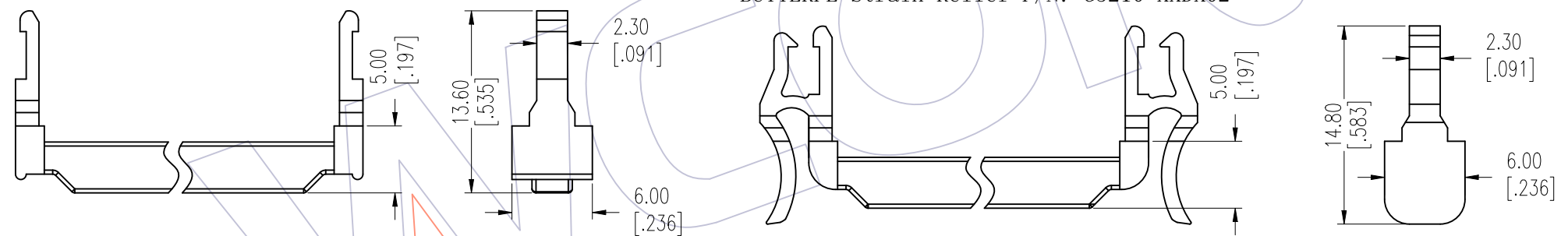


**HSF**

Strain Relief P/N: G5210-XXDX01

BUTTERFL Strain Relief P/N: G5210-XXDX02



REV	DATE	MODIFICATION DESCRIPTION	CHANGE	OPERATION		DRAW	DATE	SCALE	FIT	PART NO.
				X.X	±0.40					
A1	2022/05/19	Modify TITLE	-----	X.XX	±0.25	CHECK	DATE	SIZE	A4	TITLE: 2.54 IDC SOCKET (BOTH SIDE CONTACT)
A0	2021/02/23	NEW	-----	X.XXX	±0.15			SHEET	2/2	
				Angle	± 3'	APPROVE	DATE	PROJ.		Customer NO.
				DIM	TOL					

**WCON**

Http: [www.wcon.com](http://www.wcon.com)

WCON-Dongguan	WCON-Kunshan
Tel: +86 769 85358920	Tel: +86 512 57468408
Fax: +86 769 85358915	Fax: +86 512 57468468
E-mail: <a href="mailto:sales@wcon.com">sales@wcon.com</a>	E-mail: <a href="mailto:salesks@wcon.com">salesks@wcon.com</a>