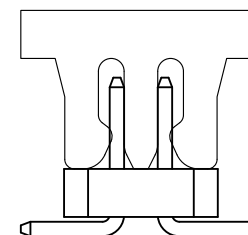
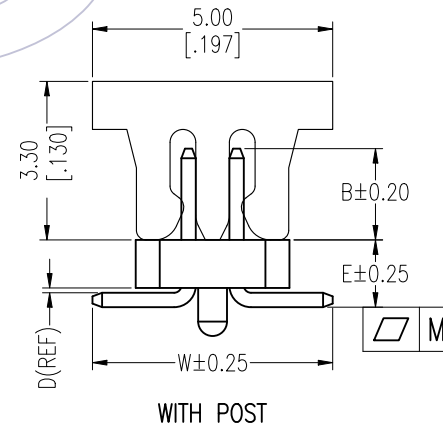
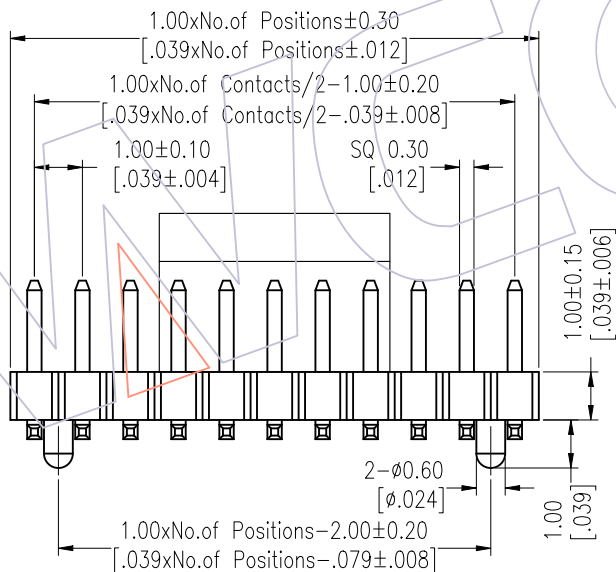
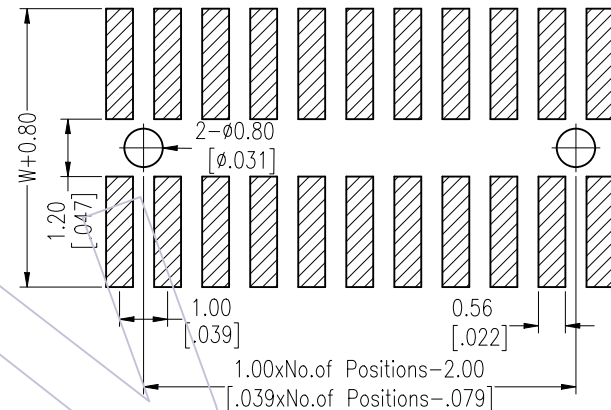
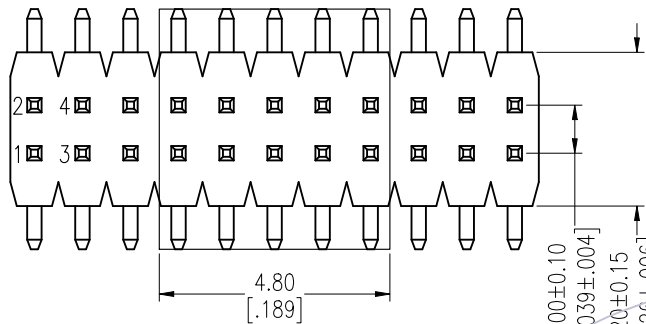


# HSF

NOTES:  
 Rated Current:0.75AMP.  
 Contact Resistance:30mΩ Max.  
 Withstand Voltage:500V AC/DC  
 Insulation Resistance:1000MΩ Min.  
 Operation Temperature:-40°C to +105°C

Contact Material:Brass  
 Contact Plating:Au Over Ni  
 Insulator Material:PA9T+33%G.F UL94V-0 BK

Recommended P.C.B Layout (Top Side)  
 (PCB BOARD TOLERANCE±0.05)



WITH POST

W/O POST

## Ordering Information

1510-12 XX XX M 050 C R XX

No. of Pins    Contact Plating    Pin Length    Insulator    Series No.  
 Per Row:02~50    G0=Gold Flash    L=B+D+1.0+ $\frac{W+L}{2}$     C=PA9T    01~99  
                          G3=10u"Gold    Standard:050=5.0  
                          G4=15u"Gold  
                          G5=30u"Gold  
                          SN=Tin  
                          SM=Matte Tin

Packing  
 T=Tube  
 P=Tube+CAP  
 R=Tape&Reel+CAP

Item	Pin Length	W	E	B
Standard	5.0	5.00	1.40	1.90
Alternate				

PIN(PerRow)	2-15P	16-30P	31-50P
M	0.10	0.15	0.18

REV	DATE	MODIFICATION DESCRIPTION	CHANGE	ANGLE	TOL	APPROVE	DATE	SCALE	Fit	PART NO.
A3	2023/02/01	Add Flatness	△3			Du Ying	2023/02/01	UNIT	mm [inch]	1510-12XXXXMXXXCXXX △2
A2	2018/01/05	MODIFY PART NO.	△2			William Chen	DATE	SIZE	A4	TITLE: 1.00 Pin Header, DUAL ROW, SMT, H=1.0
A1	2012/11/20	Modify the material	△1			-----	DATE	SHEET	1/1	Customer NO.
A0	2012/03/01	NEW	-----			-----	DATE	PROJ.	◆	

**WCON**  
 Http: www.wcon.com

WCON-Dongguan    WCON-Kunshan  
 Tel: +86 769 85358920    Tel: +86 512 57468408  
 Fax: +86 769 85358915    Fax: +86 512 57468468  
 E-mail: sales@wcon.com    E-mail: salesks@wcon.com