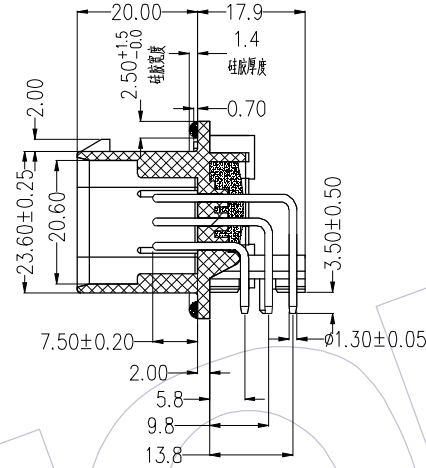
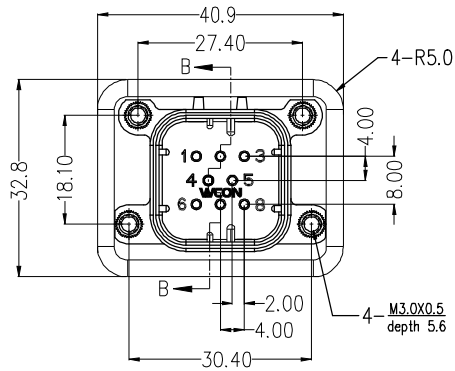
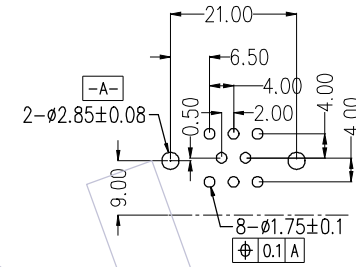


NOTES:

Rated Current: 5-8A  
 Rated Voltage: 250V AC  
 Contact Resistance: 10mΩ Max.  
 Withstand Voltage: 1000V  
 Insulation Resistance: 5000MΩ Min.  
 Operation Temperature:  
 Tin Plating: -40℃ to +125℃  
 Gold Plating: -40℃ to +125℃  
 Contact Material: Copper Alloy  
 Contact Plating: Sn or Au over Ni  
 Main Body Material: PBT+30%GF Black  
 Waterproof grade: IP68/IP69K (After installation)



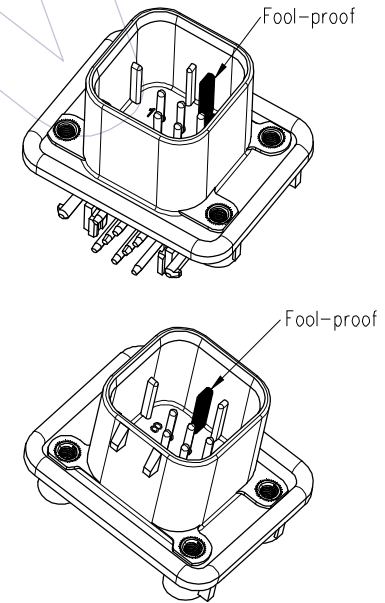
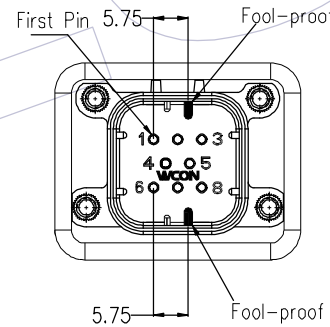
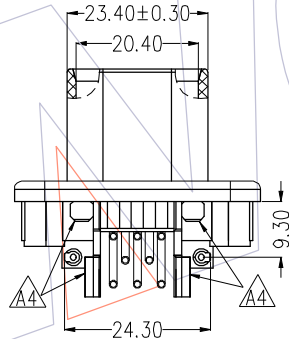
Recommended P.C.B Layout (Top Side)  
 (PCB BOARD TOLERANCE ±0.05 T=1.50mm)



### Ordering Information

74040-3MR 008 A B XX J A 1 W

**Contact Material:**  
 B=Brass  
**Body Material:**  
 A=PBT  
**Contact Plating:**  
 G0=1u" Gold  
 G3=10u" Gold  
 SN=Sn  
 SM=Matte Sn  
**A=Tray**  
**LOGO:**  
 W=With WCON LOGO  
 Blank=No LOGO



Matched Female Number

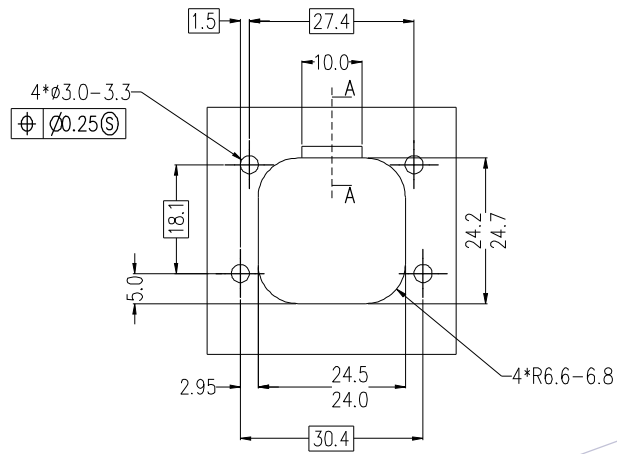
74040-3FC008AN00WA1(W)

REV	DATE	MODIFICATION DESCRIPTION	CHANGE	DIM	TOL	APPROVE	DATE	SCALE	UNIT	SHEET	PROJ.	PART NO.	TITLE	Customer NO.	
A4	2022.06.08	Modify	—	OPERATION		DRAW	2022.06.08	1:1	mm	1/2		74040-3MR008ABXXJA1(W)	8P 90° Three row automobile waterproof connector (Upgraded Version)		
A3	2020.08.03	Modify	—	x.x	±0.40	XSR									
A2	2019.12.02	Modify	—	x.xx	±0.25	CHECK									
A0	2018.11.09	NEW	—	x.xxx	±0.15										
				Angle	± 3°										

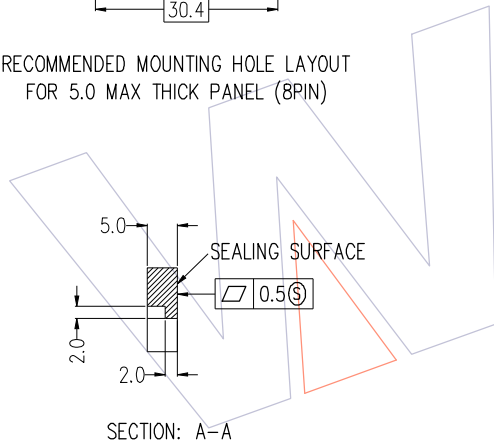
**WCON**

Http: www.wcon.com

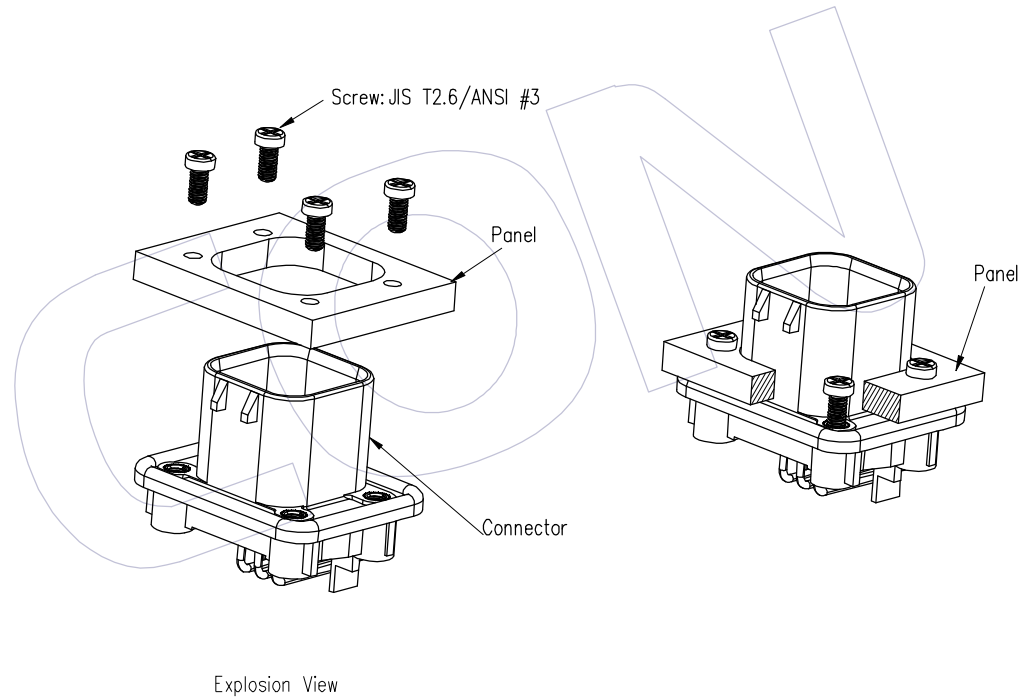
WCON-Dongguan Tel: +86 769 85358920 Fax: +86 769 85358915 E-mail: sales@wcon.com  
 WCON-Kunshan Tel: +86 512 57468408 Fax: +86 512 57468468 E-mail: salesks@wcon.com



RECOMMENDED MOUNTING HOLE LAYOUT FOR 5.0 MAX THICK PANEL (8PIN)



OPTIONAL CONSTRUCTION IF PANEL THICKENSS IS GREATER THAN 2.0



A4	2022.06.08	Modify	OPERATION	DRAW	DATE	SCALE	1:1	PART NO. 74040-3MR008ABXXJA1(W)
A3	2020.08.03	Modify	x.x ±0.40	XSR	2022.06.08	UNIT	mm	
A2	2019.12.02	Modify	x.xx ±0.25	CHECK	DATE	SIZE	A4	TITLE: 8P 90° Three row automobile vooterproof connector (Upgraded Version)
A0	2018.11.09	NEW	x.xxx ±0.15	APPROVE	DATE	SHEET	2/2	
REV	DATE	MODIFICATION DESCRIPTION	CHANGE	DIM	TOL	PROJ.		Customer NO.



Http: [www.wcon.com](http://www.wcon.com)

WCON-Dongguan Tel: +86 769 85358920 Fax: +86 769 85358915 E-mail: <a href="mailto:sales@wcon.com">sales@wcon.com</a>	WCON-Kunshan Tel: +86 512 57468408 Fax: +86 512 57468468 E-mail: <a href="mailto:salesks@wcon.com">salesks@wcon.com</a>
---	--