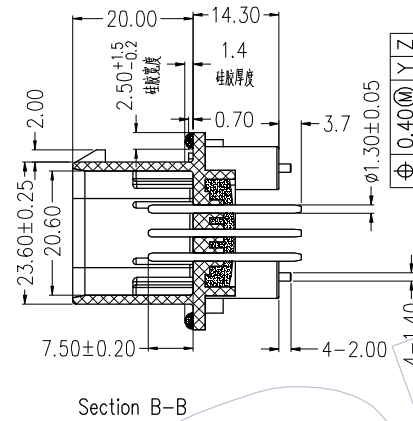
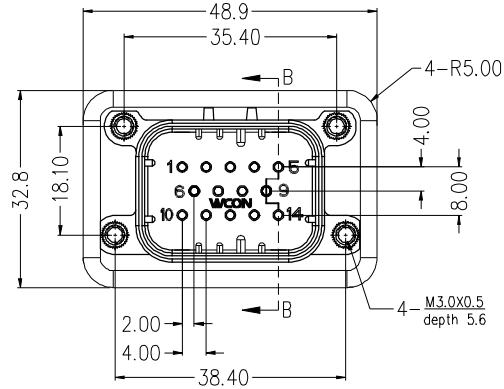


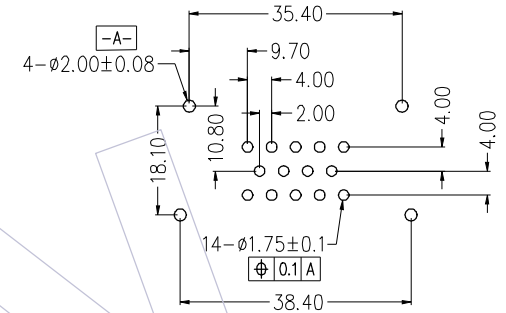
NOTES: 
 Rated Current: 5-8A
 Rated Voltage: 250V AC
 Contact Resistance: 10mΩ Max.
 Withstand Voltage: 1000V
 Insulation Resistance: 500MΩ Min.
 Operation Temperature:
 Tin Plating: -40℃ to +125℃
 Gold Plating: -40℃ to +125℃

Contact Material: Copper Alloy
 Contact Plating: Sn or Au over Ni
 Main Body Material: PBT+30%GF Black

Waterproof grade: IP68/IP69K (After installation)



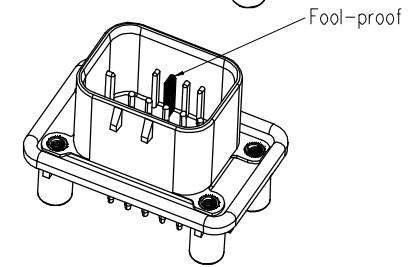
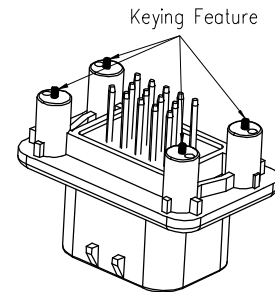
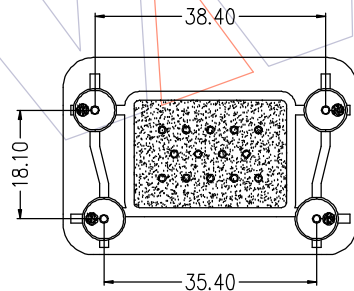
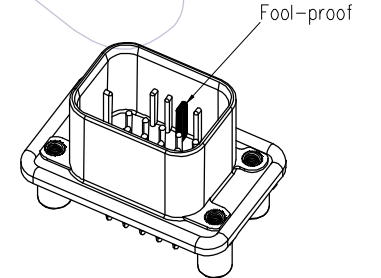
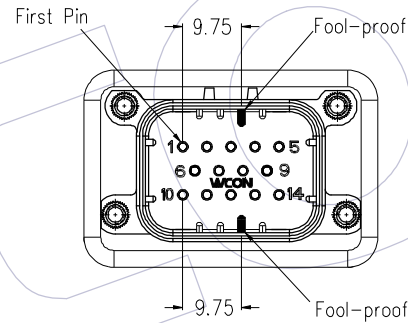
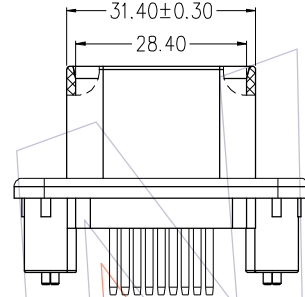
Recommended P.C.B Layout (Top Side)
 (PCB BOARD TOLERANCE ±0.05 T=1.50mm)



Ordering Information

74040-3MS 014 A B XX J A 1 W

Contact Material:
 B=Brass
Contact Plating:
 G0=1u" Gold
 G3=10u" Gold
 SN=Sn
 SM=Matte Sn
Body Material:
 A=PBT
A=Tray



Fool-proof Structure

Matched Female Number

74040-3FC014AN00WA1W

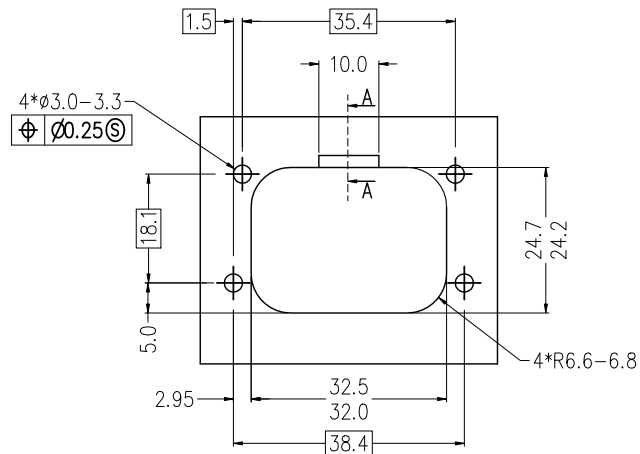
REV	DATE	MODIFICATION DESCRIPTION	CHANGE	OPERATION	DRAW	DATE	SCALE	PART NO.
A1	2020/08/03	Modify		x.x ±0.40	ZXC	2020/08/03	1:1	74040-3MS014ABXXJA1W
AO	2019/04/23	NEW		x.xx ±0.25	CHECK	DATE	mm	TITLE: 14P 180° Three row automobile waterproof connector (Upgraded Version)
				x.xxx ±0.15	APPROVE	DATE	A4	Customer NO.
				Angle ± 3°			1/2	
				DIM TOL			PROJ.	

WCON

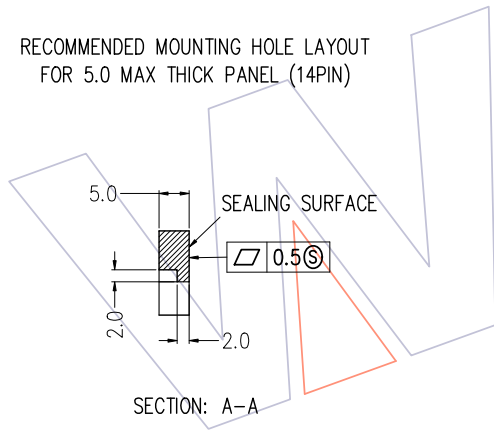
Http: www.wcon.com

WCON-Dongguan
 Tel: +86 769 85358920
 Fax: +86 769 85358915
 E-mail: sales@wcon.com

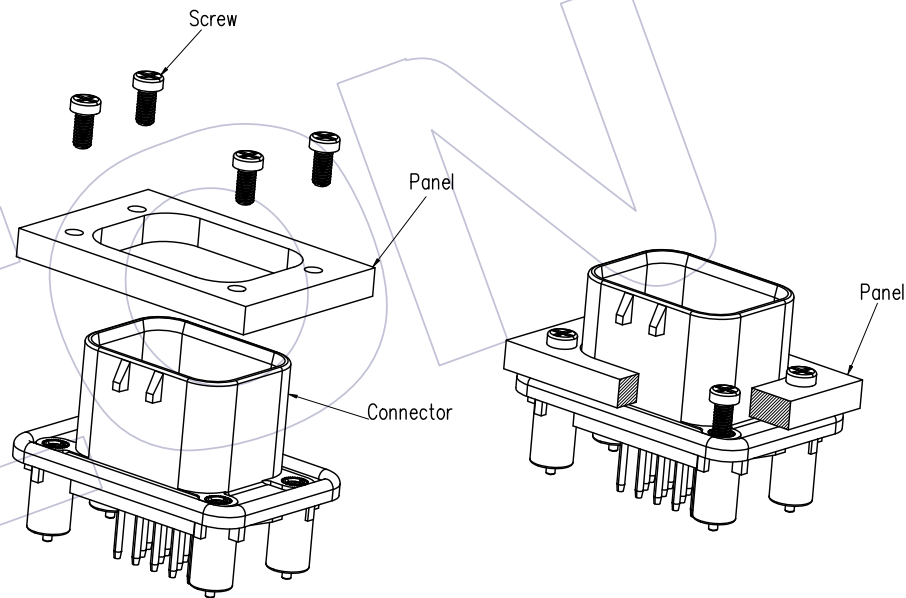
WCON-Kunshan
 Tel: +86 512 57468408
 Fax: +86 512 57468468
 E-mail: salesks@wcon.com




RECOMMENDED MOUNTING HOLE LAYOUT FOR 5.0 MAX THICK PANEL (14PIN)



OPTIONAL CONSTRUCTION IF PANEL THICKNESS IS GREATER THAN 2.0



Explosion View

				OPERATION	DRAW	DATE	SCALE	1:1	PART NO.	 Http: www.wcon.com	
				x.x ±0.40	ZXC	2020/08/03	UNIT	mm	74040-3MS014ABXXJA1W		
A1	2020/08/03	Modify		x.xx ±0.25	CHECK	DATE	SIZE	A4	TITLE: 14P 180° Three row automobile waterproof connector (Upgraded Version)		
AO	2019/04/23	NEW		x.xxx ±0.15	APPROVE	DATE	SHEET	2/2	Customer NO.		
REV	DATE	MODIFICATION DESCRIPTION	CHANGE	Angle ± 3°			PROJ.			WCON-Dongguan Tel: +86 769 85358920 Fax: +86 769 85358915 E-mail: sales@wcon.com	WCON-Kunshan Tel: +86 512 57468408 Fax: +86 512 57468468 E-mail: salesks@wcon.com
				DIM TOL							