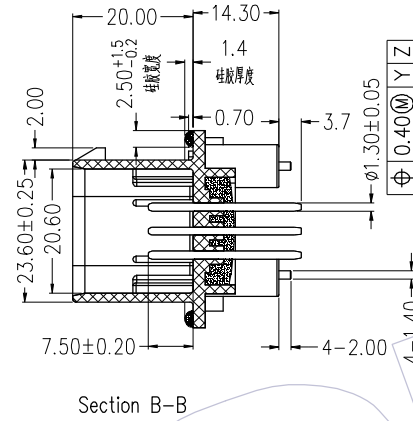
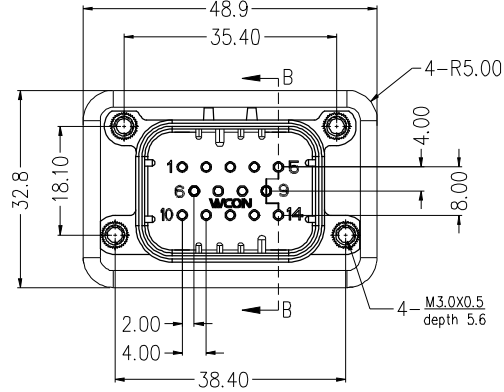


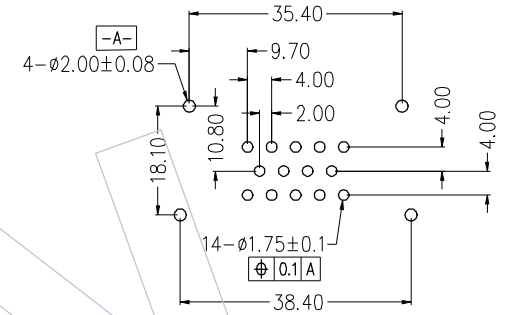
NOTES: 
 Rated Current: 5-8A
 Rated Voltage: 250V AC
 Contact Resistance: 10mΩ Max.
 Withstand Voltage: 1000V
 Insulation Resistance: 500MΩ Min.
 Operation Temperature:
 Tin Plating: -40℃ to +125℃
 Gold Plating: -40℃ to +125℃

Contact Material: Copper Alloy
 Contact Plating: Sn or Au over Ni
 Main Body Material: PBT+30%GF Grey

Waterproof grade: IP68/IP69K (After installation)



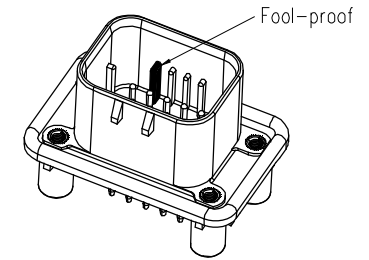
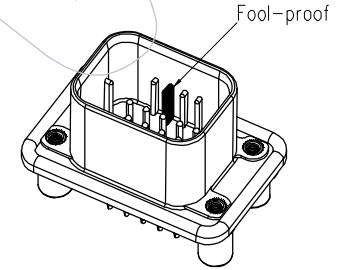
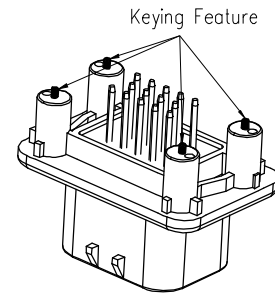
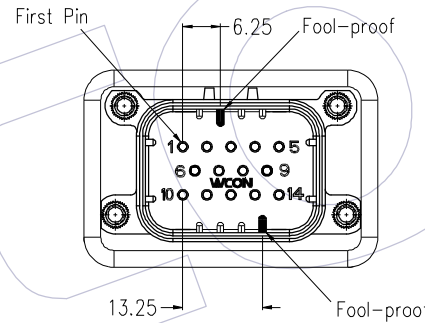
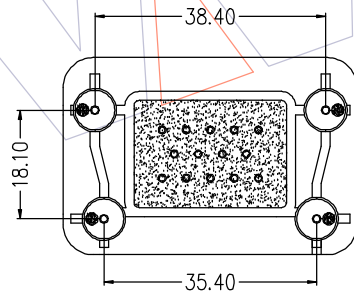
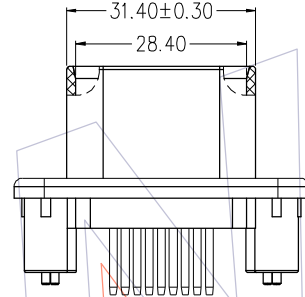
Recommended P.C.B Layout (Top Side)
 (PCB BOARD TOLERANCE ±0.05 T=1.50mm)



Ordering Information

74040-3MS 014 A B XX J A 3 W

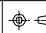
Contact Material:
 B=Brass
Contact Plating:
 G0=1u" Gold
 G3=10u" Gold
 SN=Sn
 SM=Matte Sn
Body Material:
 A=PBT
A=Tray



Fool-proof Structure

Matched Female Number

74040-3FC014AN00WA3W

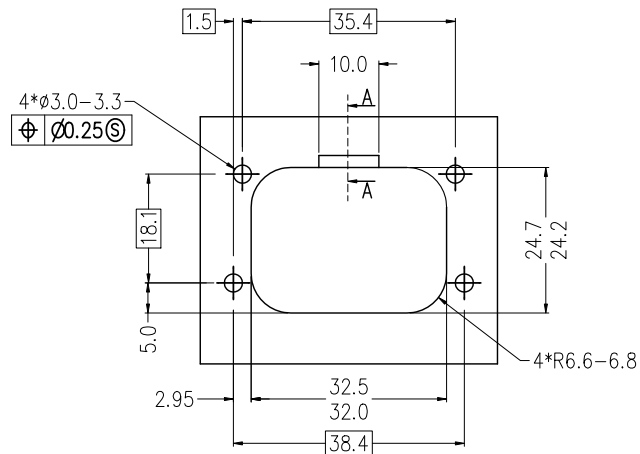
REV	DATE	MODIFICATION DESCRIPTION	CHANGE	OPERATION	DRAW	DATE	SCALE	PART NO.
A1	2020/08/03	Modify		x.x ±0.40	ZXC	2020/08/03	1:1	74040-3MS014ABXXJA3W
A0	2019/04/23	NEW		x.xx ±0.25	CHECK	DATE	UNIT mm	TITLE: 14P 180° Three row automobile waterproof connector (Upgraded Version)
				x.xxx ±0.15	APPROVE	DATE	SIZE A4	Customer NO.
				Angle ± 3°			SHEET 1/2	
				DIM TOL			PROJ. 	

WCON

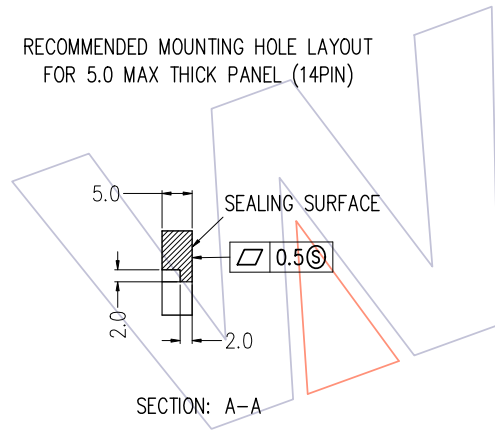
Http: www.wcon.com

WCON-Dongguan
 Tel: +86 769 85358920
 Fax: +86 769 85358915
 E-mail: sales@wcon.com

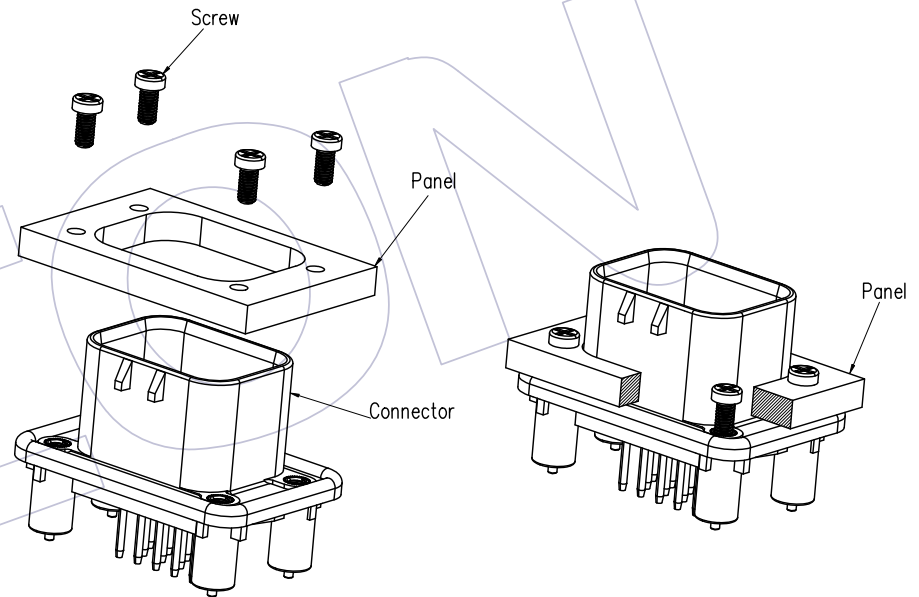
WCON-Kunshan
 Tel: +86 512 57468408
 Fax: +86 512 57468468
 E-mail: salesks@wcon.com



RECOMMENDED MOUNTING HOLE LAYOUT FOR 5.0 MAX THICK PANEL (14PIN)



OPTIONAL CONSTRUCTION IF PANEL THICKNESS IS GREATER THAN 2.0



Explosion View

REV	DATE	MODIFICATION DESCRIPTION	CHANGE	OPERATION	DRAW	DATE	SCALE	PART NO.
A1	2020/08/03	Modify	—	x.x ±0.40	ZXC	2020/08/03	1:1	74040-3MS014ABXXJA3W
AO	2019/04/23	NEW	—	x.xx ±0.25	CHECK	DATE	UNIT mm	TITLE: 14P 180° Three row automobile waterproof connector (Upgraded Version)
				x.xxx ±0.15			SIZE A4	Customer NO.
				Angle ± 3'	APPROVE	DATE	SHEET 2/2	
				DIM TOL			PROJ.	

WCON

Http: www.wcon.com

WCON-Dongguan
Tel: +86 769 85358920
Fax: +86 769 85358915
E-mail: sales@wcon.com

WCON-Kunshan
Tel: +86 512 57468408
Fax: +86 512 57468468
E-mail: salesks@wcon.com