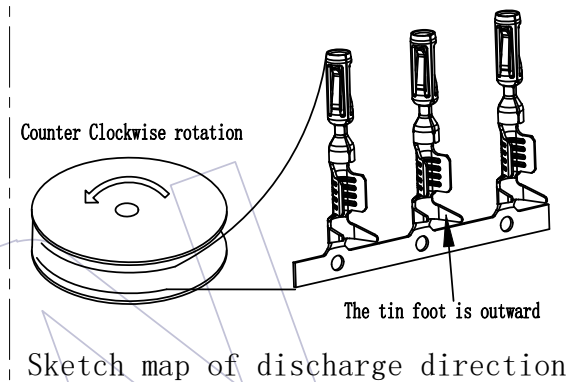
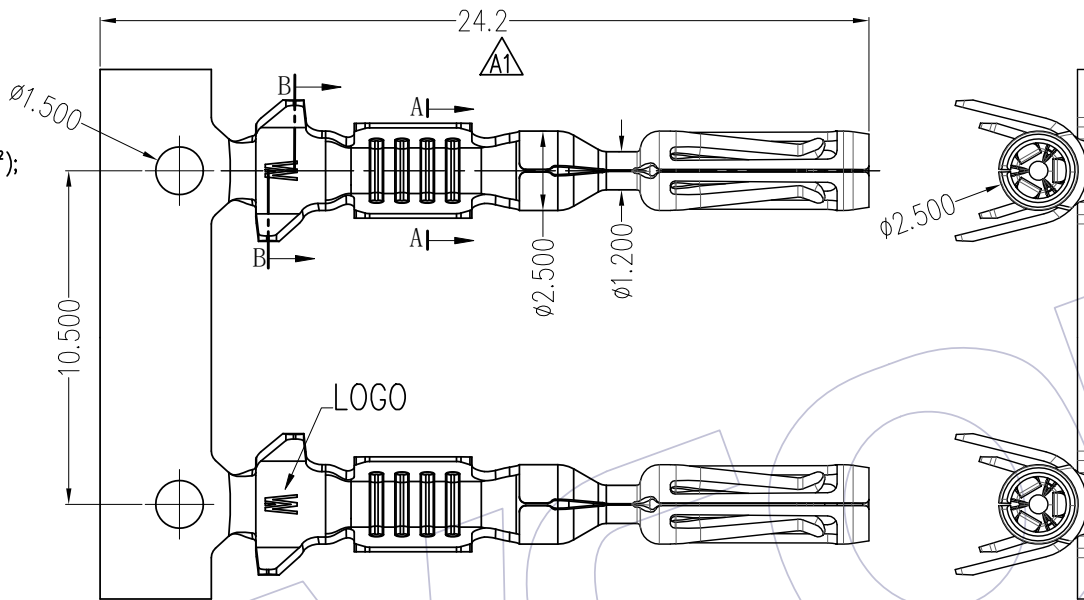


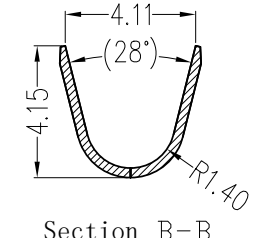
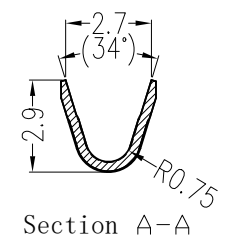
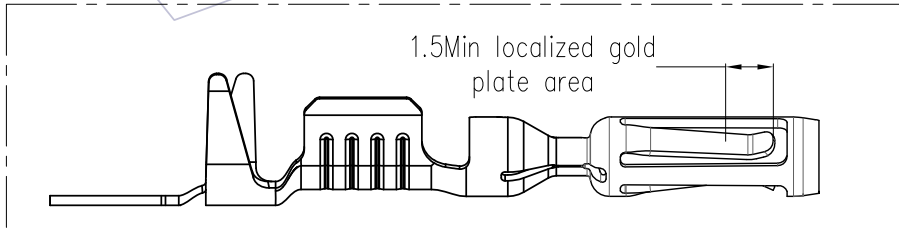
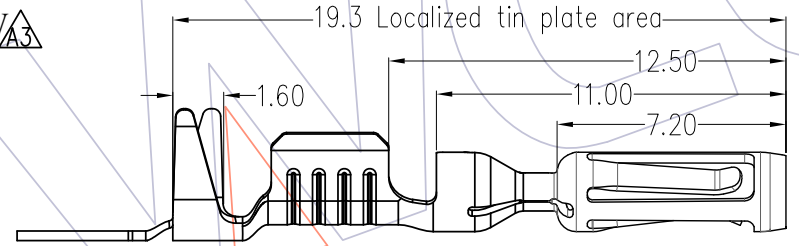
NOTES:
 Contact Material: Cu-Alloy;
 Current Rating: 8 amps MAX;
 Contact Finish: Tin plated,gold plated;
 Wire Size Range: 20-16AWG(0.5-1.25mm²);
 Insulation range:1.7-2.7mm;
 Temperature Range:
 -40℃ to +105℃(Tin plated)
 -40℃ to +125℃(Gold plated)



Ordering Information

T72XXS-C 193 P1 XX 01W $\Delta 1$

- Contact Long: 193=19.3mm
- Contact Material: P=Phosphor Bronze
- Contact Plating: SM=Full matte tin, SN=full bright tin, S1=3u"Gold/Tin, S2=5u"Gold/Tin, W1=3u"Gold/Matte Tin, W2=5u"Gold/Matte Tin



A4	2019/10/10	LOGO: WCON TO W	—	OPERATION	DRAW	DATE	SCALE	FIT	PART NO. T72XXS-C193P1XX01W $\Delta 1$
A3	2019/08/27	ADD W/O LOGO SPEC.&P/N	—	x.x ±0.40	XSR	2019/10/10	UNIT	mm	
A2	2019/04/15	T72XXS-C193PXX01--T72XXS-C193P1XX01	—	x.xx ±0.25	CHECK	DATE	SIZE	A4	TITLE: 4.0X4.0 car connector Contact
A0	2018/09/01	NEW	—	x.xxx ±0.15	APPROVE	DATE	SHEET	1/1	Customer NO.
REV	DATE	MODIFICATION DESCRIPTION	CHANGE	Angle ± 3° DIM TOL			PROJ.		

WCON
 Http: www.wcon.com

WCON-Dongguan Tel: +86 769 85358920 Fax: +86 769 85358915 E-mail: sales@wcon.com

WCON-Kunshan Tel: +86 512 57468408 Fax: +86 512 57468468 E-mail: salesks@wcon.com