

# HSF

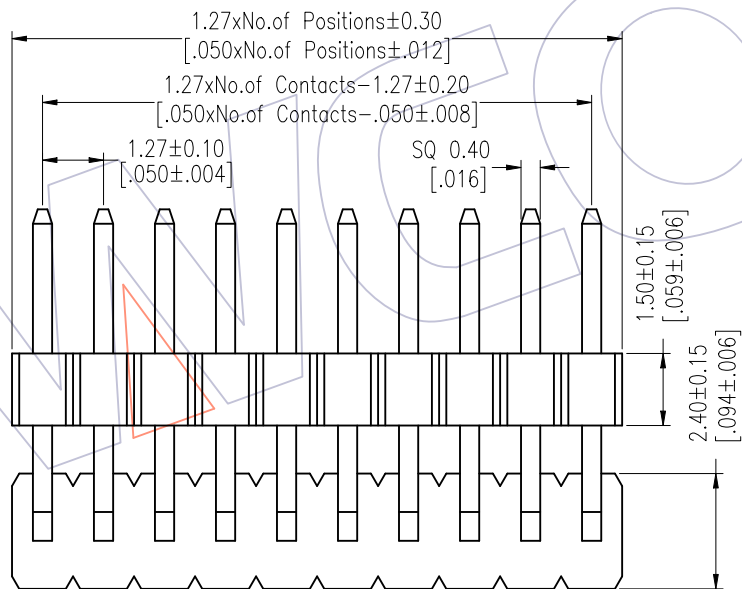
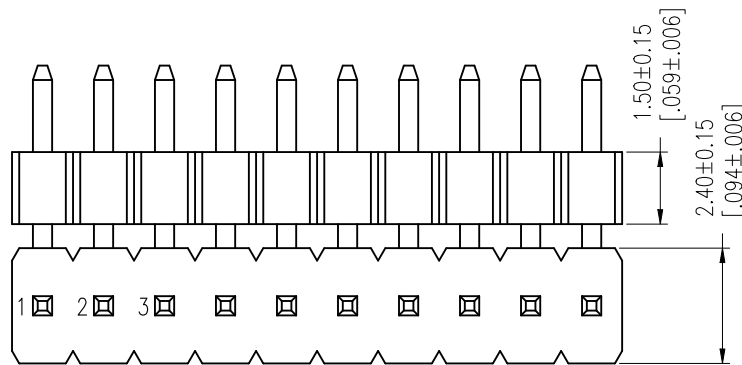
NOTES:  
 Rated Current:1.0AMP.  
 Contact Resistance:20mΩ Max.  
 Withstand Voltage:500V AC/DC  
 Insulation Resistance:1000MΩ Min.  
 Operation Temperature:-40°C to +105°C

Contact Material:Brass  
 Contact Plating:Au or Sn Over Ni  
 Insulator Material:PA9T+33%G.F UL94V-0 BK

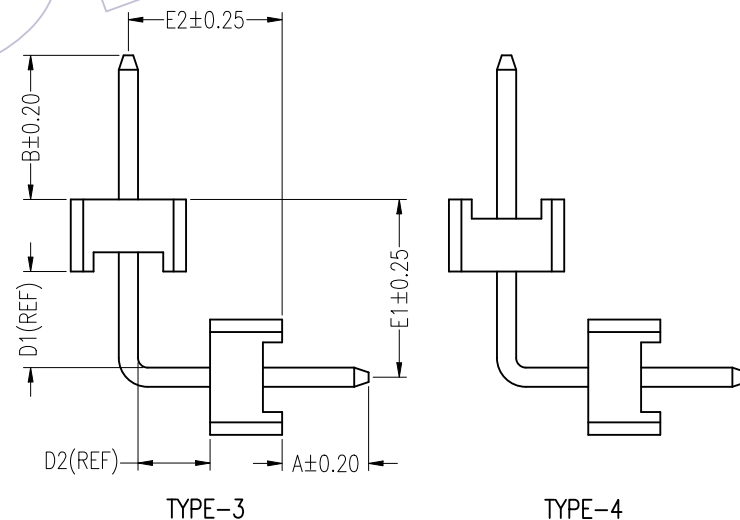
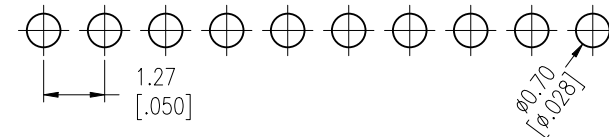
## Ordering Information

### 1315-21 XX XX R XXX C A XX

No.of Pins	Contact Plating	Pin Length	Insulator	Packing	Series No.
01~50	G0=Gold Flash G3=10u"Gold G4=15u"Gold G5=30u"Gold S0=Gold Flash/Tin S3=10u"Gold/Tin S4=15u"Gold/Tin S5=30u"Gold/Tin SN=Tin SM=Matte Tin	L=A+B+D1+D2+3.2	C=PA9T	A=Tray	01~99



Recommended P.C.B Layout (Top Side)  
 (PCB BOARD TOLERANCE±0.05)



Item	Pin Length	A	E1	B	E2	Mating
Standard	---	1.80	---	1.90	---	2321
	---	1.80	---	3.00	---	2334
	---	1.80	---	4.00	---	2344
Alternate						

REV	DATE	MODIFICATION DESCRIPTION	CHANGE	OPERATION	DRAW	DATE	SCALE	Fit	PART NO.
A1	2018/01/15	MODIFY PART NO.	-----	x.X ±0.40	William Chen	2018/01/15	UNIT	mm [inch]	1315-21XXXXRXXXCXXX
A0	2012/03/15	NEW	-----	x.XX ±0.25	CHECK	DATE	SIZE	A4	TITLE:
				x.XXX ±0.15	APPROVE	DATE	SHEET	1/1	1.27 Pin Header, SINGLE ROW, R/A, DOUBLE PLASTIC, MIDDLE BENDING, H=1.5
				Angle ± 3°			PROJ.		Customer NO.
				DIM TOL					

**WCON**  
 Http: www.wcon.com  
 WCON-Dongguan Tel: +86 769 85358920  
 WCON-Kunshan Tel: +86 512 57468408  
 Fax: +86 769 85358915  
 Fax: +86 512 57468468  
 E-mail: sales@wcon.com  
 E-mail: salesks@wcon.com