

HSF

Notes:
 Current rating: 0.5AMP
 Oltage rating: 50V
 Contact resistance: 100mΩ max
 Withstand voltage: 250V AC
 Insulation resistance: 500MΩ min
 Operation temperature: -40℃ to +105℃
 Contact material: copper alloy
 Contact plating:
 xxu" gold on contact area (see ordering information)
 Gold flash on solder area (ASTM B 488)
 50u" nickel underplating overall (ASTM B 733)
 Hold-down material: copper alloy
 Hold-down plating:
 100u" tin plating over all the pins.
 50u" nickel underplating overall. (ASTM B 733)
 Housing material: grass filled plastics; Black UL94V-0
 Cap material: grass filled plastics; White UL94V-0
 IR soldering, Peak temperature: 260±5℃, 5s ;

Ordering Information

3618 - P XXX - 078 M XX R XX

No. of Pins:
 030=30Pin
 120=120Pin
 (See Table 1)

Housing Height:
 048=4.80mm
 068=6.80mm
 078=7.80mm

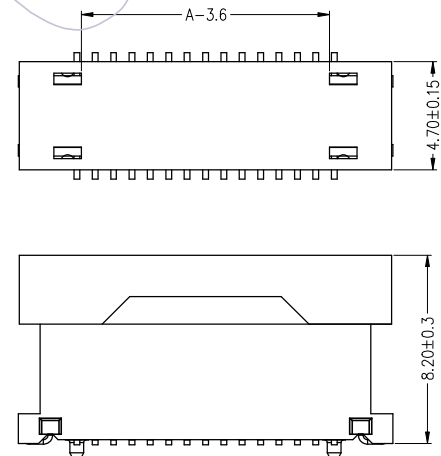
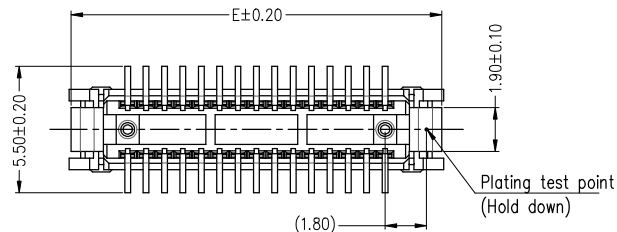
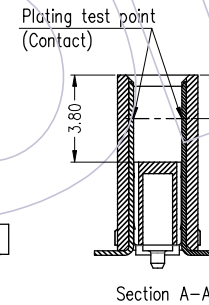
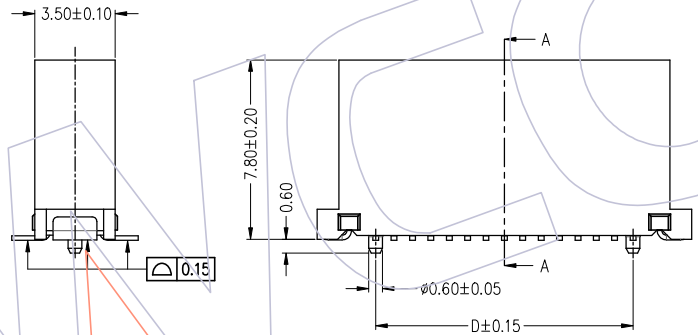
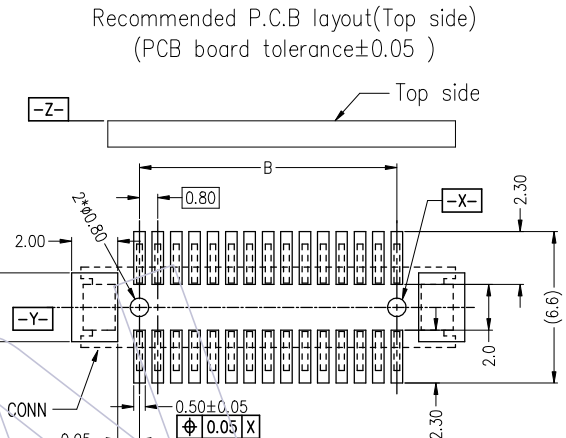
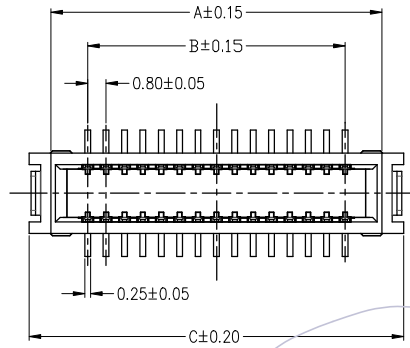
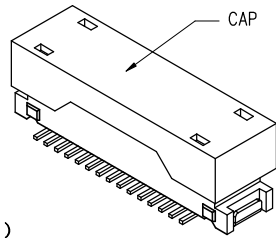
W/N Post:
 01=With Post
 02=Without Post

Packing:
 R=Tape&Reel+CAP

Contact plating:
 G1=3u" Gold
 G2=5u" Gold
 G3=10u" Gold
 G4=15u" Gold
 G5=30u" Gold

TABLE 1:

No. of Pins:	A	B	C	D	E
30	14.4	11.2	16.3	11.2	16.1
40	18.4	15.2	20.3	15.2	20.1
50	22.4	19.2	24.3	19.2	24.1
60	26.4	23.2	28.3	23.2	28.1
70	30.4	27.2	32.3	27.2	32.1
80	34.4	31.2	36.3	31.2	36.1
100	42.4	39.2	44.3	39.2	44.1



Rev	Date	Modification scription	Change	Operation	Draw	Date	Scale	FIT	Part No.
01	2022/06/27	NEW	-----	x.x ±0.40	JINQUAN ZENG	2022/06/27	Unit	mm	3618-PXXX-078MXXR01
				x.xx ±0.35	Check	Date	Size	A4	Title:
				x.xxx ±0.15	Approve	Date	Sheet	1/1	0.8mm Board To Board conn. PLUG SMT Type H=7.80mm With Post
				Angle ± 3°			PROJ.	PROJ.	Customer No.
				DIM TOL					

WCON

Http: www.wcon.com

WCON-Dongguan Tel: +86 769 85358920 Fax: +86 769 85358915 E-mail: sales@wcon.com
 WCON-Kunshan Tel: +86 512 57468408 Fax: +86 512 57468468 E-mail: salesks@wcon.com