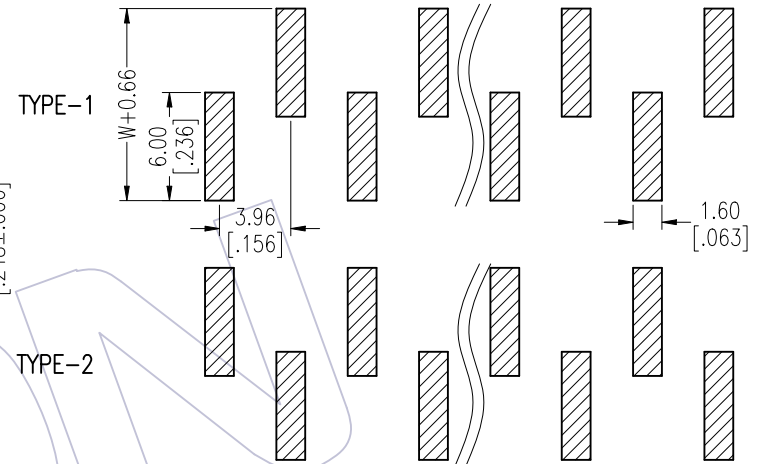
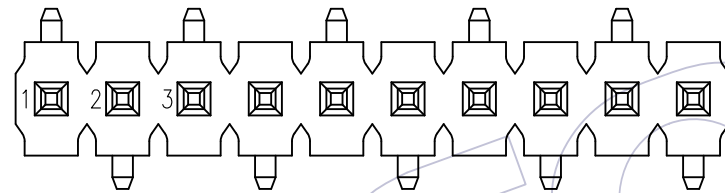
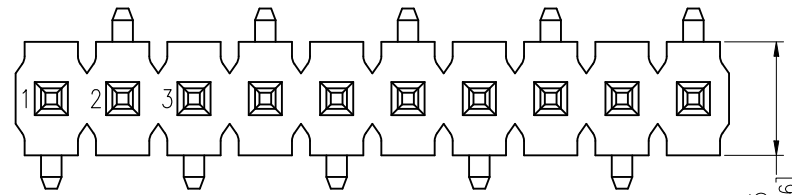


HSF

Recommended P.C.B Layout (Top Side)
(PCB BOARD TOLERANCE ±0.05)

NOTES:
Rated Current:7.0AMP.
Contact Resistance:20mΩ Max.
Withstand Voltage:1000V AC/DC
Insulation Resistance:1000MΩ Min.
Operation Temperature:-40°C to +105°C

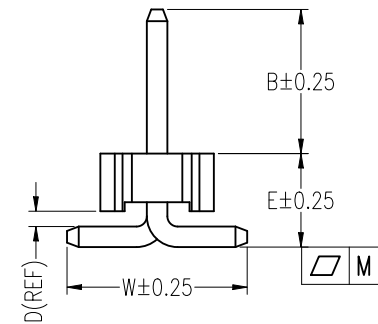
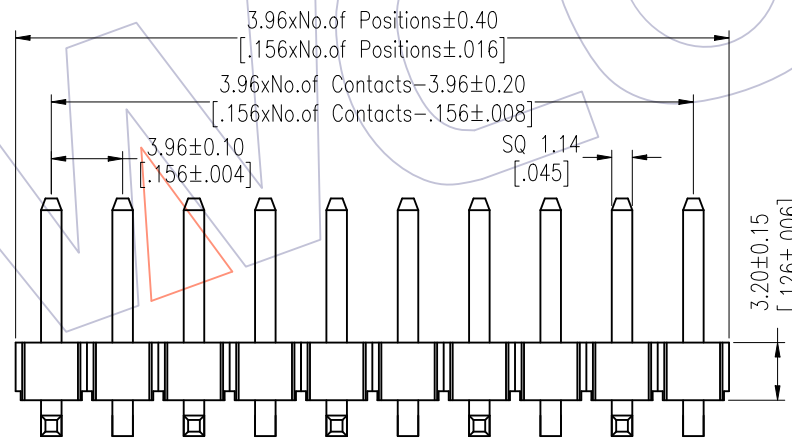
Contact Material:Brass
Contact Plating:Sn Over Ni
Insulator Material:LCP+30%G.F UL94V-0 BK



Ordering Information

1832-11 XX XX M XXX D 0 XX

No. of Pins Contact Plating Pin Length Insulator Packing Series No.
02~20 SN=Tin L=B+D+3.2+ $\frac{W}{2}$ D=LCP 0=PE Bag 01~99
SM=Matte Tin Std:170=17.0 A=Tray T=Tube



| Item | Pin Length | W | E | B | Mating |
|-----------|------------|-------|------|------|--------|
| Standard | 17.0 | 10.00 | 5.19 | 8.00 | 2889 |
| Alternate | | | | | |

| PIN(PerRow) | 2-10P | 11-20P | $\triangle A2$ |
|-------------|-------|--------|----------------|
| M | 0.12 | 0.20 | |

| REV | DATE | MODIFICATION DESCRIPTION | CHANGE | OPERATION | DRAW | DATE | SCALE | Fit | PART NO. |
|-----|------------|-----------------------------|--------------|-------------|---------|------------|-------|-----------|--|
| A2 | 2023/02/04 | Add Flatness $\triangle A2$ | Du Ying | X.X ±0.40 | Du Ying | 2023/02/04 | UNIT | mm [inch] | 1832-11XXXXMXXDXXX $\triangle A2$ |
| A1 | 2018/01/23 | MODIFY PART NO. | William Chen | X.XX ±0.25 | CHECK | DATE | SIZE | A4 | TITLE: 3.96 Pin Header, SINGLE ROW, SMT, H=3.2 |
| A0 | 2012/06/25 | NEW | ----- | X.XXX ±0.15 | APPROVE | DATE | SHEET | 1/1 | Customer NO. |
| | | | | Angle ± 3° | | | PROJ. | ϕ | |
| | | | | DIM TOL | | | | | |

WCON
Http: www.wcon.com

WCON-Dongguan WCON-Kunshan
Tel: +86 769 85358920 Tel: +86 512 57468408
Fax: +86 769 85358915 Fax: +86 512 57468468
E-mail: sales@wcon.com E-mail: salesks@wcon.com