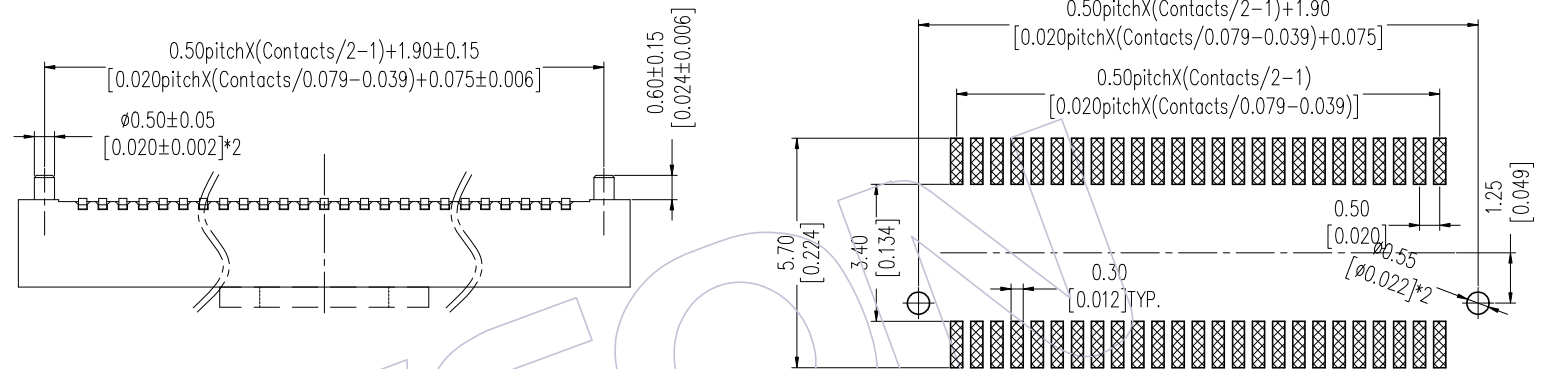


NOTES:
 Current Rating: 0.5A
 Voltage Rating: 50V AC/DC
 Contact Resistance: 50milliohm Max
 Insulation Resistance: 100Megohm Min
 Operation Temperature: -40℃to+105℃

Housing Material: PA9T+33%G.F.(UL94V-0)
 Contact Material: Phosphor Bronze
 Contact plating: Au or Sn over Ni

Recommended P. C. B Layout (Top Side)
 (PCB BOARD TOLERANCE ±0.05)

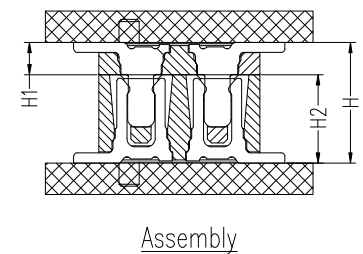
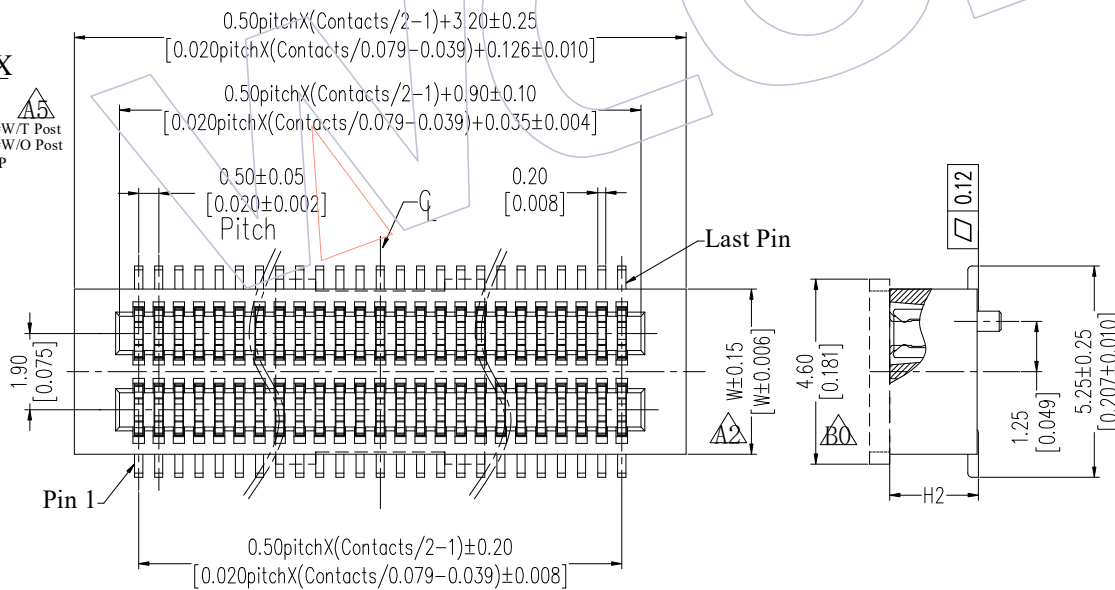


Ordering Information

3620-S XXX - XXX XX R OX

No. of Pins	Housing High	Contact Plating	T=Tube	01=W/T Post
10-100Pin	022=2.20	G1=3u"Gold	P=Tube+CAP	02=W/O Post
Sid Pin	030=3.00	G2=5u"Gold	R=Tape&Reel+CAP	
10P 60P	040=4.00			
20P 70P	045=4.50			
30P 80P				
40P 90P				
50P 100P				

ASS'Y HIGH(H)	PLUG(H1)	SOCKET(H2)	SOCKET(W)
3.00	0.80	2.20	4.40
4.00	1.00	3.00	4.10
4.50	1.50	3.00	
5.00	2.00	3.00	
5.50	1.50	4.00	
6.00	2.00	4.00	
6.50	2.00	4.50	



B0	2019/11/28	Modify	A5	OPERATION	DRAW	DATE	SCALE	FIT	PART NO.
A5	2019/07/09	Modify							
A4	2017/06/26	Modify	A4	CHECK	DATE	DATE	SIZE	A4	TITLE:
A0	2012/06/27	NEW							
REV	DATE	MODIFICATION DESCRIPTION	CHANGE	Angle	± 3'	APPROVE	DATE	SHEET	1/1
				DIM	TOL			PROJ.	Customer NO.

WCON
 Http: www.wcon.com

WCON-Dongguan Tel: +86 769 85358920
 WCON-Kunshan Tel: +86 512 57468408
 Fax: +86 769 85358915 Fax: +86 512 57468468
 E-mail: sales@wcon.com E-mail: salesks@wcon.com