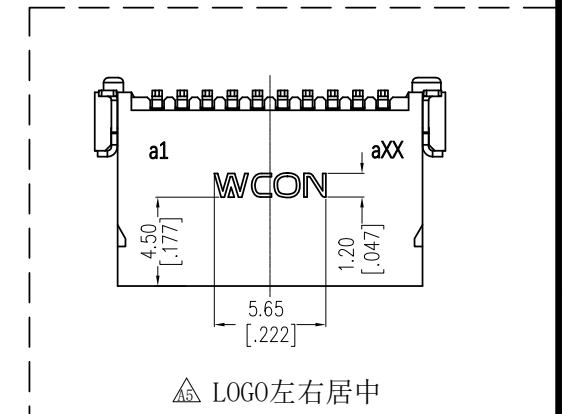
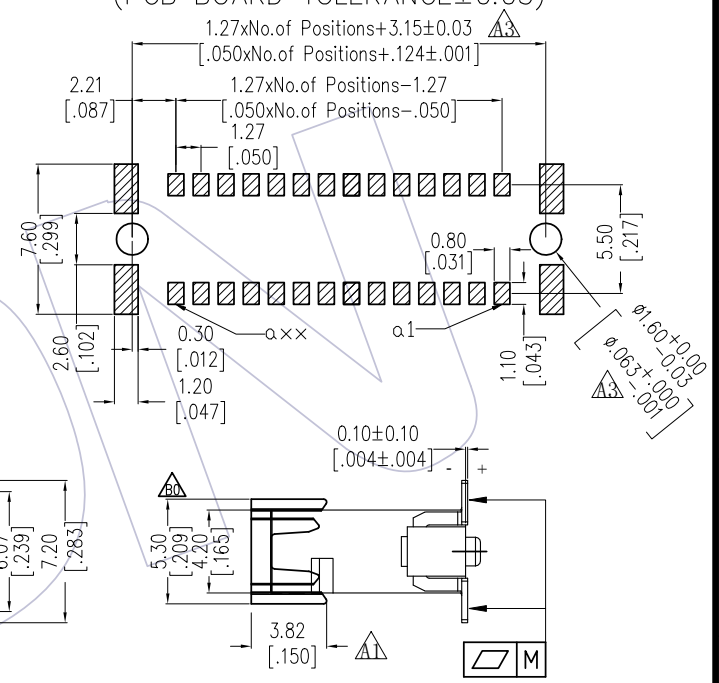
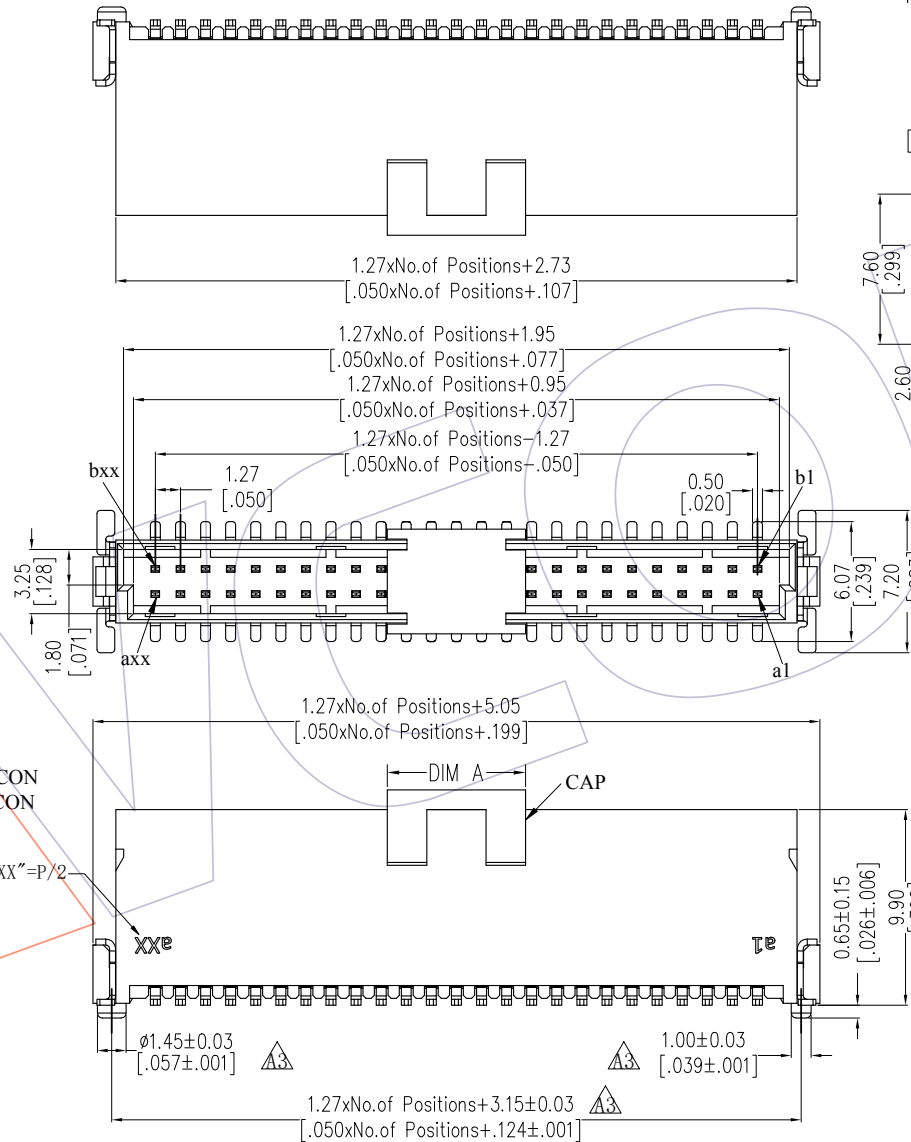


HSF

NOTES:
 Rated Current: 0.5~1.0 AMP.
 Contact Resistance: 25mΩ Max.
 Withstand Voltage: 500V
 Insulation Resistance: 10000MΩ Min.
 Operation Temperature: -55℃ to +125℃

Contact Material: Copper Alloy
 Contact Plating: Sn and Au over Ni
 Tail Material: Copper Alloy
 Tail Plating: Sn over Ni
 Main Body Material: High Temperature Thermoplastic(UL94V-0)
 CAP Material: High Temperature Thermoplastic(UL94V-0)

Recommended P.C.B Layout(Top Side)
 (PCB BOARD TOLERANCE±0.05)



Ordering Information

3910- P XXX - 099 M XX W R 1 W

No. of Pins
 010: 10 Pin
 020: 20 Pin
 100: 100 Pin

Plating △
 S3=Sel.10U" Gold/Tin
 S4=Sel.15U" Gold/Tin
 S5=Sel.30U" Gold/Tin

Blank=W/O WCON
 W=W/T WCON

Package
 R: Tape & Reel+Cap

"XX"=P/2

P/N	HOUSING PIN	DIM A	PIN	M
CAP3910-G201	10-24	7.00	10~40PIN	0.12
CAP3910-G202	26-100	16.00	42~100PIN	0.15

REV	DATE	MODIFICATION DESCRIPTION	CHANGE	DIM	TOL	APPROVE	DATE	SCALE	UNIT	SHEET	PROJ.	PART NO.	TITLE:	Customer NO.
B0	2021/01/06	Modify CAP	XSR	OPERATION		DRAW	DATE	SCALE	1:1			PART NO.		
A5	2020/11/12	Add W/T WCON LOGO SPEC&P/N	XSR	x.x	±0.40	XSR	2021/01/06	UNIT	mm			3910-PXXX-099MXXWR1(W)△		
A4	2019/12/12	Modify	Tang	x.xx	±0.25	CHECK	DATE	SIZE	A4				△	
A0	2018/03/23	NEW		x.xxx	±0.15	APPROVE	DATE	SHEET	1/1				1.27mm Pitch SDC CONNECTORS MALE H=9.90mm(TYPE Q)	
				Angle	± 3°									



Http: www.wcon.com

WCON-Dongguan WCON-Kunshan

Tel: +86 769 85358920 Tel: +86 512 57468408

Fax: +86 769 85358915 Fax: +86 512 57468468

E-mail: sales@wcon.com E-mail: salesks@wcon.com