

HSF

PRELIMINARY

NOTE:
 Rated Current:0.3A
 Rated Voltage:60V AC/DC.
 Contact Resistance:70mΩ Max
 Withstanding Voltage:150V AC.
 Insulation Resistance:1000MΩ Min(initial)
 Temperature Range: -55°C ~ +85°C
 IR soldering Peak Temperature:260±5°C,5S

Contact Material:Copper Alloy
 Contact Plating:
 xxu" Gold on contact area(See ordering information),50u" Nickel underplating
 Overall
 Insulator Material:LCP,G.F,UL94 V-0,BK

Ordering Information

3631- P XXX - 022 M XX R 01

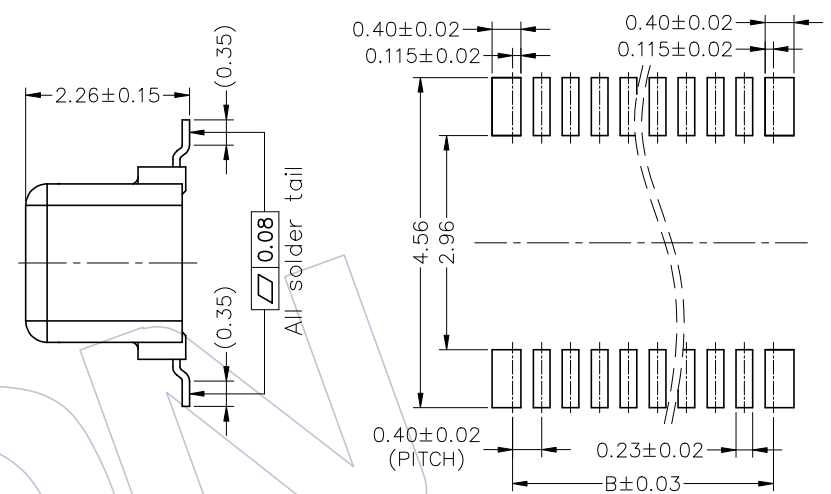
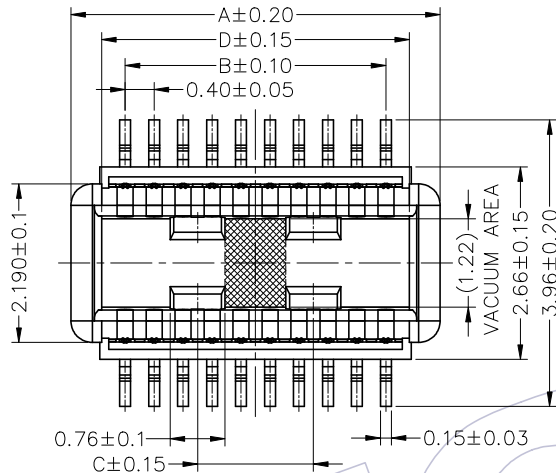
P=Plug
 No. of pins
 020=20Pin; 024=24Pin;
 030=30Pin; 040=40Pin;
 050=50Pin; 060=60Pin;
 080=80Pin;

Plug High:
 022=2.26mm

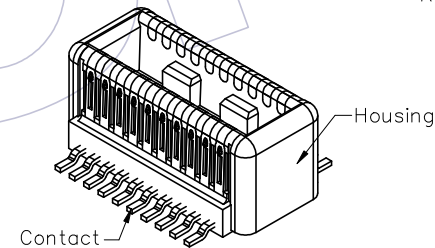
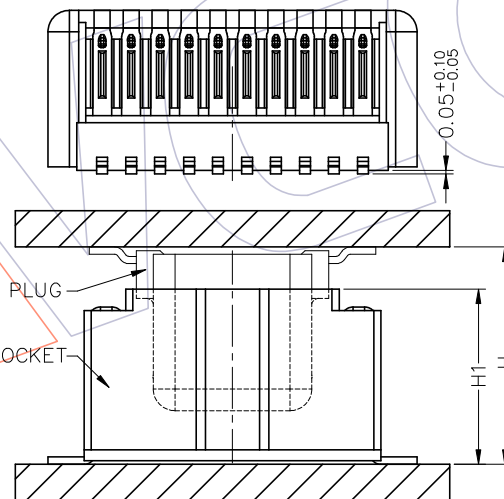
M=SMT

Contact plating:
 G1=3u" GOLD
 G4=15u" GOLD

Packing:
 R=Tape & Reel



Recommended P.C.B Layout(Top Side)
 (PCB BOARD TOLERANCE±0.05)



ASS'Y HIGH(H)	SOCKET(H1)
3.00	2.42
3.50	2.92

PIN	A	B	C	D
20	5.10	3.60	1.60	4.25
24	5.90	4.40	2.40	5.05
30	7.10	5.60	3.60	6.25
40	9.10	7.60	5.60	8.25
50	11.10	9.60	7.60	10.25
60	13.10	11.60	9.60	12.25
80	17.10	15.60	13.60	16.25

MATING VIEW

REV	DATE	MODIFICATION DESCRIPTION	CHANGE	OPERATION		DRAW	DATE	SCALE	FIT	PART NO.
				X.X	±0.40					
0	2022/12/21	NEW		X.XX	±0.25	XueLei	2022/12/21	UNIT	mm	3631-PXXX-0223MXXR01
				X.XXX	±0.15	CHECK	DATE	SIZE	A4	TITLE:
				Angle	± 3'	APPROVE	DATE	SHEET	1/1	0.40mm BTB,N Type, Male, SMT Type,H=2.26mm
				DIM	TOL			PROJ.	⌀	Customer NO. ---

WCON
 Http: www.wcon.com

WCON-Dongguan Tel: +86 769 85358920
 WCON-Kunshan Tel: +86 512 57468408
 Fax: +86 769 85358915
 Fax: +86 512 57468468
 E-mail: sales@wcon.com
 E-mail: salesks@wcon.com