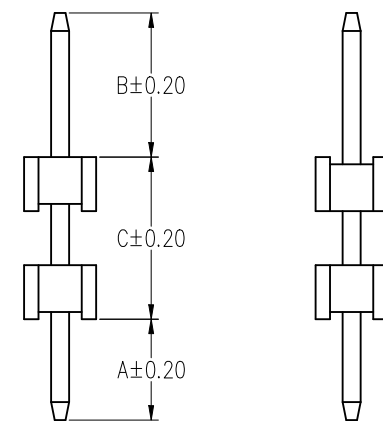
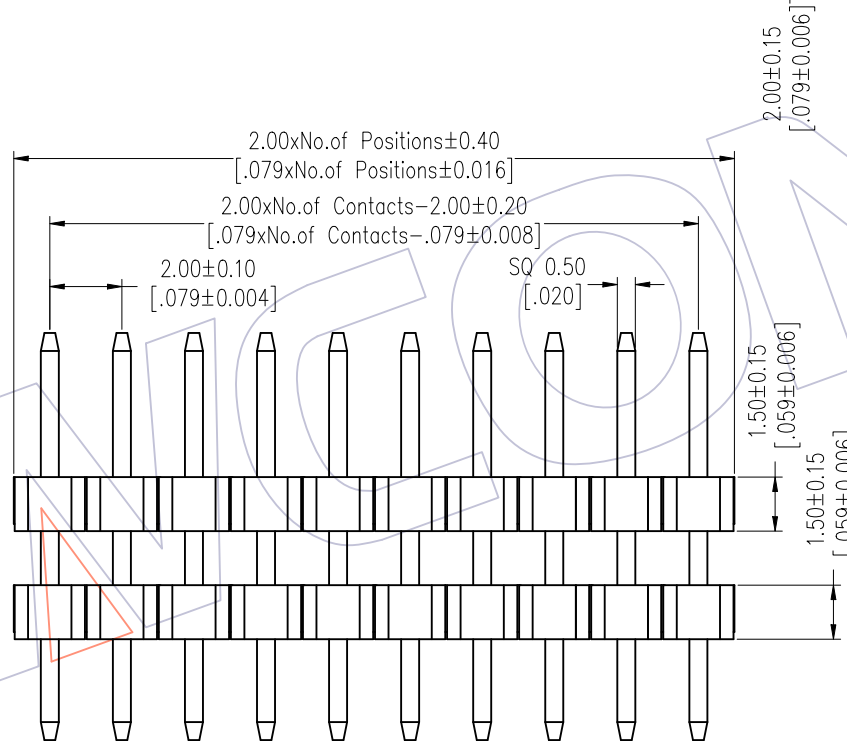
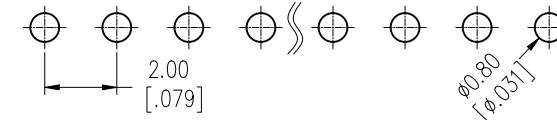


# HSF

NOTES:  
 Rated Current: 2.0AMP.  
 Contact Resistance: 20mΩ Max.  
 Withstand Voltage: 500V AC/DC  
 Insulation Resistance: 1000MΩ Min.  
 Operation Temperature: -40°C to +125°C(GOLD)  $\Delta 2$   
 -40°C to +105°C(TIN)  $\Delta 2$

Contact Material: Brass  
 Contact Plating: Au or Sn Over Ni  
 Insulator Material: PA9T+33%G.F UL94V-0 BK

Recommended P.C.B Layout (Top Side)  
 (PCB BOARD TOLERANCE  $\pm 0.05$ )



## Ordering Information

1215-21 XX XX S XXX C 0 XX  $\Delta 1$

$\Delta 3$   $\Delta 2$

No. of Pins	Contact Plating	Pin Length	Insulator Material	Packing	Series No.
02~40	G0=Gold Flash G3=10u"Gold G4=15u"Gold G5=30u"Gold S0=Gold Flash/Tin S3=10u"Gold/Tin S4=15u"Gold/Tin S5=30u"Gold/Tin SN=Tin SM=Matte Tin	L=A+B+C Standard:	C=PA9T	0=PE Bag T=Tube	01~99

Item	Pin Length	A	B	C	Mating
Standard	---	2.80	2.00	---	2220T 2221 2227T 2228
	---	2.80	3.00	---	2235
	---	2.80	4.00	---	2240 2243 2263 2272
	13.00	3.00	3.00	7.00	
	17.00	3.80	3.40	9.80	

A3	2020/06/12	Modify Pin 02~40P	$\Delta 3$ Dajing	OPERATION	DRAW	DATE	SCALE	Fit	PART NO.
A2	2019/03/04	Modify	$\Delta 2$ Ding	x.X ± 0.40	Dajing	2020/06/12	UNIT	mm	1215-21XXXXXXC0XX $\Delta 1$
A1	2018/01/18	Modify P/N	$\Delta 1$	x.XX ± 0.25	CHECK	DATE	SIZE	A4	TITLE:
A0	2012/04/18	NEW	-----	x.XXX ± 0.15	APPROVE	DATE	SHEET	1/1	PH2.00 SINGLE ROW DOUBLE PLASTIC 180° H=1.5
REV	DATE	MODIFICATION DESCRIPTION	CHANGE	Angle ± 3°	APPROVE	DATE	PROJ.		Customer NO.
				DIM TOL					

**WCON**  
 Http: www.wcon.com

WCON-Dongguan Tel: +86 769 85358920  
 WCON-Kunshan Tel: +86 512 57468408  
 Fax: +86 769 85358915  
 Fax: +86 512 57468468  
 E-mail: sales@wcon.com  
 E-mail: salesks@wcon.com