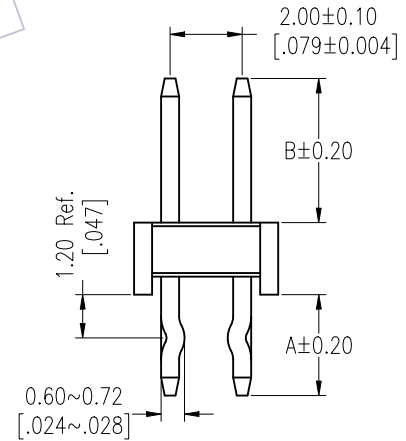
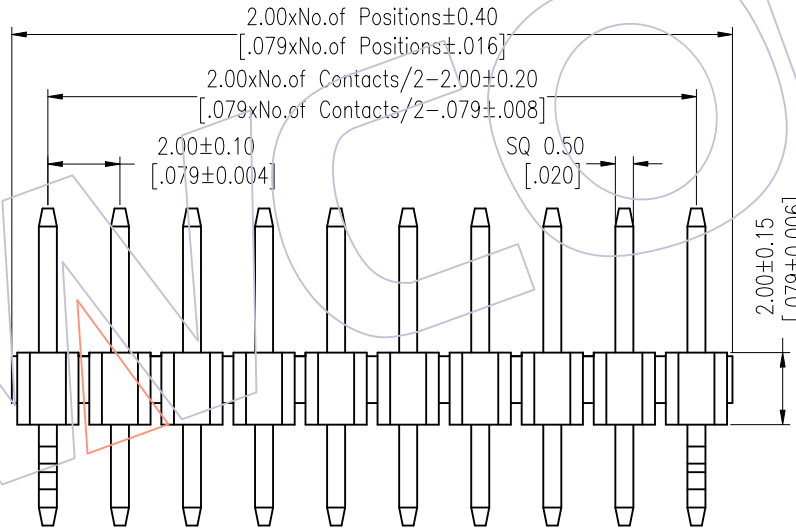
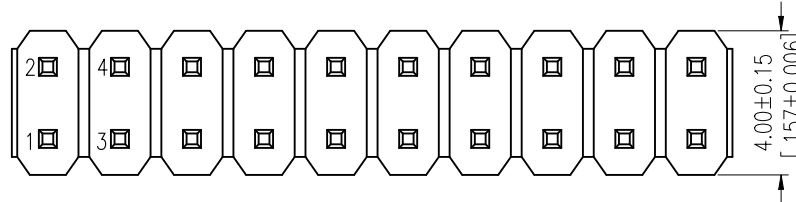
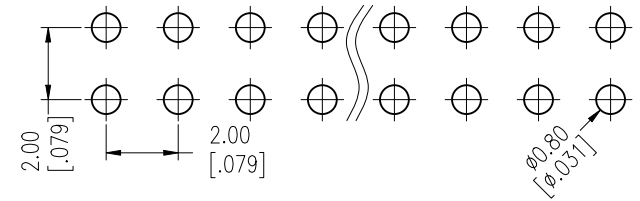


HSF

NOTES:
 Rated Current:2.0AMP.
 Contact Resistance:20mΩ Max.
 Withstand Voltage:500V AC/DC
 Insulation Resistance:1000MΩ Min.
 Operation Temperature:-40°C to +105°C

Contact Material:Brass
 Contact Plating:Au or Sn Over Ni
 Insulator Material:PA9T+33%G.F UL94V-0 BK

Recommended P.C.B Layout (Top Side)
 (PCB BOARD TOLERANCE±0.05)



Ordering Information

1220-12 XX XX K XXX C 0 XX

No. of Pins	Contact Plating	Pin Length	Insulator	Packing	Series No.
Per Row:02~40	G0=Gold Flash	L=A+B+2.0	Material	0=PE Bag	01~99
	G3=10u"Gold	Standard:068=6.8	C=PA9T	T=Tube	
	G4=15u"Gold	078=7.8			
	G5=30u"Gold	088=8.8			
	S0=Gold Flash/Tin				
	S3=10u"Gold/Tin				
	S4=15u"Gold/Tin				
	S5=30u"Gold/Tin				
	SN=Tin				
	SM=Matte Tin				

Item	Pin Length	A	B	Mating
Standard	6.80	2.80	2.00	2220T 2221 2227T 2228
	7.80	2.80	3.00	2235
	8.80	2.80	4.00	2240 2243 2263 2272
Alternate				

OPERATION	DRAW	DATE	SCALE	Fit	PART NO.
X.X ±0.40	<i>Liu</i>	2018.01.18	UNIT	mm	1220-12XXXXXXC0XX
X.XX ±0.25	CHECK	DATE	SIZE	A4	TITLE:
X.XXX ±0.15	APPROVE	DATE	SHEET	1/1	PH2.00 DUAL ROW 180° H=2.0 KINKED-PIN
Angle ± 3'			PROJ.		Customer NO.
DIM TOL					

WCON
 Http: www.wcon.com
 WCON-Dongguan Tel: +86 769 85358920
 WCON-Kunshan Tel: +86 512 57468408
 Fax: +86 769 85358915 Fax: +86 512 57468468
 E-mail: sales@wcon.com E-mail: salesks@wcon.com

REV	DATE	MODIFICATION DESCRIPTION	CHANGE
A1	2018/01/18	Modify P/N	
A0	2012/04/26	NEW	