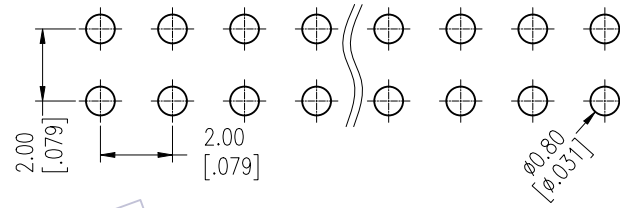
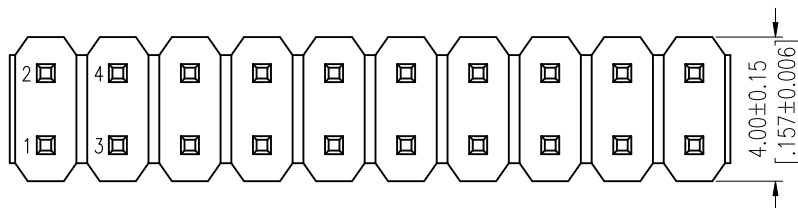


HSF

NOTES:
 Rated Current:2.0AMP.
 Contact Resistance:20mΩ Max.
 Withstand Voltage:500V AC/DC
 Insulation Resistance:1000MΩ Min.
 Operation Temperature:-40°C to +105°C

Contact Material:Brass
 Contact Plating:Au or Sn Over Ni
 Insulator Material:PA9T+33%G.F UL94V-0 BK

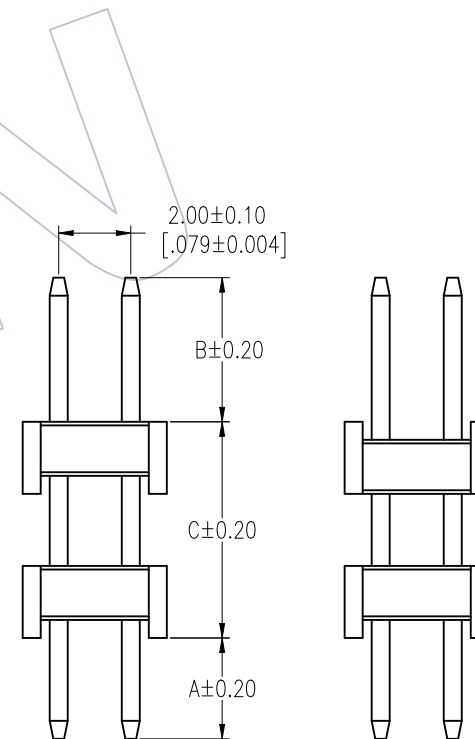
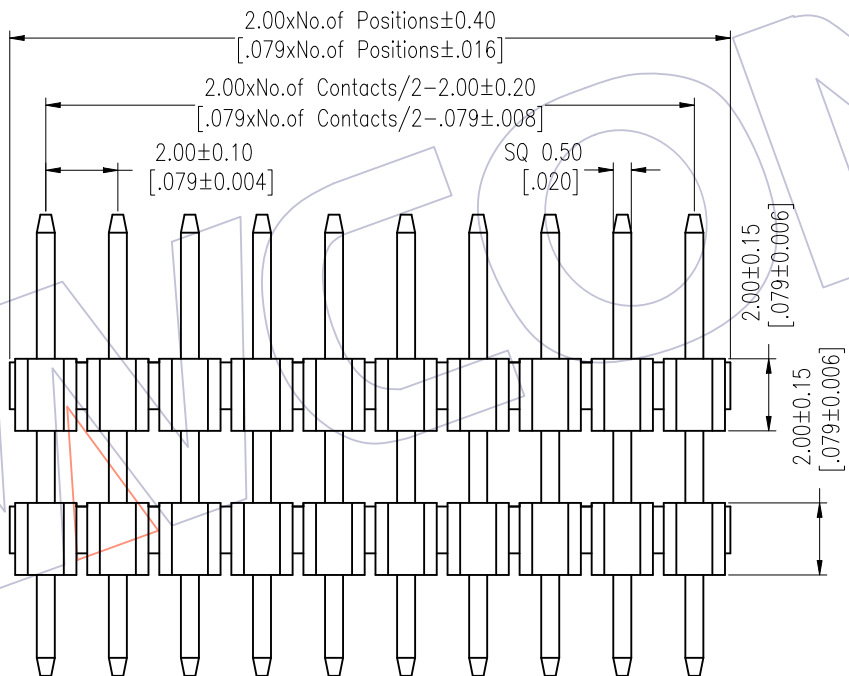
Recommended P.C.B Layout (Top Side)
 (PCB BOARD TOLERANCE±0.05)



Ordering Information

1220-22 XX XX S XXX C 0 XX

No.of Pins	Contact Plating	Pin Length	Insulator	Packing	Series No.
Per Row:02-40	G0=Gold Flash	L=A+B+C	Material	0=PE Bag	01-99
	G3=10u"Gold	Standard:	C=PA9T	T=Tube	
	G4=15u"Gold				
	G5=30u"Gold				
	S0=Gold Flash/Tin				
	S3=10u"Gold/Tin				
	S4=15u"Gold/Tin				
	S5=30u"Gold/Tin				
	SN=Tin				
	SM=Matte Tin				



TYPE 1

TYPE 2

Item	Pin Length	A	B	C	Mating
Standard	---	2.80	2.80	---	
	---	2.80	4.00	---	2240 2243 2263 2272
Alternate					

REV	DATE	MODIFICATION DESCRIPTION	CHANGE	OPERATION	DRAW	DATE	SCALE	Fit	PART NO.
A1	2018/01/19	Modify P/N		X.X ±0.40	<i>Liu</i>	2018.01.19	UNIT mm		1220-22XXXXSXXXC0XX
A0	2012/04/26	NEW	-----	X.XX ±0.25	CHECK	DATE	SIZE A4		TITLE: PH2.00 DUAL ROW DOUBLE PLASTIC 180° H=2.0
				X.XXX ±0.15	APPROVE	DATE	SHEET 1/1		Customer NO.
				Angle ± 3'			PROJ.		
				DIM TOL					

WCON

Http: www.wcon.com

WCON-Dongguan	WCON-Kunshan
Tel: +86 769 85358920	Tel: +86 512 57468408
Fax: +86 769 85358915	Fax: +86 512 57468468
E-mail: sales@wcon.com	E-mail: salesks@wcon.com