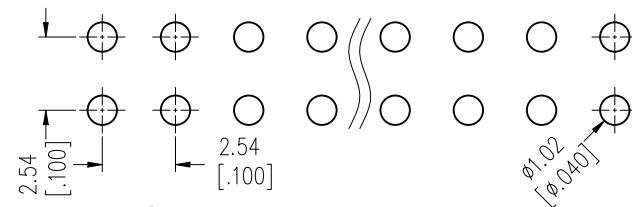
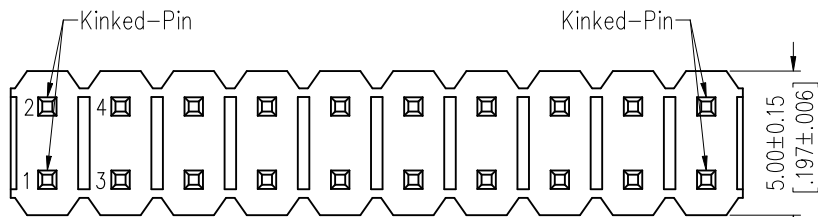


HSF

NOTES:
 Rated Current: 3.0AMP.
 Contact Resistance: 20mΩ Max.
 Withstand Voltage: 1000V AC/DC
 Insulation Resistance: 1000MΩ Min.
 Operation Temperature: -40°C to +105°C
 Contact Material: Brass
 Contact Plating: Au or Sn Over Ni
 Insulator Material: PA9T+33%G.F UL94V-0 BK

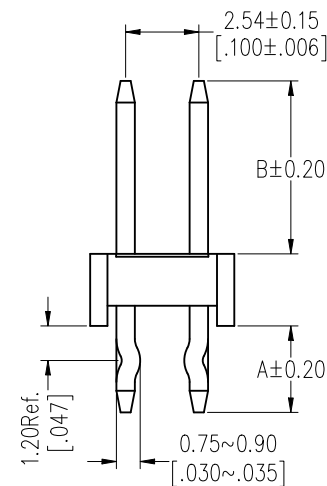
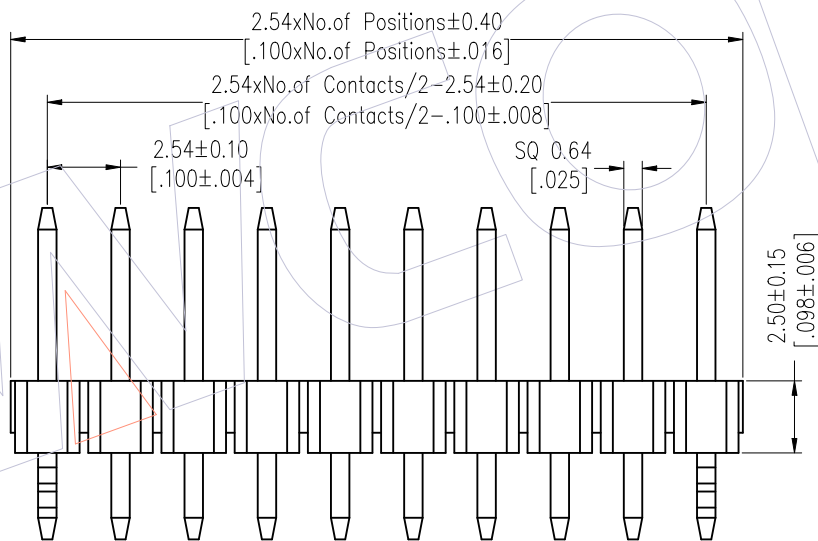
Recommended P.C.B Layout (Top Side)
 (PCB BOARD TOLERANCE ±0.05)



Ordering Information

1125-12 XX XX K XXX C 0 XX

No. of Pins	Contact Plating	Pin Length	Insulator Material	Packing	Series No.
02~40	G0=Gold Flash	L=A+B+2.5	C=PA9T	0=PE Bag	01~99
	G3=10u"Gold	Standard:085=8.5		T=Tube	
	G4=15u"Gold	095=9.5			
	G5=30u"Gold	105=10.5			
	S0=Gold Flash/Tin	116=11.6			
	S3=10u"Gold/Tin	118=11.8			
	S4=15u"Gold/Tin	135=13.5			
	S5=30u"Gold/Tin				
	SN=Tin				
	SM=Matte Tin				



Item	Pin Length	A	B	Mating
Standard	8.50	3.00	3.00	2135
	9.50	3.00	4.00	2145
	10.50	3.00	5.00	2150
	11.60	3.00	6.10	2171 2185
	11.80	2.40	6.90	2171 2185
	13.50	3.00	8.00	
Alternate				

REV	DATE	MODIFICATION DESCRIPTION	CHANGE	OPERATION	DRAW	DATE	SCALE	Fit	PART NO.
A3	2018/06/02	Cancel PBT & Modify P/N	△A3	OPERATION	DRAW	2018/06/02	UNIT	mm [inch]	1125-12XXXXXXCOXX △A2 △A3
A2	2018/01/22	Modify P/N	△A2	x.X ±0.40	Surong Xu		SIZE	A4	TITLE: PH2.54 DUAL ROW S/T H=2.5 Kinked-PIN
A1	2016/02/19	MODIFY DRAWING	-----	x.XX ±0.25	CHECK		SHEET	1/1	Customer NO.
A0	2012/05/28	NEW	-----	x.XXX ±0.15	APPROVE		PROJ.		
				Angle ± 3°					
				DIM TOL					

WCON
 Http: www.wcon.com
 WCON-Dongguan Tel: +86 769 85358920
 WCON-Kunshan Tel: +86 512 57468408
 Fax: +86 769 85358915
 Fax: +86 512 57468468
 E-mail: sales@wcon.com
 E-mail: salesks@wcon.com