

HSF

NOTES:
 Rated Current: 3.0AMP.
 Contact Resistance: 20mΩ Max.
 Withstand Voltage: 1000V AC/DC
 Insulation Resistance: 1000MΩ Min.
 Operation Temperature: -40°C to +105°C
 Contact Material: Brass
 Contact Plating: Au or Sn Over Ni
 Insulator Material: PA9T+33%G.F UL94V-0 BK

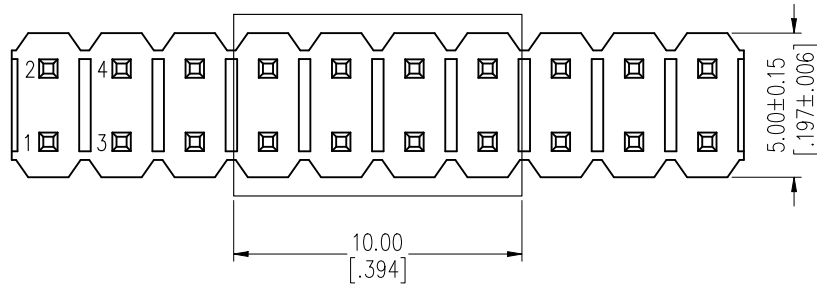
△A3

Ordering Information

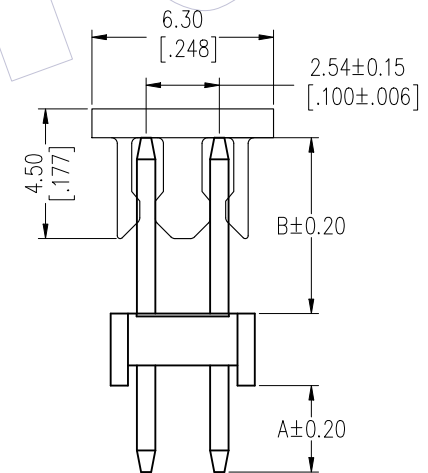
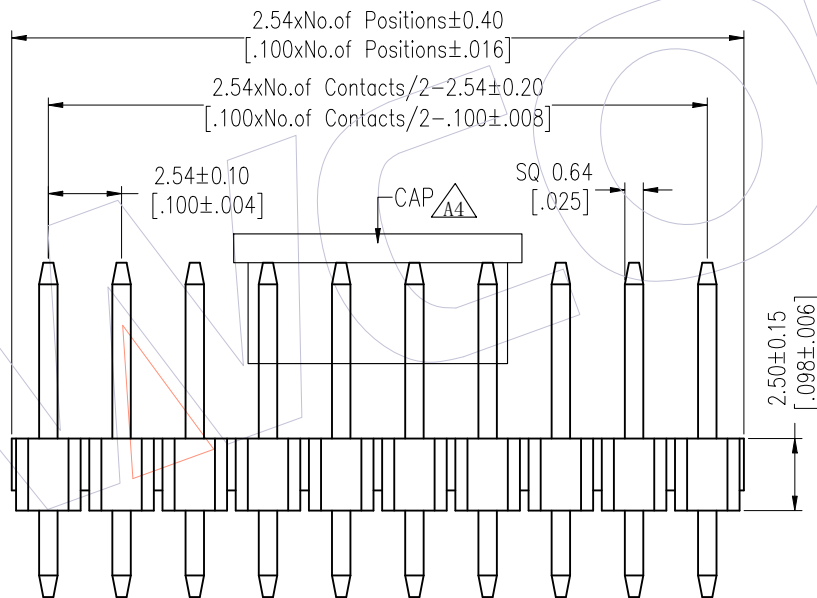
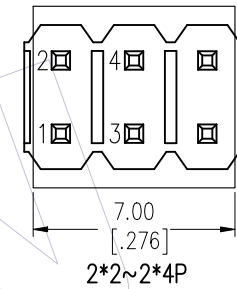
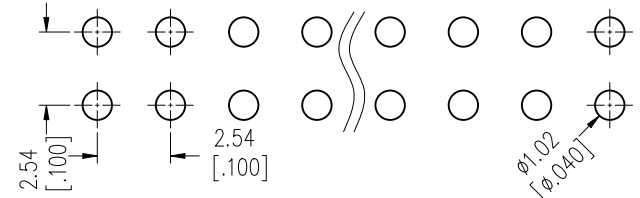
1125-12 XX XX S XXX C X XX △A4

No. of Pins Per Row: 02-40	Contact Plating G0=Gold Flash G3=10u"Gold G4=15u"Gold G5=30u"Gold S0=Gold Flash/Tin S3=10u"Gold/Tin S4=15u"Gold/Tin S5=30u"Gold/Tin SN=Tin SM=Matte Tin	Pin Length L=A+B+2.5 Standard: 085=8.5 095=9.5 105=10.5 116=11.6 118=11.8 135=13.5	Insulator Material C=PA9T	Packing 0=PE Bag T=Tube P=Tube+CAP R=Tape & Reel+CAP	Series No. 01-99
-------------------------------	---------------------------------------------------------------------------------------------------------------------------------------------------------------------------------------	---------------------------------------------------------------------------------------------------------	---------------------------------	---------------------------------------------------------------------	---------------------

Item	Pin Length	A	B	Mating
Standard	8.50	3.00	3.00	2135
	9.50	3.00	4.00	2145
	10.50	3.00	5.00	2150
	11.60	3.00	6.10	2171 2185 △A4
	11.80	2.40	6.90	2171 2185
	13.50	3.00	8.00	
Alternate				



Recommended P.C.B Layout (Top Side)
 (PCB BOARD TOLERANCE ±0.05)



A4	2021/01/29	Add CAP	△A4	DuYing	OPERATION	DRAW	DATE	SCALE	Fit	PART NO.
A3	2018/06/02	Cancel PBT & Modify P/N	△A3	Surong Xu	x.X ±0.40	DuYing	2018/06/02	UNIT	mm [inch]	1125-12XXXXXXXCXXX △A4
A2	2018/01/22	Modify P/N	△A2	-----	x.XX ±0.25	CHECK	DATE	SIZE	A4	TITLE:
A0	2012/05/28	NEW	-----	-----	x.XXX ±0.15	APPROVE	DATE	SHEET	1/1	PH2.54 DUAL ROW S/T H=2.5
REV	DATE	MODIFICATION DESCRIPTION	CHANGE	-----	Angle ± 3°	APPROVE	DATE	PROJ.	Customer NO.	
					DIM TOL					

WCON

Http: www.wcon.com

WCON-Dongguan	WCON-Kunshan
Tel: +86 769 85358920	Tel: +86 512 57468408
Fax: +86 769 85358915	Fax: +86 512 57468468
E-mail: sales@wcon.com	E-mail: salesks@wcon.com