

# HSF

NOTES:  
 Rated Current: 3.0AMP.  
 Contact Resistance: 20mΩ Max.  
 Withstand Voltage: 1000V AC/DC  
 Insulation Resistance: 1000MΩ Min.  
 Operation Temperature: -40°C to +105°C

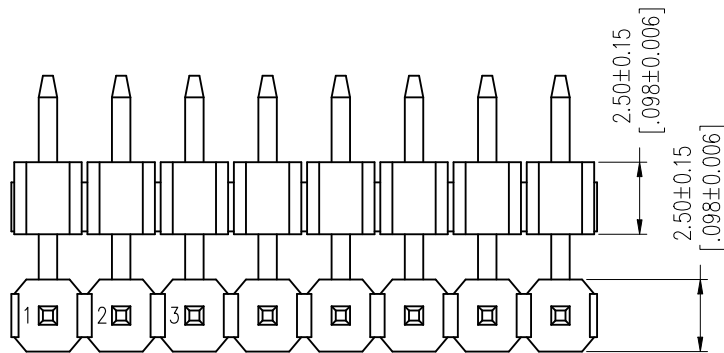
Contact Material: Brass  
 Contact Plating: Au or Sn Over Ni  
 Insulator Material: PA9T+33%G.F UL94V-0 BK

$\triangle A2$

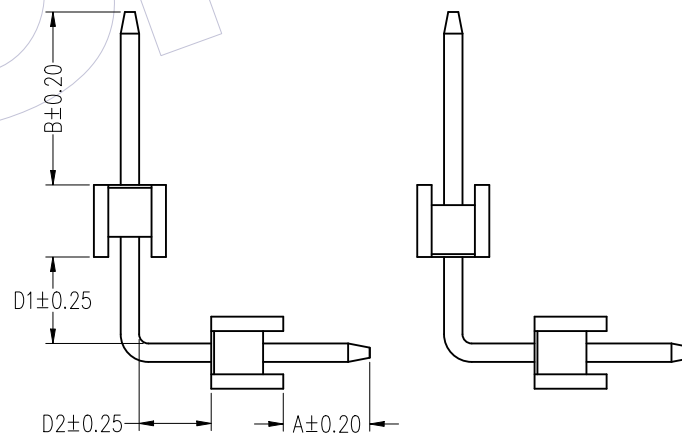
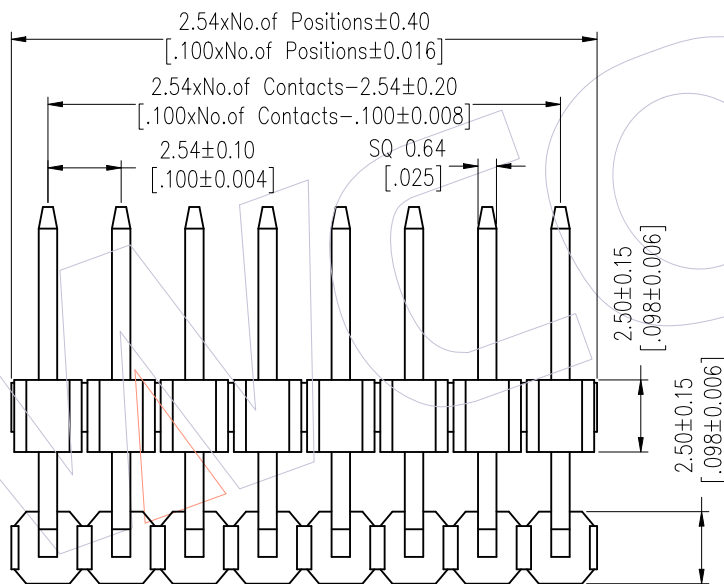
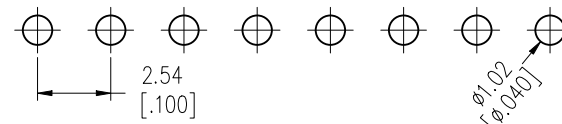
## Ordering Information

1125-21 XX XX R XXX  $\triangle A2$  C 0 XX  $\triangle A1$

No. of Pins 02-40	Contact Plating G0=Gold Flash G3=10u"Gold G4=15u"Gold G5=30u"Gold S0=Gold Flash/Tin S3=10u"Gold/Tin S4=15u"Gold/Tin S5=30u"Gold/Tin SN=Tin SM=Matte Tin	Pin Length L=A+B+D1+D2+5.3 Standard:	Insulator Material C=PA9T	Packing 0=PE Bag T=Tube	Series No. 01-99
----------------------	---	--	------------------------------	-------------------------------	---------------------



Recommended P.C.B Layout (Top Side)  
 (PCB BOARD TOLERANCE±0.05)



TYPE 3

TYPE 4

Item	Pin Length	A	D1	B	D2	Mating
Standard	---	3.00	---	6.00	---	2171 2185
Alternate						

REV	DATE	MODIFICATION DESCRIPTION	CHANGE	OPERATION	DRAW	DATE	SCALE	Fit	PART NO.
A2	2018/06/02	Cancel PBT & Modify P/N	$\triangle A2$	x.x ±0.40	XSR	2018/06/02	UNIT mm		1125-21XXXXRXXXXCOXX $\triangle A1$ $\triangle A2$
A1	2018/01/22	Modify P/N	$\triangle A1$	x.xx ±0.25	CHECK	DATE	SIZE A4		TITLE: PH2.54 SINGLE ROW DOUBLE PLASTIC 90° MIDDLE BENDING H=2.5
A0	2012/05/17	NEW	-----	x.xxx ±0.15			SHEET 1/1		Customer NO.
				Angle ± 3°	APPROVE	DATE	PROJ.		
				DIM TOL					

# WCON

Http: www.wcon.com

WCON-Dongguan	WCON-Kunshan
Tel: +86 769 85358920	Tel: +86 512 57468408
Fax: +86 769 85358915	Fax: +86 512 57468468
E-mail: sales@wcon.com	E-mail: salesks@wcon.com