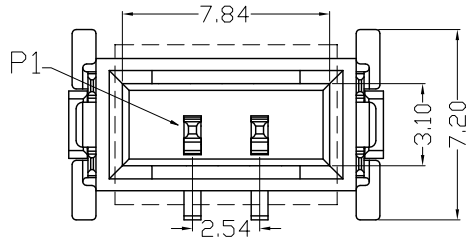
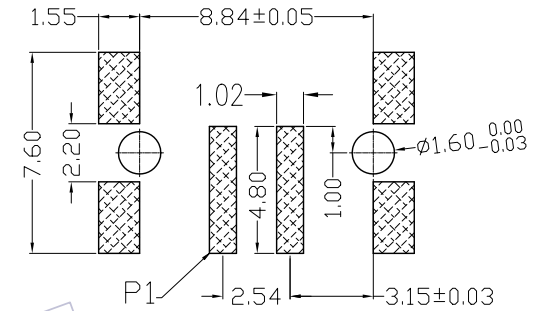


NOTES:

- 1.No.of Positions: 2 Pin
- 2.Rated Current:12.0 A Max;
- 3.Contact Resistance: 20mΩ Max;
- 4.Withstand Voltage: 2000V AC;
- 5.Insulation Resistance:1000MΩ Min ;
- 6.Operation Temperature: -55℃ to +150℃ ;
- 7.Housing Material: LCP
- 8.Contact Material: Copper Alloy ;
- 9.Contact Plating: Au over Ni ;



Recommended P.C.B Layout(Top Side)  
(PCB BOARD TOLERANCE±0.05)

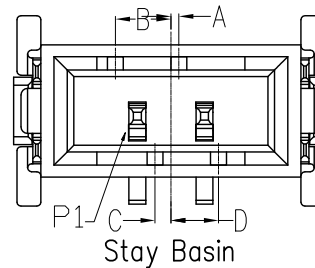
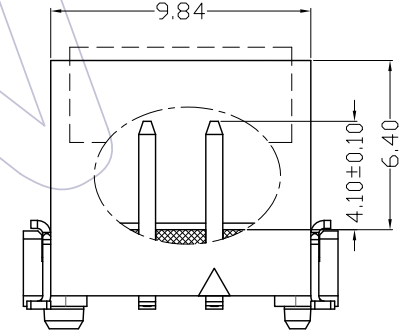
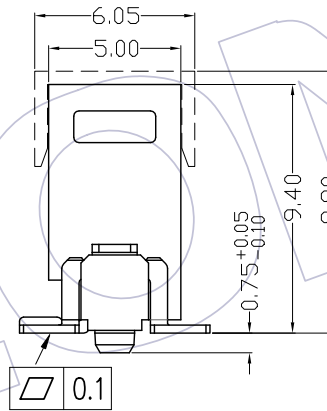
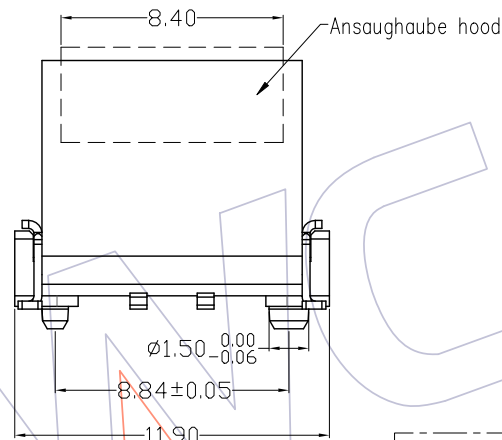


**Ordering Information**

3915-P 02-1 M XX W D X R 1

Contact Plated:  
W3=10u" Gold /Matte Sn  
W4=15u" Gold /Matte Sn  
W5=30u" Gold /Matte Sn

Color:  
B=BLACK  
U=BLUE  
G=GREEN  
R=RED



PART NO.	COLOR	防呆尺寸			
		A	B	C	D
3915-P02-1MXXWDBR1	BLACK	0.3	2.1	0.6	1.8
3915-P02-1MXXWDUR1	BLUE	0.9	1.5	1.2	1.2
3915-P02-1MXXWDGR1	GREEN	1.5	0.9	1.8	0.6
3915-P02-1MXXWDRR1	RED	2.1	0.3	2.4	0.0

REV	DATE	MODIFICATION DESCRIPTION	CHANGE	OPERATION		DRAW	DATE	SCALE	FIT	PART NO.	TITLE:	WCON	
				X.X	±0.40							Ding	2019/07/05
				X.XX	±0.25	CHECK	DATE	SIZE	A4	3915-P02-1MXXWDXR1	LSC Connector - Single Row 180° SMT Plug (2 PIN)	WCON-Dongguan	
				X.XXX	±0.15	APPROVE	DATE	SHEET	1/1			WCON-Kunshan	
				Angle	± 3'			PROJ.	Customer NO.	Tel: +86 769 85358920		Tel: +86 512 57468408	
				DIM	TOL					Fax: +86 769 85358915		Fax: +86 512 57468468	
										E-mail: sales@wcon.com		E-mail: sales@wcon.com	