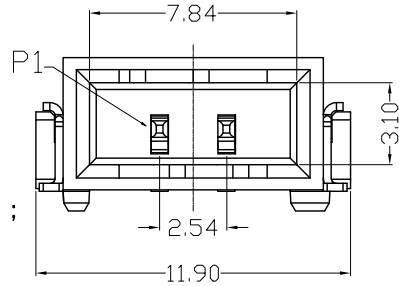
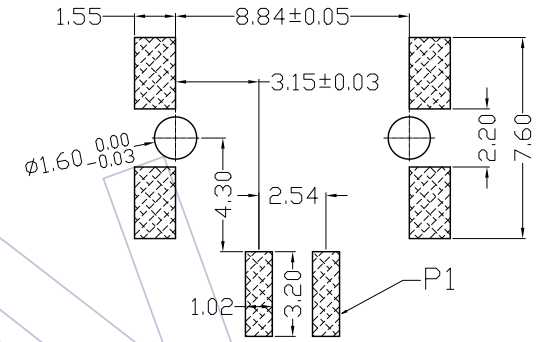


**NOTES:**

- 1.No.of Positions: 2 Pin
- 2.Rated Current: 12.0 A Max;
- 3.Contact Resistance: 20mΩ Max;
- 4.Withstand Voltage: 2000V AC;
- 5.Insulation Resistance: 1000MΩ Min ;
- 6.Operation Temperature: -55℃ to +150℃ ;
- 7.Housing Material: LCP
- 8.Contact Material: Copper Alloy ;
- 9.Contact Plating: Au over Ni ;



**Recommended P.C.B Layout(Top Side)**  
(PCB BOARD TOLERANCE±0.05)



**Ordering Information**

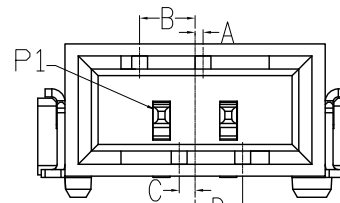
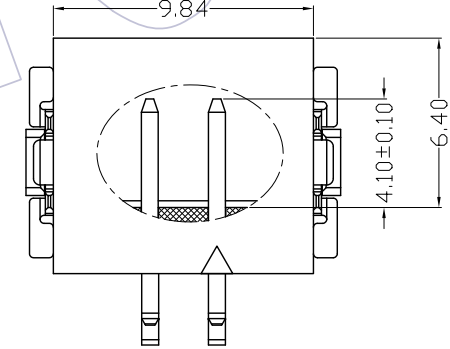
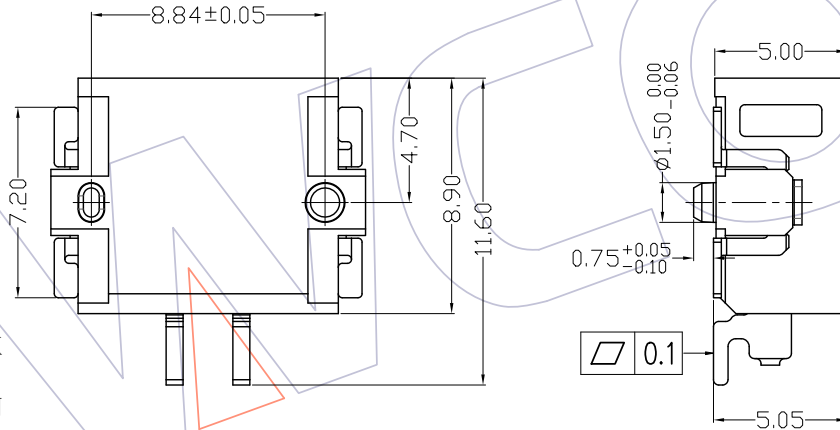
3915-P 02-1 Z XX W D X R 1

Contact Plated:

- W3=Se1.10u" Au/Matte Sn
- W4=Se1.15u" Au/Matte Sn
- W5=Se1.30u" Au/Matte Sn

Color:

- B=BLACK
- U=BLUE
- G=GREEN
- R=RED



Stay Basin

PART NO.	COLOR	防呆尺寸			
		A	B	C	D
3915-P02-1ZXXWDBR1	BLACK	0.3	2.1	0.6	1.8
3915-P02-1ZXXWDUR1	BLUE	0.9	1.5	1.2	1.2
3915-P02-1ZXXWDGR1	GREEN	1.5	0.9	1.8	0.6
3915-P02-1ZXXWDRR1	RED	2.1	0.3	2.4	0.0

			OPERATION		DRAW Ding	DATE 2019/03/26	SCALE UNIT	FIT mm inch	PART NO. 3915-P02-1ZXXWDXR1	TITLE: LSC Connector - Single Row 90° SMT Plug (2 PIN)	 Http: www.wcon.com WCON-Dongguan Tel: +86 769 85358920 WCON-Kunshan Tel: +86 512 57468408 Fax: +86 769 85358915 E-mail: sales@wcon.com	
			x.x	±0.40								
			x.xx	±0.25	APPROVE	DATE	SHEET 1/1	PROJ.	Customer NO.			
			x.xxx	±0.15						Angle	± 3'	
AO	2019/03/26	NEW										
REV	DATE	MODIFICATION DESCRIPTION	CHANGE	DIM	TOL							