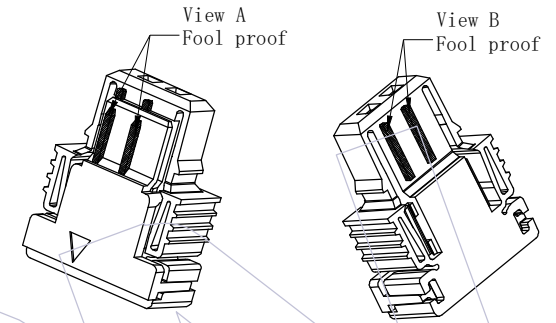
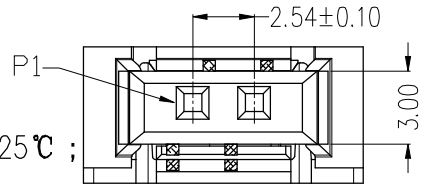


NOTES:

- 1.No.of Positions: 2 Pin
- 2.Withstand Voltage: 2000V AC; $\Delta$
- 3.Insulation Resistance: 1000M $\Omega$  Min ;
- 4.Operation Temperature: -55 $^{\circ}$ C to +125 $^{\circ}$ C ;
- 5.Housing Material: PA46

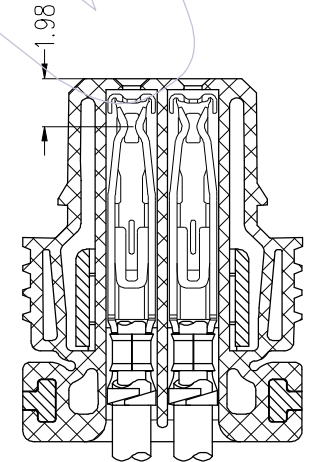
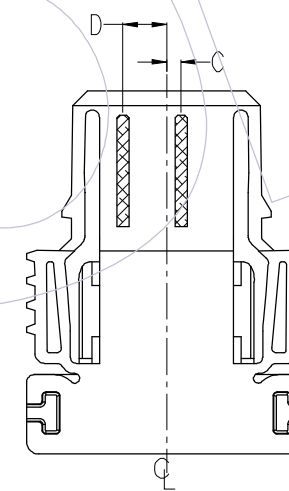
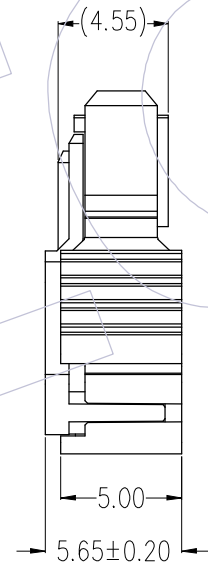
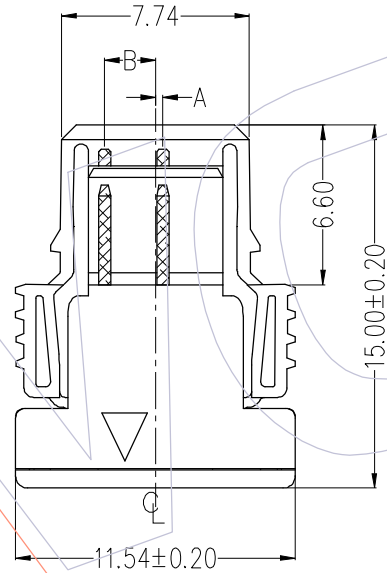


Fool proof diagram

## Ordering Information

3915-S 02-1 C 00 G E X A 1

Color:  
 B=BLACK  
 U=BLUE  
 G=GREEN  
 R=RED



Terminal diagram

PART NO.	COLOR	防呆尺寸			
		A	B	C	D
3915-S02-1C00GEB A1	BLACK	0.3	2.1	0.6	1.8
3915-S02-1C00GEU A1	BLUE	0.9	1.5	1.2	1.2
3915-S02-1C00GEG A1	GREEN	1.5	0.9	1.8	0.6
3915-S02-1C00GER A1	RED	2.1	0.3	2.4	0.0

REV	DATE	MODIFICATION DESCRIPTION	CHANGE	DIM	TOL	OPERATION	DRAW	DATE	SCALE	FIT	PART NO.
A3	2022/09/05	Modified Withstand Voltage	---			OPERATION	GH	2022/09/05	UNIT	mm	3915-S02-1C00GEXA1
A2	2022/07/22	Terminal Add Fool Proof	---	x.x	±0.40		CHECK	DATE	inch		
A1	2019/07/26	Update surface	---	x.xx	±0.25			DATE	SIZE	A4	TITLE:
A0	2019/03/25	NEW	---	x.xxx	±0.15			DATE	SHEET	1/2	LSC Connector - Single Row
				Angle	± 3'	APPROVE		DATE	PROJ.	$\phi$ $\rightarrow$	Socket Crimp type (2 PIN)
											Customer NO.

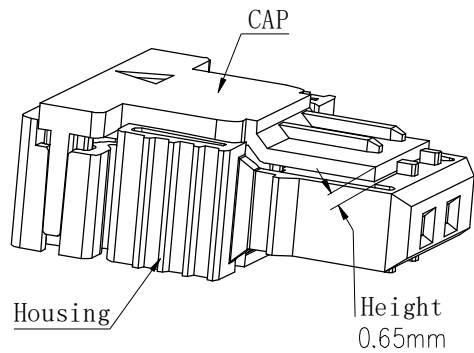
# WCON

Http: www.wcon.com

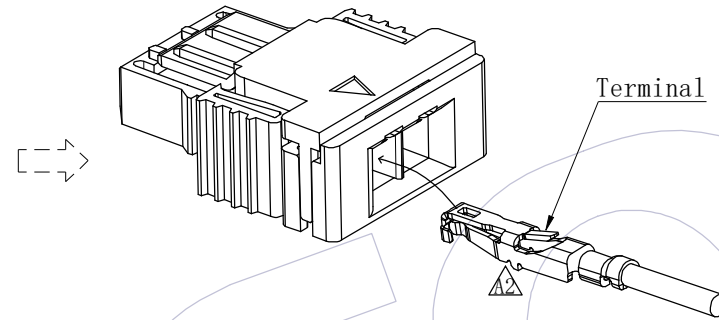
WCON-Dongguan Tel: +86 769 85358920 Fax: +86 769 85358915 E-mail: sales@wcon.com

WCON-Kunshan Tel: +86 512 57468408 Fax: +86 512 57468468 E-mail: salesks@wcon.com

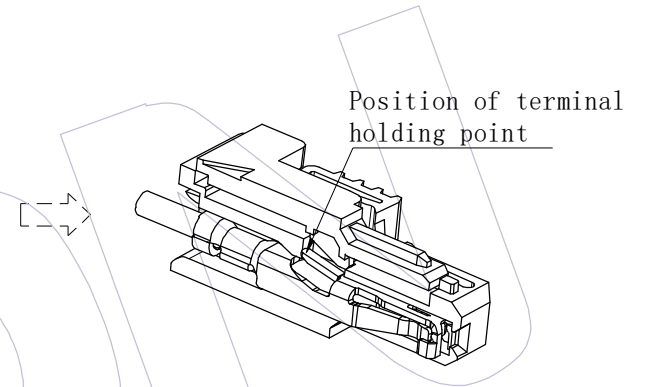
# Instructions:



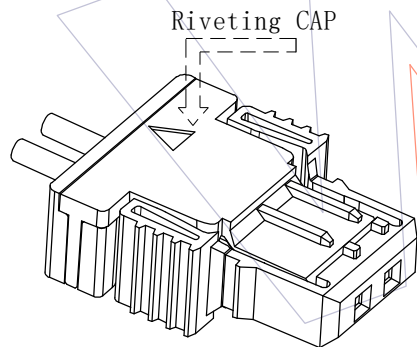
Cover loose mounted



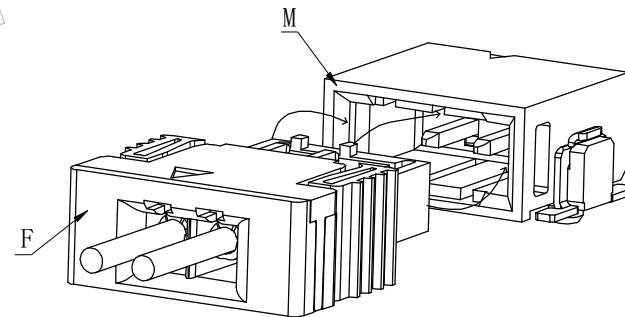
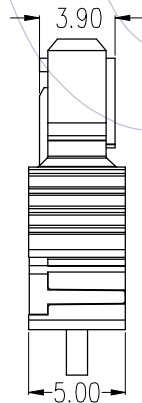
Inserted Female Terminal




Internal structure diagram



Riveting diagram



Male/Female Mate

A3	2022/09/05	Modified Withstand Voltage	—	OPERATION	DRAW	DATE	SCALE	FIT	PART NO.	 Http: <a href="http://www.wcon.com">www.wcon.com</a>	
A2	2022/07/22	Terminal Add Fool Proof	—	x.x	GH	2022/09/05	UNIT	mm	TITLE:		
A1	2019/07/26	Update surface	—	x.xx	CHECK	DATE	SIZE	inch			LSC Connector - Single Row
A0	2019/03/25	NEW	—	x.xxx	APPROVE	DATE	SHEET	A4	Socket Crimp type (2 PIN)		
REV	DATE	MODIFICATION DESCRIPTION	CHANGE	Angle			PROJ.	2/2	Customer NO.		
				DIM	TOL					WCON-Dongguan Tel: +86 769 85358920 Fax: +86 769 85358915 E-mail: <a href="mailto:sales@wcon.com">sales@wcon.com</a>	WCON-Kunshan Tel: +86 512 57468408 Fax: +86 512 57468468 E-mail: <a href="mailto:salesks@wcon.com">salesks@wcon.com</a>