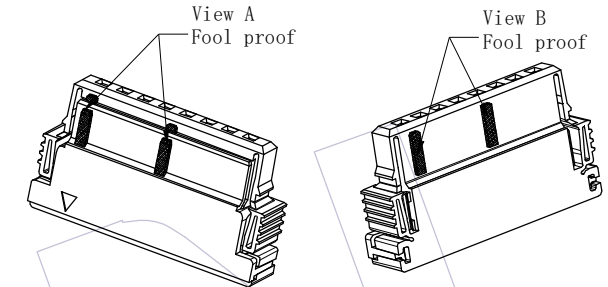
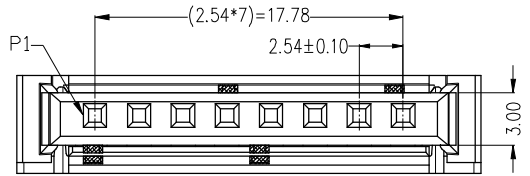


# HSF

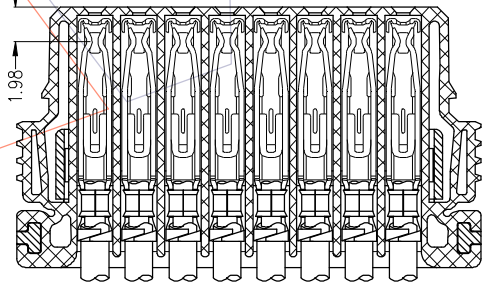
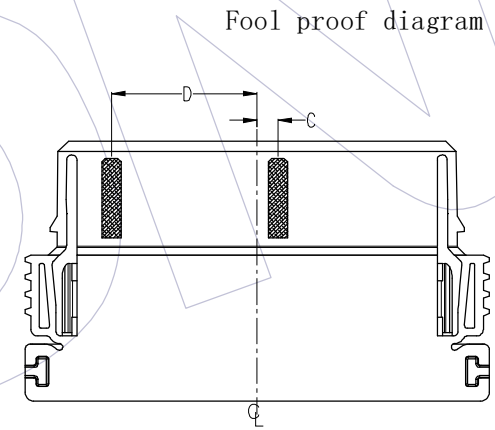
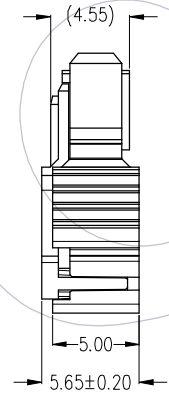
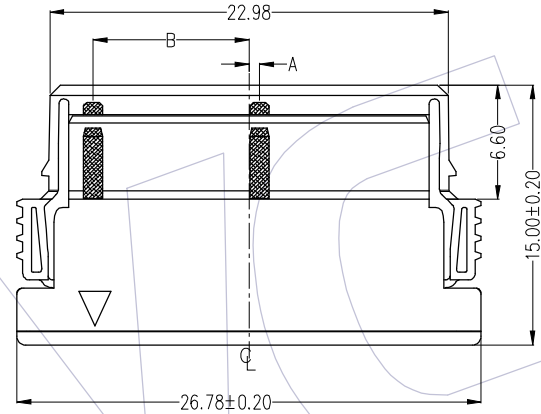
- NOTES:
- 1.No.of Positions: 8 Pin
  - 2.Withstand Voltage: 2000V AC;△
  - 3.Insulation Resistance:1000MΩ Min;
  - 4.Operation Temperature: -55℃ to +125℃;
  - 5.Housing Material: PA46



## Ordering Information

3915-S 08-1 C 00 G E X A 1

- Color:
- B=BLACK
  - U=BLUE
  - G=GREEN
  - R=RED



Terminal diagram

PART NO.	COLOR	防呆尺寸			
		A	B	C	D
3915-S08-1C00GEB A1	BLACK	0.6	9.0	1.2	8.4
3915-S08-1C00GEU A1	BLUE	1.8	7.8	2.4	7.2
3915-S08-1C00GEG A1	GREEN	3.0	6.6	3.6	6.0
3915-S08-1C00GER A1	RED	4.2	5.4	4.8	4.8

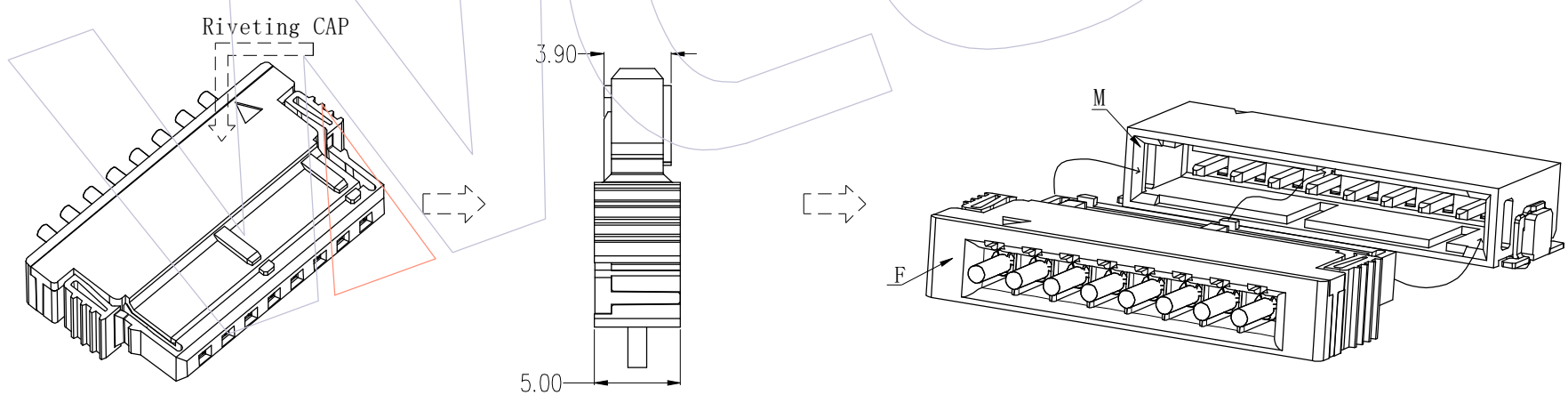
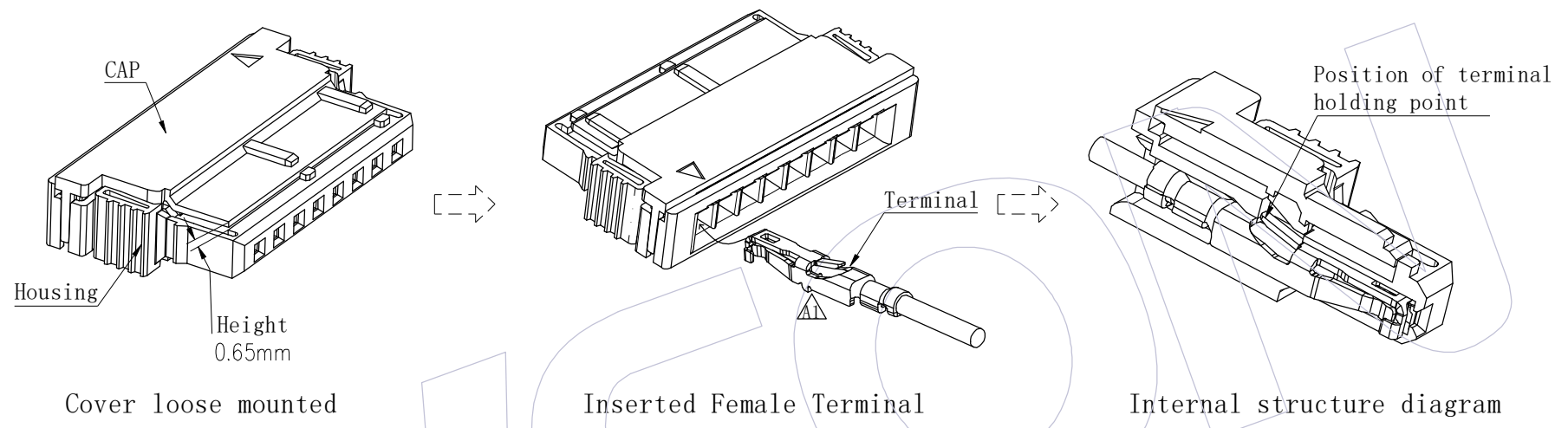
REV	DATE	MODIFICATION DESCRIPTION	CHANGE	OPERATION	DRAW GH	DATE	SCALE	FIT	PART NO.	TITLE:	Customer NO.
A2	2022/09/05	Modified Withstand Voltage	—	x.x ±0.40	GH	2022/09/05	UNIT	mm	3915-S08-1C00GEXA1		
A1	2022/07/22	Terminal Add Fool Proof	—	x.xx ±0.25	CHECK	DATE	SIZE	inch			
A0	2019/12/11	NEW	—	x.xxx ±0.15	APPROVE	DATE	SHEET	A4	3915-S08-1C00GEXA1	LSC Connector - Single Row Socket Crimp type (8 PIN)	WCON-Kunshan Tel: +86 512 57468408 Fax: +86 512 57468468 E-mail: sales@wcon.com
				Angle ± 3°			PROJ.	1/2			
				DIM TOL							

# WCON

Http: www.wcon.com

**HSF**

Instructions:



REV	DATE	MODIFICATION DESCRIPTION	CHANGE	OPERATION	DRAW GH	DATE	SCALE	FIT	PART NO.
A2	2022/09/05	Modified Withstand Voltage	—	x.x ±0.40	GH	2022/09/05	UNIT	mm	3915-S08-1C00GEXA1
A1	2022/07/22	Terminal Add Fool Proof	—	x.xx ±0.25	CHECK	DATE	SIZE	inch	
A0	2019/12/11	NEW	—	x.xxx ±0.15	APPROVE	DATE	SHEET	2/2	TITLE: LSC Connector - Single Row Socket Crimp type (8 PIN)
				Angle ± 3°			PROJ.	⊕	Customer NO.
				DIM TOL					

**WCON**  
Http: www.wcon.com

WCON-Dongguan Tel: +86 769 85358920  
WCON-Kunshan Tel: +86 512 57468408  
Fax: +86 769 85358915 Fax: +86 512 57468468  
E-mail: sales@wcon.com E-mail: salesks@wcon.com