

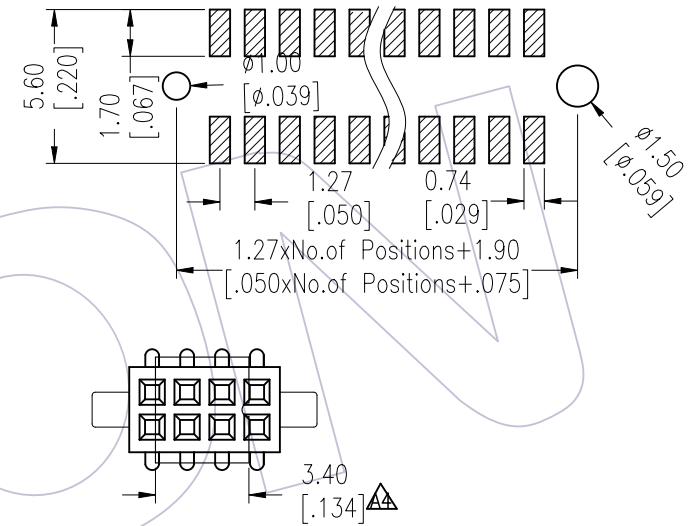
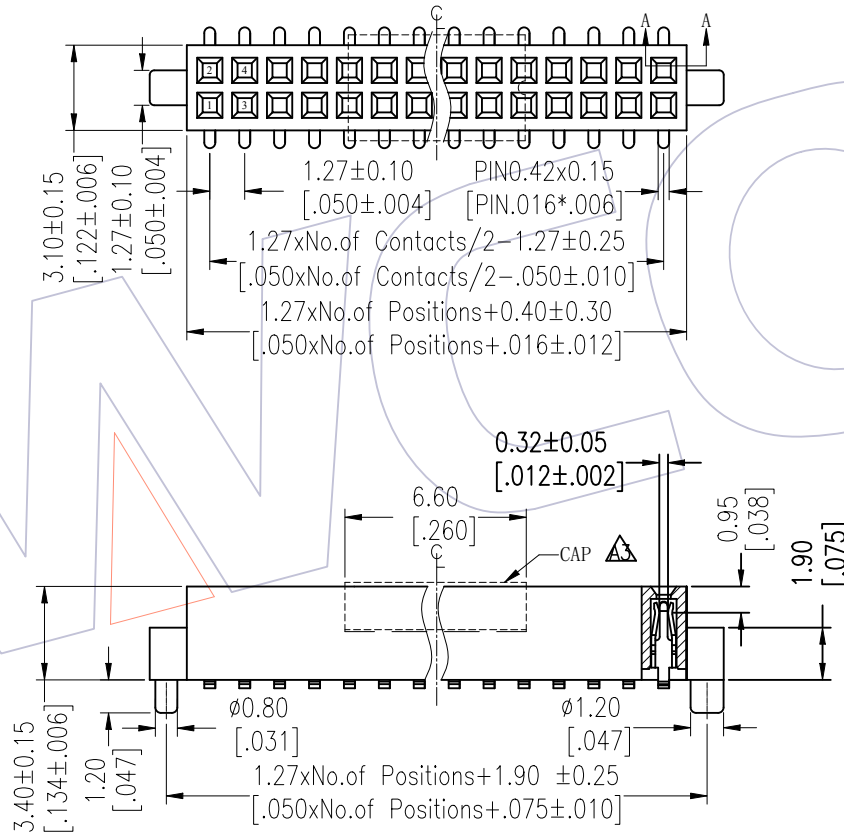
HSF

NOTES:

Current Rating:1.0AMP
 Contact Resistance:20mΩ Max
 Withstand Voltage:500V AC
 Insulation Resistance:1000MΩ Min
 Operation Temperature:-40°C to +105°C

Contact Material:Phosphor Bronze
 Contact plating:Au over Ni
 Insulator Material:PA9T+33%GF UL94V-0

Recommended P.C.B Layout(Top Side)
 (PCB BOARD TOLERANCE±0.05)



Ordering Information

2334-2 XX M XX CUN X 3

No. of Pins per Row: 02-50Pin

Contact Plating:
 G0=Gold Flash
 G3=10u"Gold
 G4=15u"Gold
 G5=30u"Gold

Packing:
 T=Tube
 P=Tube+CAP
 R=Tape&Reel+CAP

Item	Pitch	Mating
Standard	1.27	1310/1315/1320/3131
Alternate		

Pin(Per Row)	2-15P	16-30P	31-50P
M	0.10	0.15	0.18

A5	2023/02/03	Modify Flatness	XSR	OPERATION	DRAW	DATE	SCALE	FIT	PART NO. 2334-2XXMXXCUNX3
A4	2016/06/17	Modify CAP 3.00 → 3.40	-----	x.X ±0.40	XSR	2023/02/03	UNIT	mm	
A3	2014/12/30	Modify CAP	-----	x.XX ±0.25	CHECK	DATE	SIZE	A4	TITLE: 1.27mm Female Header DUAL ROW SMT WITH DIFFERENT POST AND CAP H=3.40
A0	2012/07/06	NEW	-----	x.XXX ±0.15	APPROVE	DATE	SHEET	1/1	
REV	DATE	MODIFICATION DESCRIPTION	CHANGE	Angle ± 3°	APPROVE	DATE	PROJ.	Customer NO.	
				DIM TOL					

WCON

Http: www.wcon.com

WCON-Dongguan Tel: +86 769 85358920
 WCON-Kunshan Tel: +86 512 57468408
 Fax: +86 769 85358915
 Fax: +86 512 57468468
 E-mail: sales@wcon.com
 E-mail: salesks@wcon.com