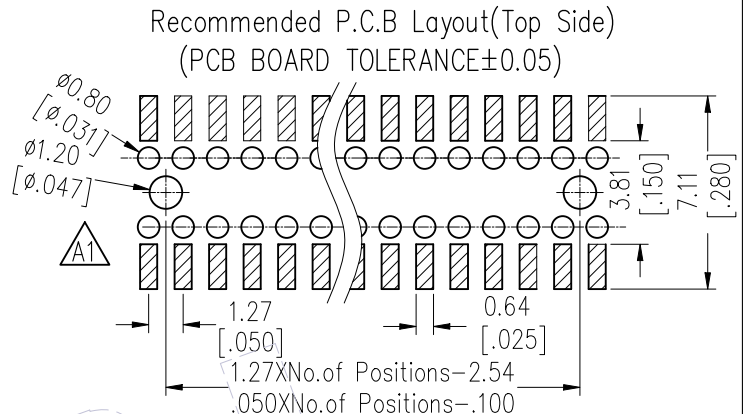
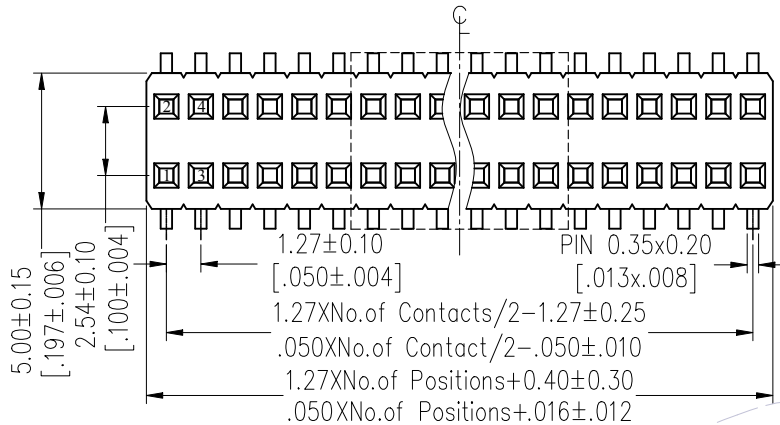


HSF

NOTES:
 Current Rating: 1.0AMP
 Contact Resistance: 20mΩ Max
 Withstand Voltage: 500V AC
 Insulation Resistance: 1000MΩ Min
 Operation Temperature: -40°C to +105°C

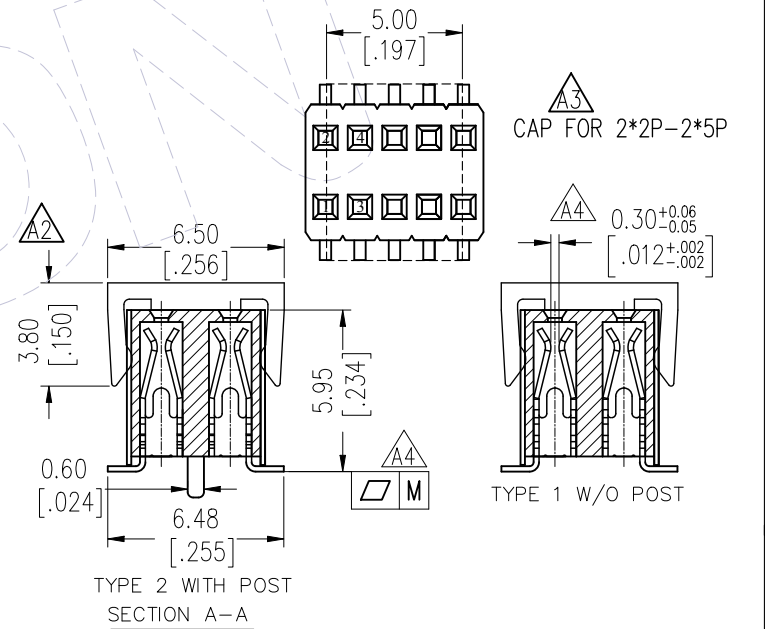
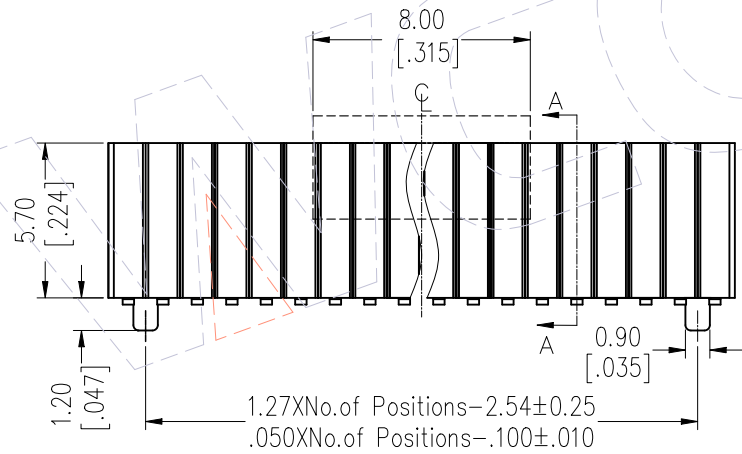
Contact Material: Phosphor Bronze
 Contact plating: Au Or Sn over Ni
 Insulator Material: PA9T+33%GF UL94V-0



Ordering Information

2457-2 XX M XX CUN X X

- No. of Pins per Row: 02-50Pin
- Contact Plating:
 G0=Gold Flash
 G3=10μ"Gold
 G4=15μ"Gold
 G5=30μ"Gold
 S0=Gold Flash/Tin
 S3=10μ"Gold/Tin
 S4=15μ"Gold/Tin
 S5=30μ"Gold/Tin
 SN=Tin
- Packing:
 T=Tube
 P=Tube+CAP
 R=Tape&Reel+CAP
- Series No.
 1=Type 1
 2=Type 2



Item	Pitch	Mating
Standard	1.27*2.54	1417/1425
Alternate		

	Pin(Per Row)	2-15P	16-30P	31-50P	TITLE	PART NO.
A4	M	0.10	0.15	0.18	TYPE 1	2457-2XXMXXCUNX1
					TYPE 2	2457-2XXMXXCUNX2

REV	DATE	MODIFICATION DESCRIPTION	CHANGE	OPERATION	DRAW	DATE	SCALE	FIT	PART NO.
A4	2023/02/07	Modify Flatness	-----	OPERATION	DRAW	DATE	SCALE	FIT	PART NO.
A3	2018/07/06	ADD 5.0 CAP FOR 2*2P-2*5P	-----	X.X ±0.40	XSR	2023/02/07	UNIT	mm	SEE TABLE
A2	2013/06/17	Modify CAP 4.30 → 3.80	-----	X.XX ±0.25	CHECK	DATE	SIZE	A4	TITLE:
A0	2012/07/10	NEW	-----	X.XXX ±0.15			SHEET	1/1	1.27*2.54 mm Female Header
				Angle ± 3°	APPROVE	DATE	PROJ.		DUAL Row 180'SMT H=5.7
				DIM TOL					Customer NO.

WCON
 Http: www.wcon.com
 WCON-Dongguan Tel: +86 769 85358920
 WCON-Kunshan Tel: +86 512 57468408
 Fax: +86 769 85358915 Fax: +86 512 57468468
 E-mail: sales@wcon.com E-mail: salesks@wcon.com