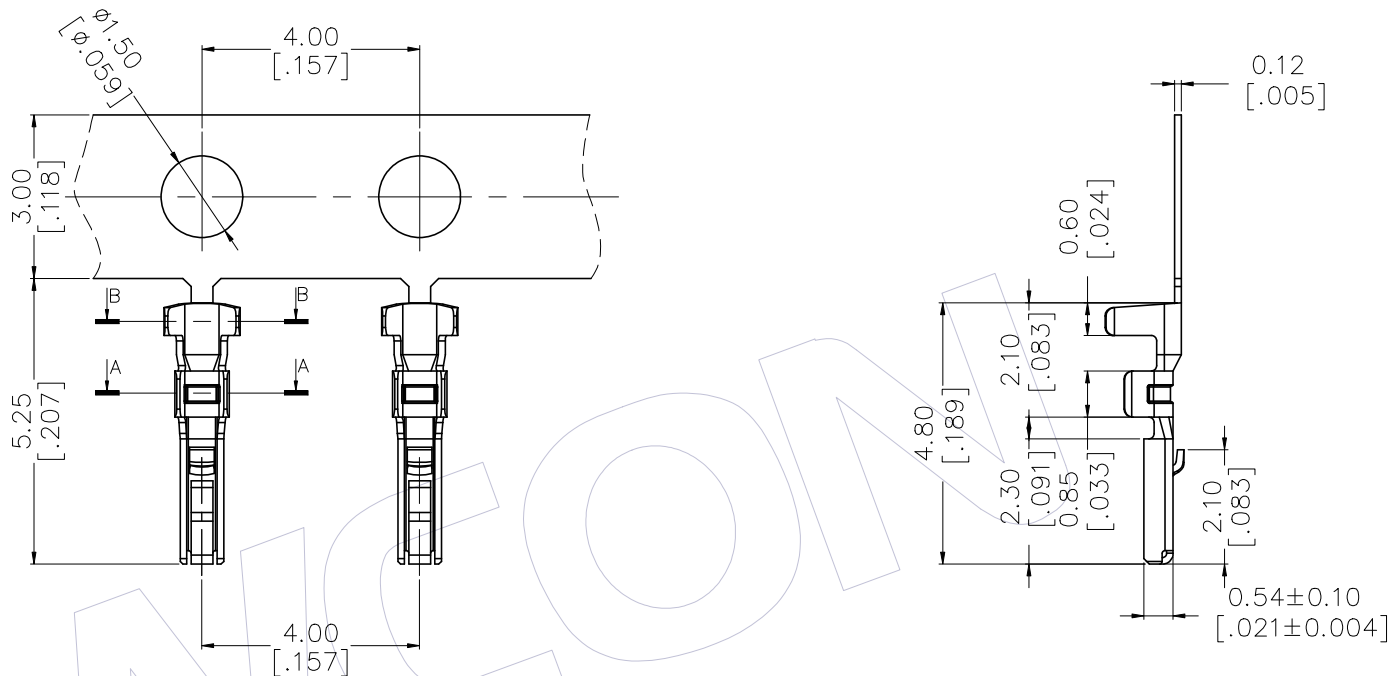


HSF

NOTES:

Current Rating: 1.0A AC/DC
 Voltage Rating: 50V AC/DC
 Temperature Range: -40℃ to +105℃ Δ
 Contact Resistance: 30mΩ Max.
 Insulation Resistance: 100MΩ Min.
 Withstanding Voltage: 500V AC/Minute

Material: Phosphor Bronze
 Contact plating: Sn over Ni or Au over Ni
 Insulation O.D.: ϕ 0.80to1.0mm(Max)
 Fit wire Range: 28#~32#AWG Δ

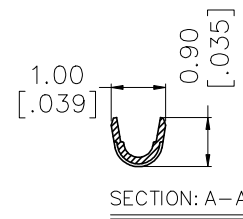
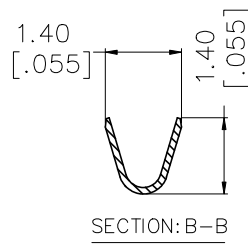
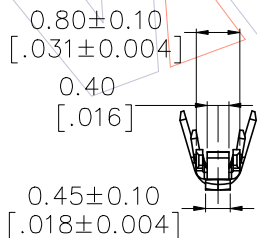


Ordering Information

WF1256-T P XX 01

Terminal Material
 P:Phosphor Bronze

Contact Plating:
 S0=Gold Flash/Tin
 S3=10u"Gold/Tin
 S4=15u"Gold/Tin
 S5=30u"Gold/Tin
 SN=Tin



REV	DATE	MODIFICATION DESCRIPTION	CHANGE	OPERATION	DRAW	DATE	SCALE	PART NO.
A2	2021.08.11	Modify Operation Temperature	Δ	DuYing	X.X	2021.08.11	1:1	WF1256-TPXX01
A1	2019.10.26	Add wire Range	Δ	SU	X.XX		mm inch	
A0	2012.11.05	NEW		LKP	X.XXX		A4	TITLE: 1.25mm Crimp Terminal
				Angle	± 3°	APPROVE	1/1	Customer NO.
				DIM	TOL		PROJ.	

WCON

Http: www.wcon.com

WCON-Dongguan
 Tel: +86 769 85358920
 Fax: +86 769 85358915
 E-mail: sales@wcon.com

WCON-Kunshan
 Tel: +86 512 57468408
 Fax: +86 512 57468468
 E-mail: salesks@wcon.com