

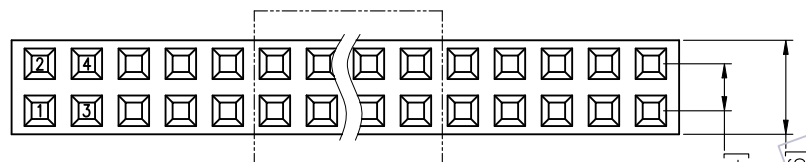
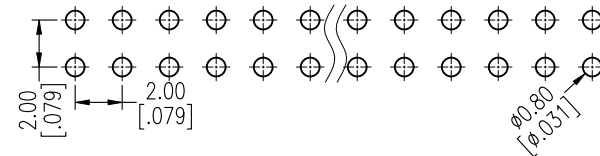
HSF

NOTES:

Current Rating: 2.0AMP
 Contact Resistance: 20mΩ Max
 Withstand Voltage: 500V AC/DC
 Insulation Resistance: 1000MΩ Min
 Operation Temperature: -40°C to +105°C

Contact Material: Phosphor Bronze
 Contact plating: Au Or Sn over Ni
 Insulator Material: PA9T+33%GF UL94V-0

Recommended P.C.B Layout (Top Side)
 (PCB BOARD TOLERANCE ±0.05)



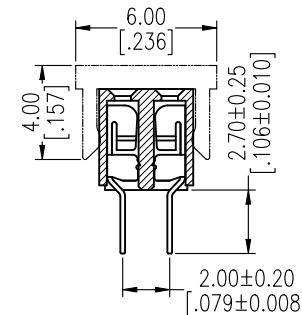
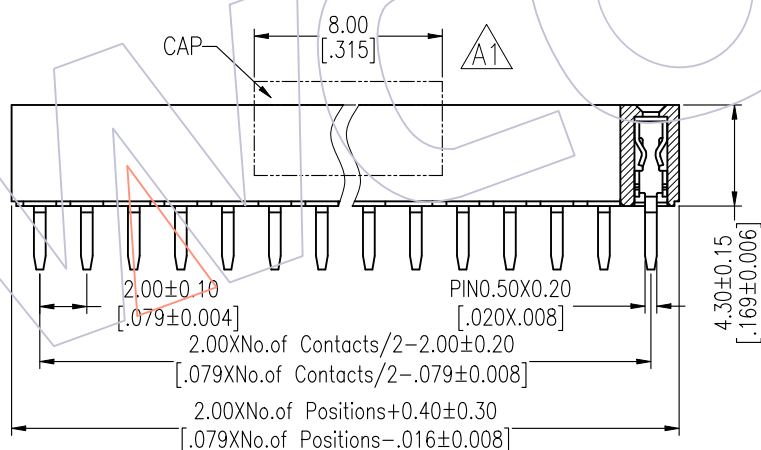
Ordering Information

2243N-2 XX S XX CUN X 1

No. of Pins per Row: 02-40Pin

Contact Plating:
 G0=Gold Flash
 G3=10μ"Gold
 G4=15μ"Gold
 G5=30μ"Gold
 S0=Gold Flash/Tin
 S3=10μ"Gold/Tin
 S4=15μ"Gold/Tin
 S5=30μ"Gold/Tin
 SN= Tin
 SM=Matte Tin

Packing:
 T=Tube
 P=Tube+CAP
 R=Tape&Reel+CAP



Item	Pitch	Mating
Standard	2.00	1215/1220/3111
Alternate		

REV	DATE	MODIFICATION DESCRIPTION	CHANGE	OPERATION	DRAW	DATE	SCALE	FIT	PART NO.
				x.x	±0.40	Surong Xu	2016/12/26	UNIT	mm
A1	2016/12/26	ADD CAP, P/N2243N-2XXSXXCUNT1 change to 2243N-2XXSXXCUNX1	-----	x.xx	±0.25	CHECK	DATE	SIZE	A4
A0	2012/07/12	NEW	-----	x.xxx	±0.15	APPROVE	DATE	SHEET	1/1
				Angle	± 3'			PROJ.	Customer NO.
				DIM	TOL				



Http: www.wcon.com

WCON-Dongguan WCON-Kunshan

Tel: +86 769 85358920 Tel: +86 512 57468408

Fax: +86 769 85358915 Fax: +86 512 57468468

E-mail: sales@wcon.com E-mail: salesks@wcon.com