

# HSF

## Recommended P.C.B Layout(Top Side) (PCB BOARD TOLERANCE±0.05)

### NOTES:

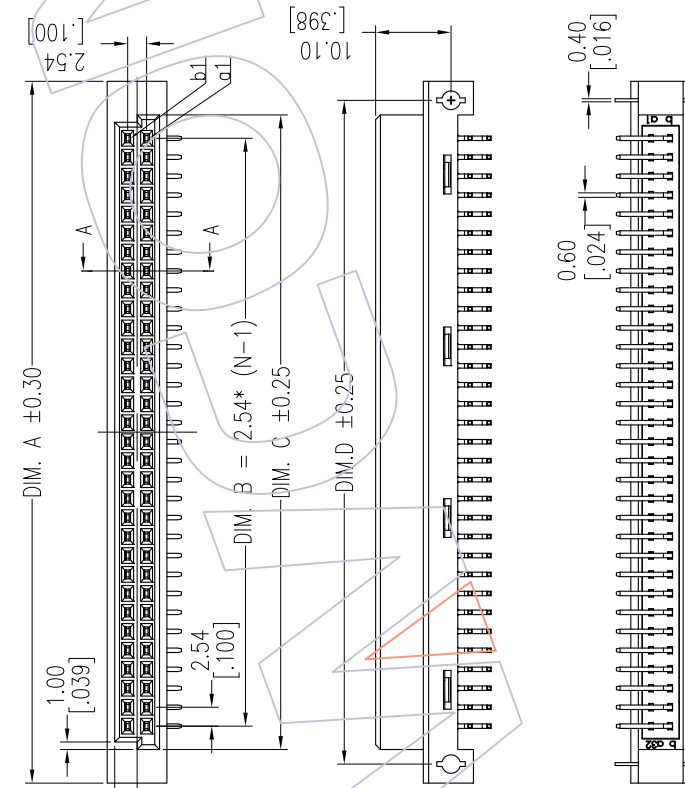
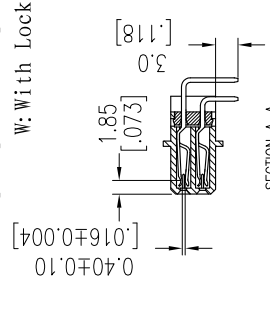
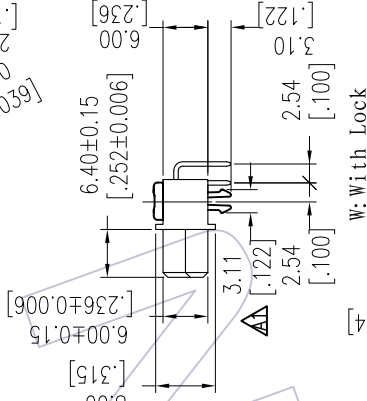
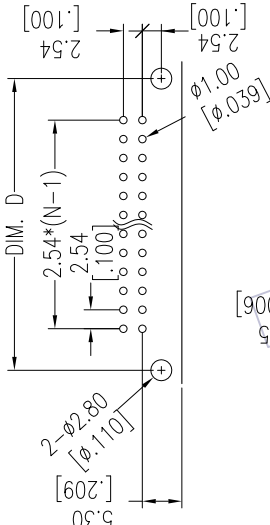
Current Rating: 3.0AMP  
 Contact Resistance:30mΩ max  
 Withstand Voltage:1000V AC/DC  
 Insulation Resistance:1000MΩ  
 Operation Temperature: -55℃~+105℃

Contact Material: Phosphor Bronze  
 Contact Plating: Au and Sn over Ni  
 Fixing Material: Phosphor Bronze  
 Fixing Plating: Sn over Ni  
 Housing Material: PBT+30% G.F(UL94V-0)  
 Cover Material: PBT+30% G.F(UL94V-0)

## Ordering Information

3410-2 XX X FR SX X A 2

No.of Pins Per Row: 10pin, 16pin, 32pin  
 Rows with Contacts B=a+b, D=a  
 Contact Plating S0=Gold Flash/Tin, S1=3u"Gold/Tin, S3=10u"Gold/Tin, S4=15u"Gold/Tin, S5=30u"Gold/Tin, SN=Tin  
 Packing A=Tray  
 W=With Lock, N=Without Lock



Q	64	2	32	94.00	78.74	85.00	88.90
Q/2	32	2	16	54.00	38.10	44.40	48.26
Q/3	20	2	10	38.10	22.86	29.10	33.02
TYPE	POS.	ROWS	N	DIM.A	DIM.B	DIM.C	DIM.D

# WCON

Http: [www.wcon.com](http://www.wcon.com)  
 WCON-Dongguan  
 WCON-Kunshan  
 Tel: +86 769 85358920  
 Fax: +86 769 85358915  
 E-mail: [sales@wcon.com](mailto:sales@wcon.com)

PART NO. 3410-2XXXFRSXXA2  
 TITLE: 2.54PITCH DIN 41612  
 Q, Q/2, Q/3 TYPE FEMALE DIP=3.0  
 Customer NO.

OPERATION	DRAW	DATE	SCALE	FIT	PART NO.
X.X ±0.40	JYHuang	2014/08/12	UNIT	FORM	3410-2XXXFRSXXA2
X.XX ±0.25	CHECK	DATE	SIZE	A4	TITLE: 2.54PITCH DIN 41612
X.XXX ±0.15	APPROVE	DATE	SHEET	1/1	Q, Q/2, Q/3 TYPE FEMALE DIP=3.0
Angle ± 3'			PROJ.		Customer NO.
DIM TOL					

REV	DATE	MODIFICATION DESCRIPTION	CHANGE
A1	2014/08/12	Modify The Dim	
A0	2014/05/29	NEW	