

HSF

NOTES:

Current Rating: 2.0AMP (All of contacts energized, AT 30°C Rise, 20% Derated)
 Contact Resistance: 20mΩ max
 Withstand Voltage: 1000V AC
 Insulation Resistance: 1000MΩ
 Operation Temperature: -55°C ~ +125°C
 Durability: 500 cycling

Terminal Material: Copper Alloy
 Terminal Plating: (See Ordering Information)
 XXu" Gold On Contact Area,
 100U" Tin Min. on Solder area,
 50U" Nickel Min. Underplating overall.
 Housing Material:
 PBT+30%G.F.(UL94V-0), Gray White
 Ground Strip Material: Copper Alloy
 Packing: TRAY

Ordering Information

3412 - 3 XX X F S XX X A X

Row Code: 3=Three Row
 No. of Pins Per Row: 10=10Pin, 16=16Pin, 32=32Pin, 40=40Pin
 Rows with Contacts: A=a+b+c, B=a+b, C=a+c, D=a
 Type Code: F=Female
 Type Code: S=180° DIP Type
 Lock: W=W/T Lock, N=W/O Lock
 Contact Plating: S0: Gold Flash/Tin, S1: 3u" Gold/Tin, S3: 10u" Gold/Tin, S4: 15u" Gold/Tin, S5: 30u" Gold/Tin
 DIP Length: 1:L=2.90, 2:L=4.50
 Packing: A=TRAY

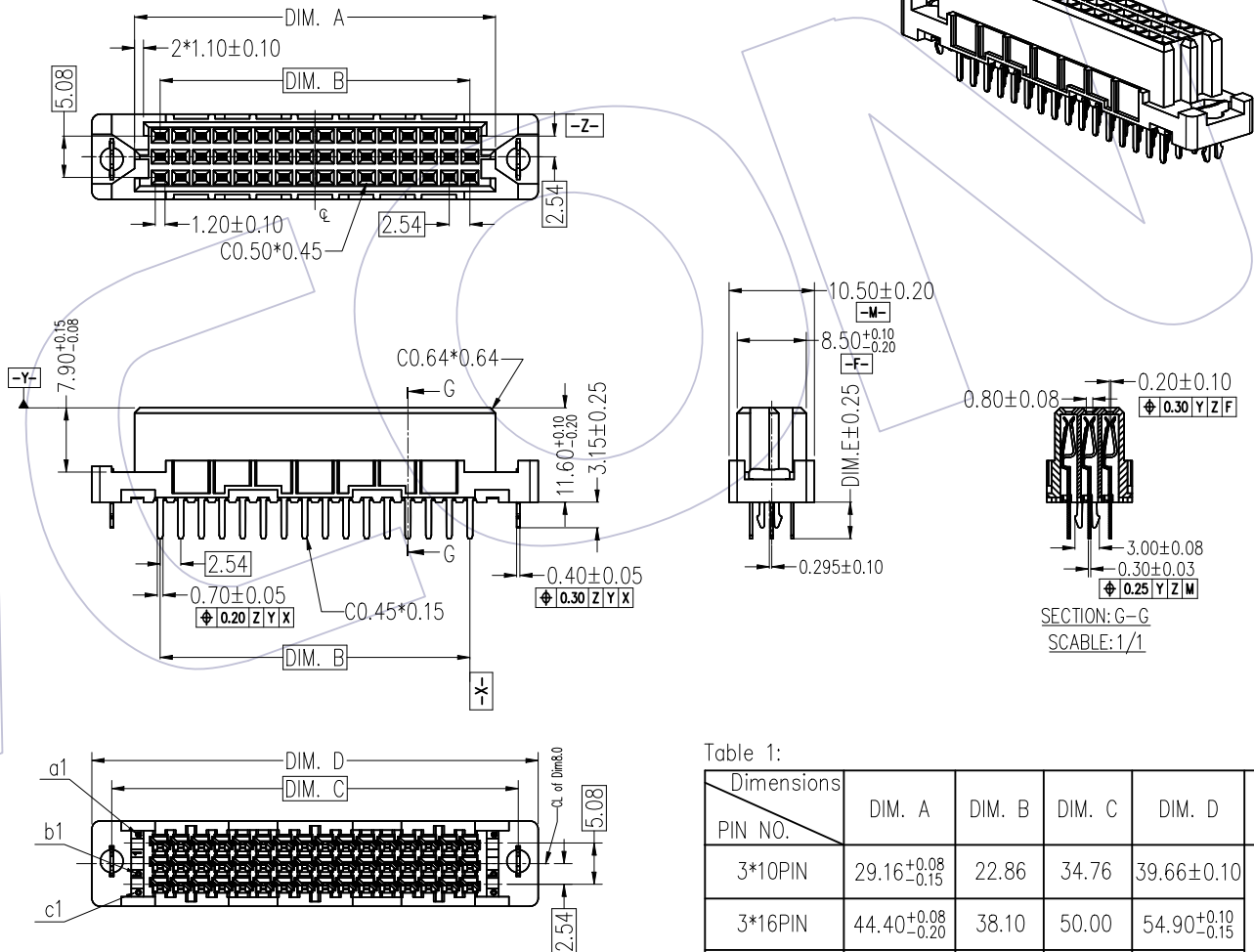
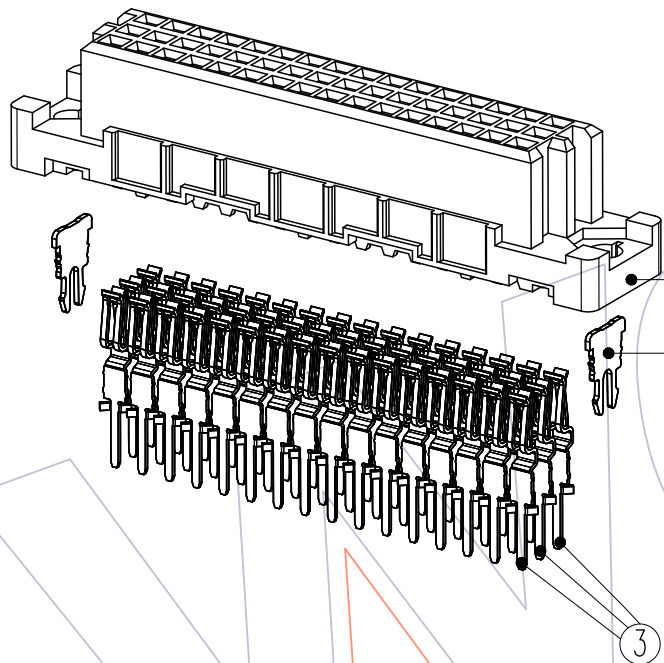


Table 1:

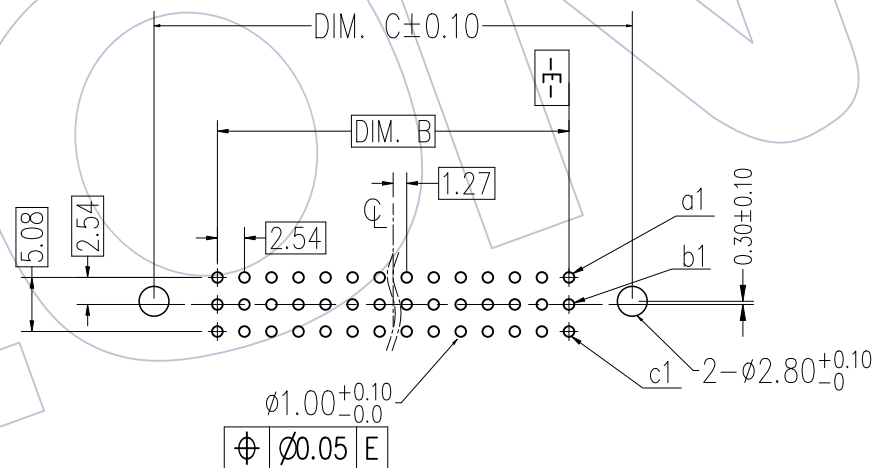
Dimensions	DIM. A	DIM. B	DIM. C	DIM. D	DIM. E
PIN NO.					
3*10PIN	29.16 ^{+0.08} _{-0.15}	22.86	34.76	39.66±0.10	2.9&4.5
3*16PIN	44.40 ^{+0.08} _{-0.20}	38.10	50.00	54.90 ^{+0.10} _{-0.15}	
3*32PIN	85.04 ^{+0.08} _{-0.25}	78.74	90.00	94.90 ^{+0.10} _{-0.20}	
3*40PIN	105.36 ^{+0.08} _{-0.30}	99.06	109.68	115.22 ^{+0.10} _{-0.25}	

REV	DATE	MODIFICATION DESCRIPTION	CHANGE	OPERATION	DRAW	DATE	SCALE	FIT	PART NO.	WCON	
A0	2022/07/16	NEW RELEASE	Jason	x.x ±0.40	Jason	2022/07/16	UNIT mm		3412-3XXXFSXXXAX	Http: www.wcon.com	
				x.xx ±0.25	CHECK	DATE	SIZE A4		TITLE: 2.54mm DIN 41612 CONN.	WCON-Dongguan	WCON-Kunshan
				x.xxx ±0.15	APPROVE	DATE	SHEET 1/2		3 Row 180° DIP TYPE FEMALE	Tel: +86 769 85358920	Tel: +86 512 57468408
				Angle ± 3°		DATE	PROJ.		Customer NO.	Fax: +86 769 85358915	Fax: +86 512 57468468
				DIM TOL						E-mail: sales@wcon.com	E-mail: salesks@wcon.com

HSF




Recommended P.C.B Layout (Top Side)
(PCB BOARD TOLERANCE ± 0.05)



BOM LIST:

ITEM	DESCRIPTION	MATERIALS	NO.	REMARK
①	Housing	PBT(UL94V-0)	1	Gray White
②	Ground strip	Copper Alloy	2	Sn over Ni
③	Terminal	Copper Alloy	Single Row No.of Pin*3	Au Sn over Ni

				OPERATION	DRAW	DATE	SCALE	FIT	PART NO.	 Http: www.wcon.com WCON-Dongguan WCON-Kunshan Tel: +86 769 85358920 Tel: +86 512 57468408 Fax: +86 769 85358915 Fax: +86 512 57468468 E-mail: sales@wcon.com E-mail: salesks@wcon.com
				x.x ± 0.40	Jason	2022/07/16	UNIT	mm	3412-3XXXFSXXXAX	
				x.xx ± 0.25	CHECK	DATE	SIZE	A4	TITLE:	
				x.xxx ± 0.15	APPROVE	DATE	SHEET	2/2	2.54mm DIN 41612 CONN. 3 Row 180° DIP TYPE FEMALE	
REV	DATE	MODIFICATION DESCRIPTION	CHANGE	Angle $\pm 3^\circ$ DIM TOL			PROJ.		Customer NO.	