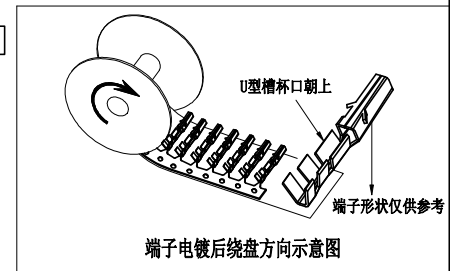
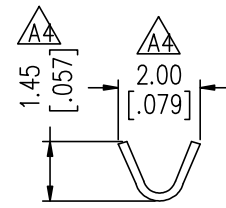
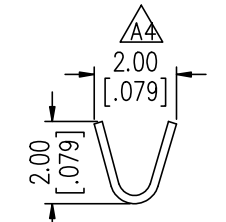
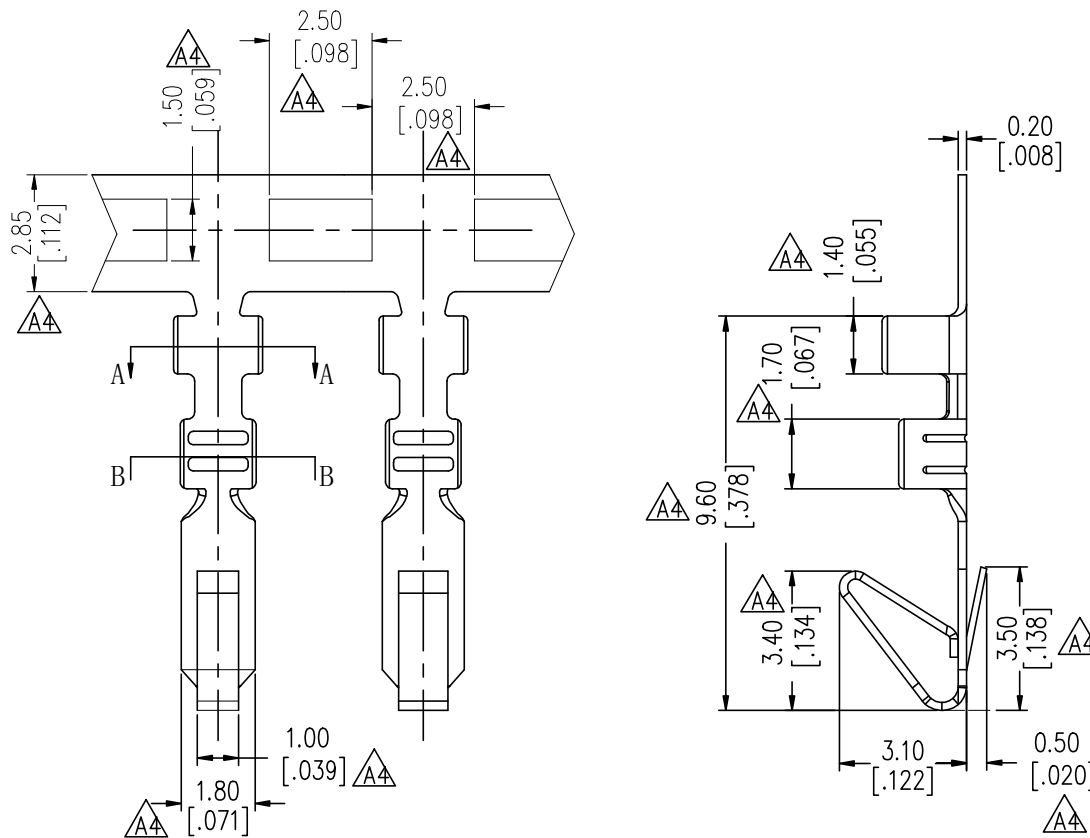


HSF

NOTES:
 Current Rating: 3.0A
 Voltage Rating: 250V AC,DC
 Contact Resistance: 20mΩ max
 Withstand Voltage: 1000V AC/minute
 Insulation Resistance: 1000MΩ min
 Operation Temperature: -25°C to +85°C



Ordering Information

WF2541 - T X XX 0 1

Material
 B=Brass
 P=Phosphor bronze

Contact Plating:
 G0=Gold Flash
 G3=10μ"Gold
 G4=15μ"Gold
 G5=30μ"Gold
 S0=Gold Flash/Tin
 S3=10μ"Gold/Tin
 S4=15μ"Gold/Tin
 S5=30μ"Gold/Tin
 SN=Tin

Specification & Ordering Information:

Part No.	Thickness	Material	Finish	Wire Range	Insulation O.D	Q'ty/Reel
WF2541-TXSN01	0.20	Phosphor bronze/Brass	Tin-Plated	AWG#22~#28	1.50mm(Max)	10,000PCS

REV	DATE	MODIFICATION DESCRIPTION	CHANGE	OPERATION	DRAW	DATE	SCALE	FIT	PART NO.
A5	2022/06/23	增加绕盘方向示意图	A5	OPERATION	DATE	2022/06/23	SCALE	FIT	PART NO.
A4	2021/05/17	MODIFY	A4	x.X ±0.40	LZH		UNIT	mm	SEE TAB
A3	2020/07/18	MODIFY	A3	x.XX ±0.25	CHECK	DATE	SIZE	A4	TITLE:
A0	2012/09/07	NEW		x.XXX ±0.15	APPROVE	DATE	SHEET	1/1	"M"TYPE 2.54 TERMINAL
				Angle ± 3°			PROJ.		Customer NO.
				DIM TOL					

WCON

Http: www.wcon.com

WCON-Dongguan
 Tel: +86 769 85358920
 Fax: +86 769 85358915
 E-mail: sales@wcon.com

WCON-Kunshan
 Tel: +86 512 57468408
 Fax: +86 512 57468468
 E-mail: salesks@wcon.com