



Recommended P.C.B Layout(Top Side)
(PCB BOARD TOLERANCE±0.05)

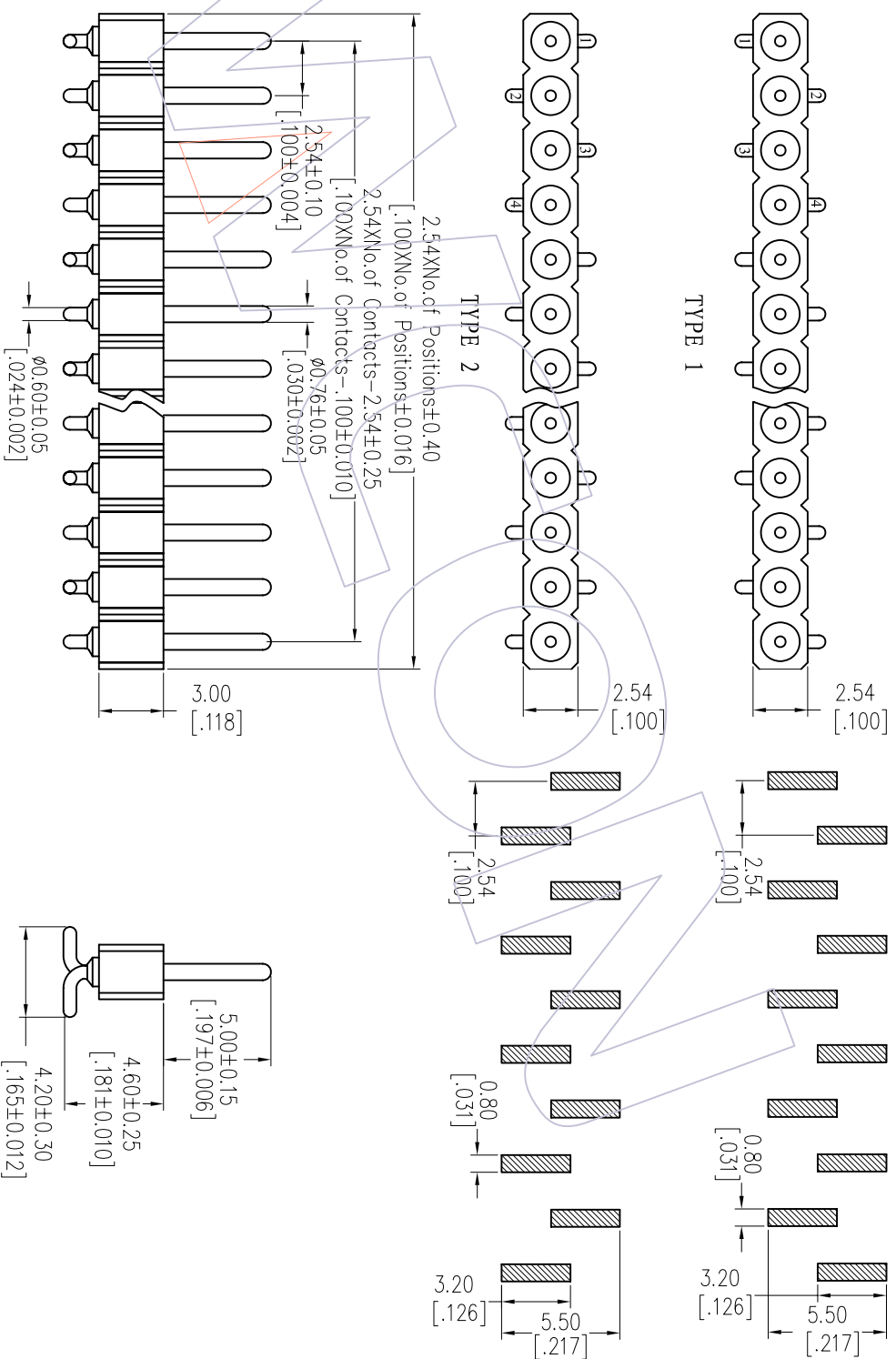
TECHNICAL SPECS:
 Current Rating: 3.0AMP
 Contact Resistance: 10m Ω Max
 Dielectric Strength: Min 1000Vrms
 Mechanical Life: Min 500 cycles
 Operation Temperature: -40°C to +105°C

Sleeve: Brass CuZn36Pb3(C36000)
 Contact plating: Au over Ni
 Connecting Pin: φ0.76mm
 Insulator Material: PPS+30%G.F(UL94V-0)

Ordering Information

3511-301 XX M XX 112 X X

No. of Pins per Row: 02-50P
 Contact Plating: G0=Gold Flash, G3=10u"Gold, G4=15u"Gold, G5=30u"Gold
 Packing: T=Tube, R=Tray&Reel
 Series No.: 1=Type 1, 2=Type 2



Item	Pitch	Mating
Standard	2.54	3521
Alternate		

OPERATION		DRAW		DATE		SCALE		PART NO.		TITLE:	
XX	±0.40	JYHuog		2012/10/23		mm		3511-301.XXMX112XX	2.54mm MACHINED PIN HEADER SINGLE ROW 180° SMT H=3.00 L=11.2		
XX	±0.25	CHECK		DATE		A4			Customer NO.		
X.XXX	±0.15	Angle	± 3'	APPROVE	DATE	SHEET	1/1				
REV	DATE	MODIFICATION DESCRIPTION		CHANGE	DIW	TOL					
A0	2012/10/23	NEW									



Http: www.wcon.com
 WCON-Dongguan Tel: +86 769 85358920 Fax: +86 769 85358915 E-mail: sales@wcon.com
 WCON-Kunshan Tel: +86 512 57468408 Fax: +86 512 57468468 E-mail: sales@wcon.com