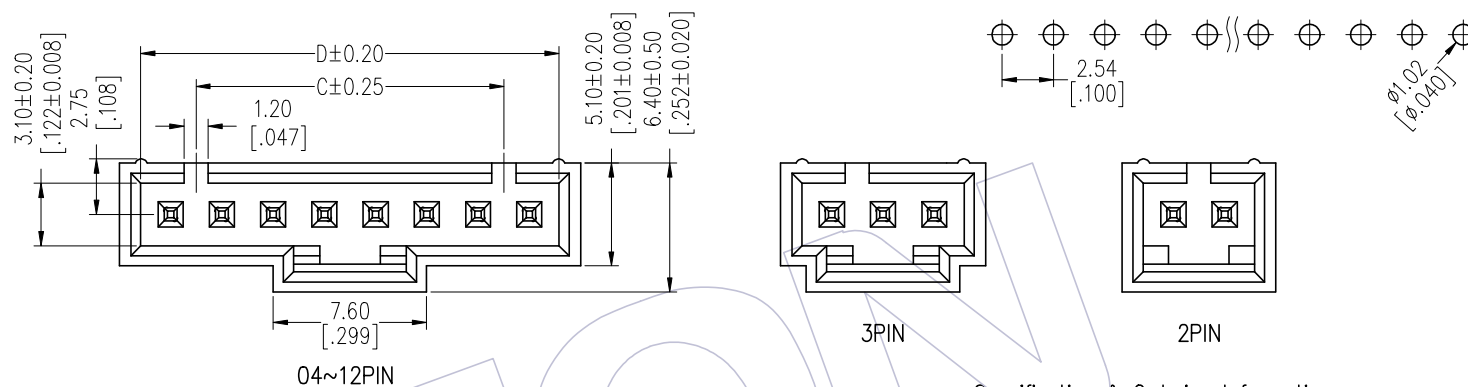


# HSF

NOTES:  
 Rated Current: 3.0AMP  
 Contact Resistance: 20mΩ max  
 Withstand Voltage: 1000V AC/DC  
 Insulation Resistance: 1000MΩ min  
 Operation Temperature: -25℃ to +85℃

Contact Material: Brass  
 Contact Plating: Au or Sn Over Ni  
 Insulator Material: PBT+30%G.F UL94V-0

Recommended P.C.B Layout(Top Side)  
 (PCB BOARD TOLERANCE±0.05)



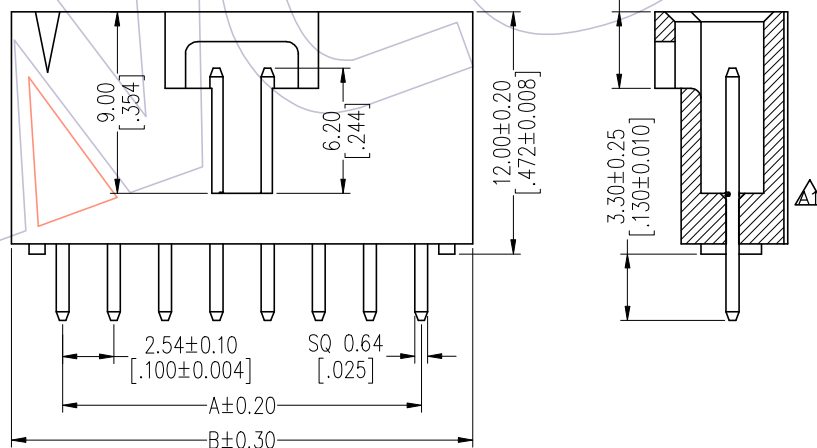
## Ordering Information

WF2542- WS XX X X 1

No.of Pins  
02~12Pin

Insulator Color  
W= White  
B= Black  
G= Grey  
E= Beige

Packing  
0=PE Bag  
T=Tube



## Specification & Ordering Information:

Circuit	Part No.	Dimension				/Bag
		A	B	C	D	
02	WF2542-WS02X01	2.54	7.62	--	5.48	1,000
03	WF2542-WS03X01	5.08	10.16	--	8.02	1,000
04	WF2542-WS04X01	7.62	12.70	5.08	10.56	500
05	WF2542-WS05X01	10.16	15.24	7.62	13.10	500
06	WF2542-WS06X01	12.70	17.78	10.16	15.64	400
07	WF2542-WS07X01	15.24	20.32	12.70	18.18	400
08	WF2542-WS08X01	17.78	22.86	15.24	20.72	400
09	WF2542-WS09X01	20.32	25.40	17.78	23.26	250
10	WF2542-WS10X01	22.86	27.94	20.32	25.80	250
11	WF2542-WS11X01	25.40	30.48	22.86	28.34	250
12	WF2542-WS12X01	27.94	33.02	25.40	30.88	250
13	WF2542-WS13X01	30.48	35.56	27.94	33.42	200
14	WF2542-WS14X01	33.02	38.10	30.48	35.96	200
15	WF2542-WS15X01	35.56	40.64	33.02	38.50	200
16	WF2542-WS16X01	38.10	43.18	35.56	41.04	150

REV		DATE	MODIFICATION DESCRIPTION	CHANGE	OPERATION	DRAW	DATE	SCALE	FIT	PART NO.	 <a href="http://www.wcon.com">Http: www.wcon.com</a> WCON-Dongguan Tel: +86 769 85358920 Fax: +86 769 85358915 E-mail: sales@wcon.com	WCON-Kunshan Tel: +86 512 57468408 Fax: +86 512 57468468 E-mail: salesks@wcon.com	
					x.x	±0.40	2017/04/06	UNIT	mm	SEE TAB			TITLE: 2.54mm WAFER CD-ROM 180° Customer NO.
A1		2017/04/06	Modify Contact		x.xx	±0.25	DATE	SIZE	A4				
AO		2012/09/08	NEW		x.xxx	±0.15	DATE	SHEET	1/1				
					Angle	± 3'	DATE	PROJ.					
					DIM	TOL							