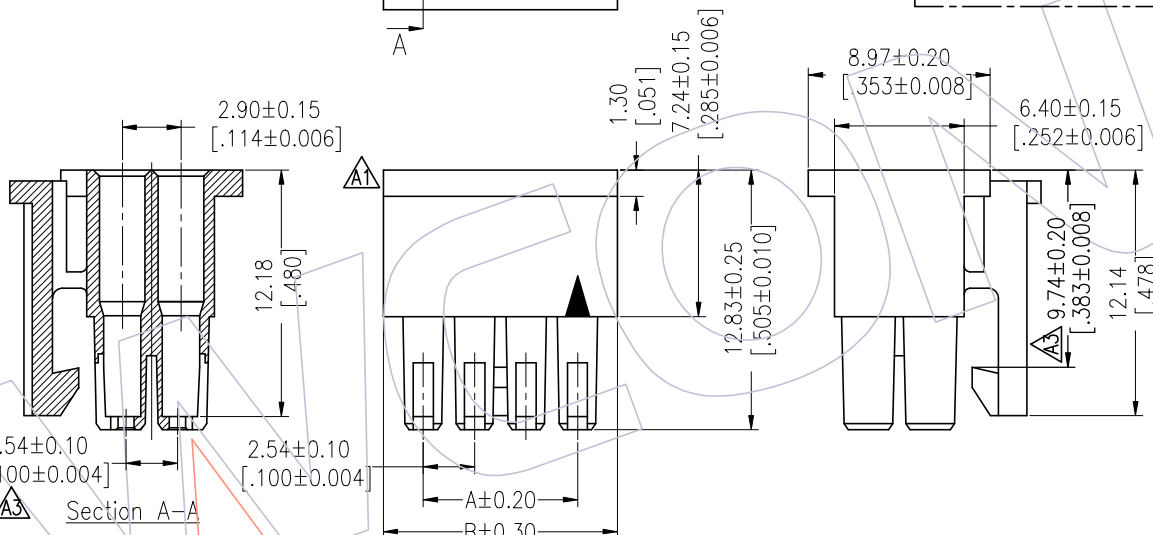
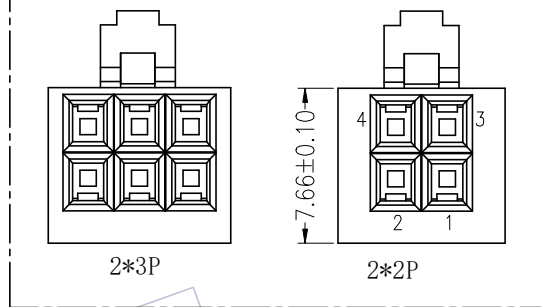
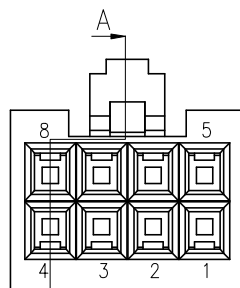


HSF

NOTES:
 Rated Current:3.0AMP
 Contact Resistance:20mΩ max
 Withstand Voltage:1000V AC/DC
 Insulation Resistance:1000MΩ min
 Operation Temperature:-25℃ to +85℃

Insulator Material:PA66 (UL94-V0)
 Use with:WF2549-T
 Mated With:WF2549-Wafer



Ordering Information

WF2549- 2 H XX X 0 1

No. of Pins per Row: 02-25P
 Colour W=White B=BLACK
 Packing 0=PE Bag

Specification & Ordering Information:

Circuit	Part No.	Dimension	
		A	B
2x02	WF2549-2H02X01	2.54	8.26
2x03	WF2549-2H03X01	5.08	9.02
2x04	WF2549-2H04X01	7.62	11.56
2x05	WF2549-2H05X01	10.16	14.10
2x06	WF2549-2H06X01	12.70	16.64
2x07	WF2549-2H07X01	15.24	19.18
2x08	WF2549-2H08X01	17.78	21.72
2x09	WF2549-2H09X01	20.32	24.26
2x10	WF2549-2H10X01	22.86	26.80
2x11	WF2549-2H11X01	25.40	29.34
2x12	WF2549-2H12X01	27.94	31.88
2x13	WF2549-2H13X01	30.48	34.42
2x14	WF2549-2H14X01	33.02	36.96
2x15	WF2549-2H15X01	35.56	39.50
2x16	WF2549-2H16X01	38.10	42.04
2x17	WF2549-2H17X01	40.64	44.58
2x18	WF2549-2H18X01	43.18	47.12
2x19	WF2549-2H19X01	45.72	49.66
2x20	WF2549-2H20X01	48.26	52.20
2x21	WF2549-2H21X01	50.80	54.74
2x22	WF2549-2H22X01	53.34	57.28
2x23	WF2549-2H23X01	55.88	59.82
2x24	WF2549-2H24X01	58.42	62.36
2x25	WF2549-2H25X01	60.96	64.90

REV	DATE	MODIFICATION DESCRIPTION	CHANGE	OPERATION	DRAW	DATE	SCALE	FIT	PART NO.
A4	2018/02/09	ADD THE COLOR	---	OPERATION	Draw	2018/02/09	UNIT	mm	SEE TAB
A3	2016/07/27	MODIFY DRAWING	---	x.X	Check	DATE	SIZE	A4	TITLE:
A2	2013/05/10	ADD 2*03PIN ,2*02PIN DRAWING	---	x.XX	APPROVE	DATE	SHEET	1/1	2.54mm HOUSING
A0	2012/09/10	NEW	---	x.XXX	DATE	PROJ.	PROJ.	Customer NO.	
				Angle ± 3'					
				DIM TOL					

WCON
 Http: www.wcon.com

WCON-Dongguan
 Tel: +86 769 85358920
 Fax: +86 769 85358915
 E-mail: sales@wcon.com

WCON-Kunshan
 Tel: +86 512 57468408
 Fax: +86 512 57468468
 E-mail: sales@wcon.com