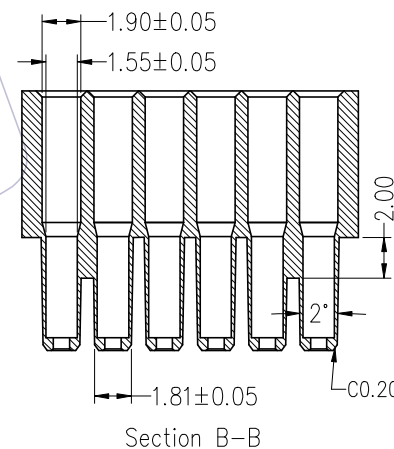
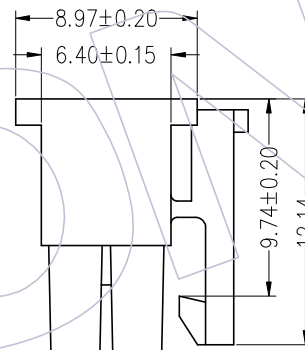
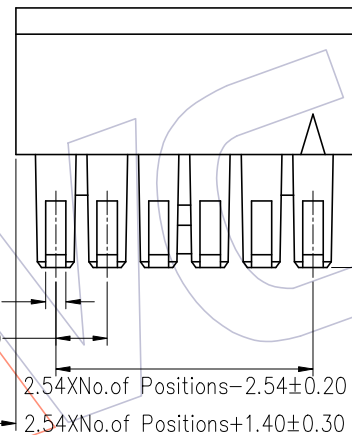
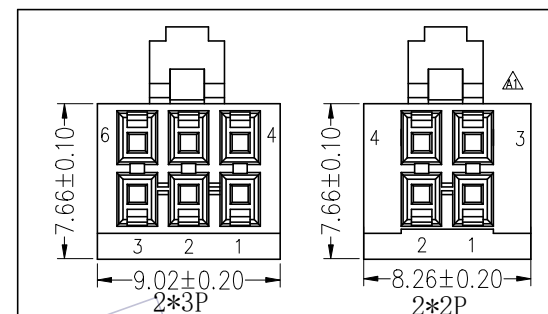
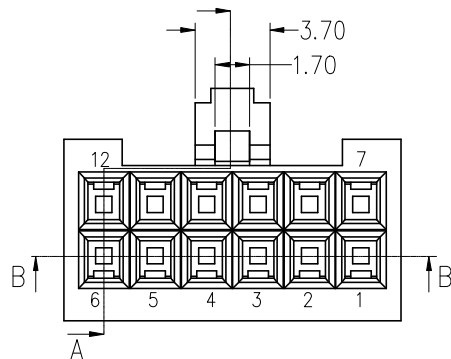
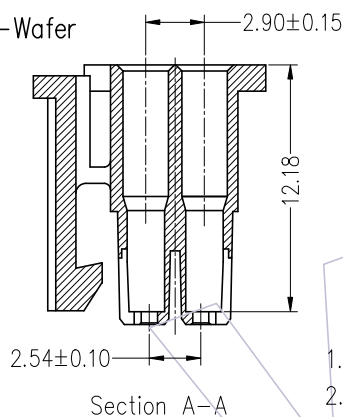


# HSF

NOTES:  
 Rated Current: 3.0AMP  
 Contact Resistance: 20mΩ max  
 Withstand Voltage: 1000V AC/DC  
 Insulation Resistance: 1000MΩ min  
 Operation Temperature: -25℃ to +85℃

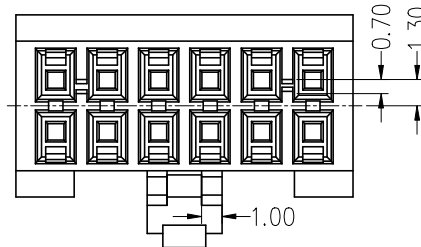
Insulator Material: PA66 (UL94-V0)  
 Use with: WF2549-T  
 Mated With: WF2549-Wafer



## Ordering Information

WF2549A- 2 H XX X 0 1

No. of Pins per Row: 03~25P  
 Colour: B=BLACK  
 Packing: 0=PE Bag



REV	DATE	MODIFICATION DESCRIPTION	CHANGE	OPERATION		DRAW SU	DATE	SCALE	FIT	PART NO.
				X.X	±0.40					
A1	2019/12/23	Modify	—	X.XX	±0.25	CHECK	2019/12/23	UNIT	mm inch	WF2549A-2HXXB01
A0	2019/01/15	NEW	—	X.XXX	±0.15	CHECK	DATE	SIZE	A4	TITLE: 2.54mm wafer housing with foolproof design
				Angle	± 3'	APPROVE	DATE	SHEET	1/1	Customer NO.
				DIM	TOL			PROJ.		

# WCON

Http: www.wcon.com

WCON-Dongguan	WCON-Kunshan
Tel: +86 769 85358920	Tel: +86 512 57468408
Fax: +86 769 85358915	Fax: +86 512 57468468
E-mail: sales@wcon.com	E-mail: salesks@wcon.com