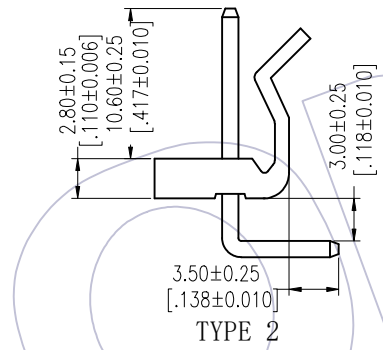
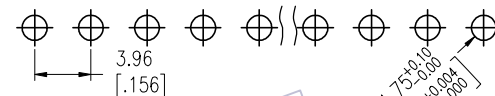
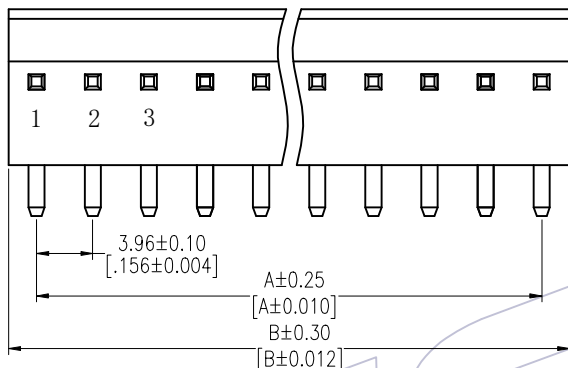


# HSF

NOTES:  
 Current Rating:5.0AMP  
 Contact Resistance:20mΩ Max  
 Insulation Resistance:1000MΩ Min  
 Withstand Voltage:1000V AC/minute  
 Operation Temperature:-25℃ to +85℃

Contact Material:Brass  
 Contact plating:Au Or Sn Over Ni  
 Insulator Material:PA66 Or PA46

Recommended P.C.B Layout(Top Side)  
 (PCB BOARD TOLERANCE±0.05)



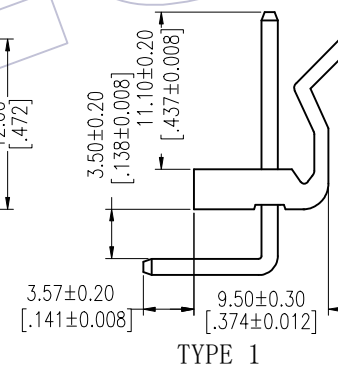
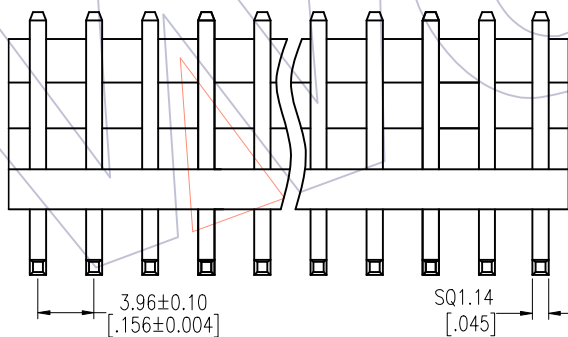
Specification & Ordering Information:

Circuit	Part No.	Dimension		Q'TY/ bag
		A	B	
02	WF3961-WR02W0X	3.96	7.92	700
03	WF3961-WR03W0X	7.92	11.88	600
04	WF3961-WR04W0X	11.88	15.84	450
05	WF3961-WR05W0X	15.84	19.80	350
06	WF3961-WR06W0X	19.80	23.76	300
07	WF3961-WR07W0X	23.76	27.72	250
08	WF3961-WR08W0X	27.72	31.68	200
09	WF3961-WR09W0X	31.68	35.64	180
10	WF3961-WR10W0X	35.64	39.60	150
11	WF3961-WR11W0X	39.60	43.56	120
12	WF3961-WR12W0X	43.56	47.52	90
13	WF3961-WR13W0X	47.52	51.48	70
14	WF3961-WR14W0X	51.48	55.44	50
15	WF3961-WR15W0X	55.44	59.40	30

## Ordering Information

WF3961 -WR H XX W 0 X

- H=PA46  
Blank=PA66
- No. of pins  
02-15P
- Contact Plating  
S0=Gold Flash/Tin  
S3=10u"Gold/Tin  
S4=15u"Gold/Tin  
S5=30u"Gold/Tin  
G0=Gold Flash  
G3=10u"Gold  
G4=15u"Gold  
G5=30u"Gold  
Blank=Tin
- Color  
B=Black  
W=White
- Series No.  
1=Type 1  
2=Type 2
- Packing  
0=PE Bag



TYPE	PART NO.
TYPE 1	WF3961-WRXXW01
TYPE 2	WF3961-WRXXW02

REV	DATE	MODIFICATION DESCRIPTION	CHANGE	OPERATION	DRAW	DATE	SCALE	FIT	PART NO.
AO	2012/09/11	NEW		X.X ±0.40	JYHuang	2012/09/11	UNIT mm		SEE TAB
				X.XX ±0.25	CHECK	DATE	SIZE A4		TITLE:
				X.XXX ±0.15	APPROVE	DATE	SHEET 1/1		"M"TYPE 3.96 WAFER 90°
				Angle ± 3°			PROJ.		Customer NO.
				DIM TOL					

**WCON**  
 Http: www.wcon.com

WCON-Dongguan      WCON-Kunshan  
 Tel: +86 769 85358920      Tel: +86 512 57468408  
 Fax: +86 769 85358915      Fax: +86 512 57468468  
 E-mail: sales@wcon.com      E-mail: salesks@wcon.com