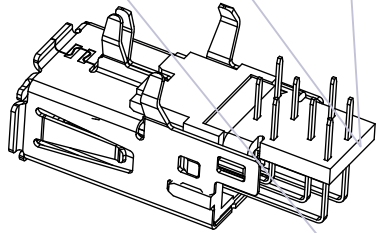


HSF

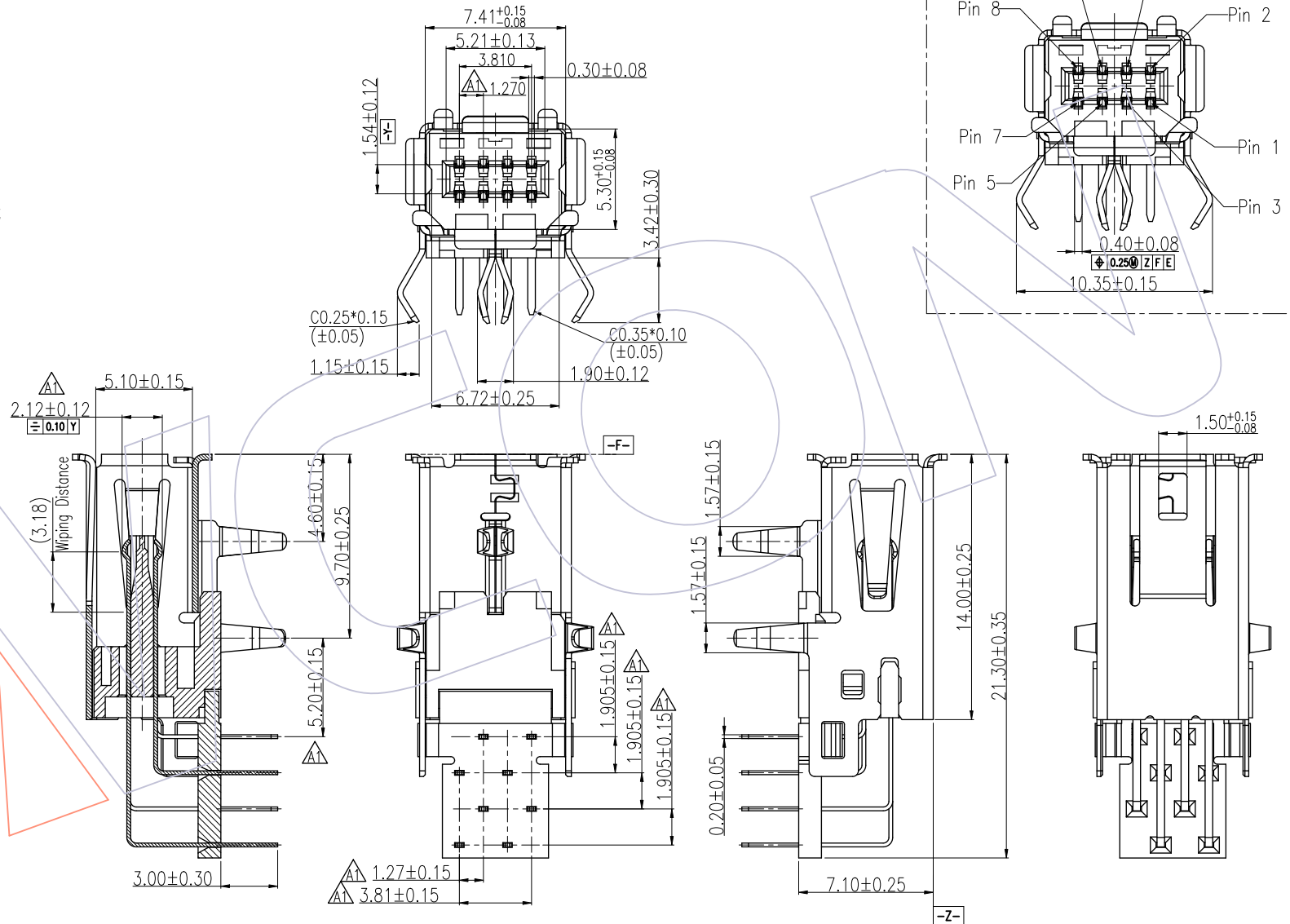
NOTES:

Current Rating:0.5A/Pin
 Voltage Rating:50V/AC
 Contact Resistance:40mΩ Max.
 Withstand Voltage:1000V AC Between
 Terminal And Terminal;
 1500V AC Between
 Terminal And Shell;
 Insulation Resistance:500MΩ Min.
 Operation Temperature:-40°C to +85°C
 Insulator Material:LCP,G.F,UL94V-0,
 BLACK or Natural
 Contact Material:Copper Alloy
 Contact Plating:See Ordering Information
 Shell Material:Copper Alloy
 Shell Plating:80u"Min Matte Tin
 Over30u"Min Ni

Recommended Process:
 IR Stove,Peak temperature:260±5°C



3D VIEW



REV	DATE	MODIFICATION DESCRIPTION	CHANGE	OPERATION	DRAW	DATE	SCALE	Fit	PART NO.
A1	2023/06/08	Adjustment Size	Jason	x.x ±0.40	Jason	2023/06/08	UNIT	mm	6361-08FRXXDXNA1
A0	2022/05/10	NEW RELEASE	Jason	x.xx ±0.25	CHECK	DATE	SIZE	A4	TITLE:
				x.xxx ±0.15	Andrey		SHEET	1/2	1.27mm Micro I/O 8P Receptacle Connector 90° DIP TYPE I
				Angle ± 3°	APPROVE	DATE	PROJ.		Customer NO.
				DIM TOL					

WCON

Http: www.wcon.com

WCON-Dongguan WCON-Kunshan
 Tel: +86 769 85358920 Tel: +86 512 57468408
 Fax: +86 769 85358915 Fax: +86 512 57468468
 E-mail: sales@wcon.com E-mail: salesks@wcon.com

HSF

Ordering Information

6361- 08 F R XX D X N A 1

Series Code:
6361=Product Series

No. of Pins:
08=8Pin

No. of Pins:
F=Female

Type Code:
R=90° DIP

Contact Plating:
SX: XXu" Gold On Contact Area,
80u" Min Tin On Solder Area,
50u" Nickel Underplating Overall.

Wcon Internal Code:
1~9

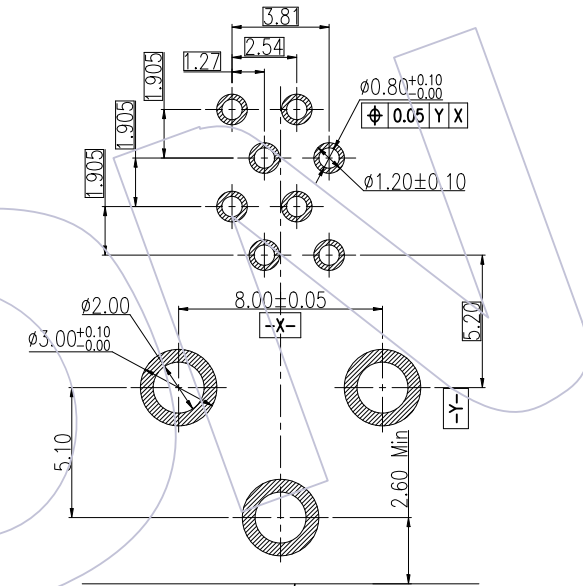
Packing:
A=Tray

Type Code:
N=TYPE I, W/O Post
H=TYPE II, W/O Post

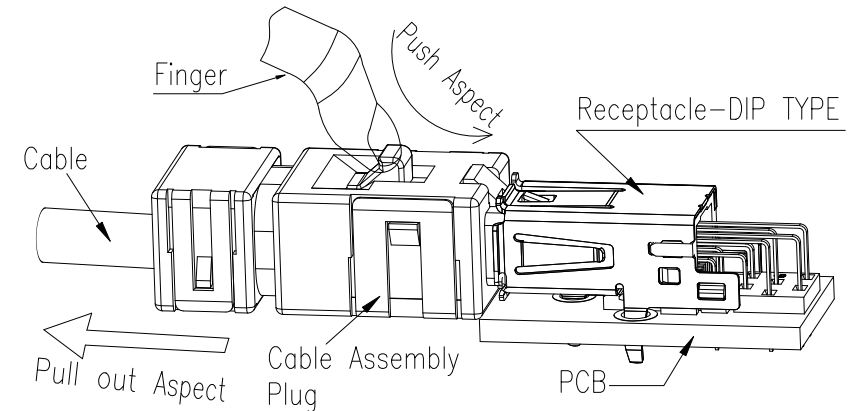
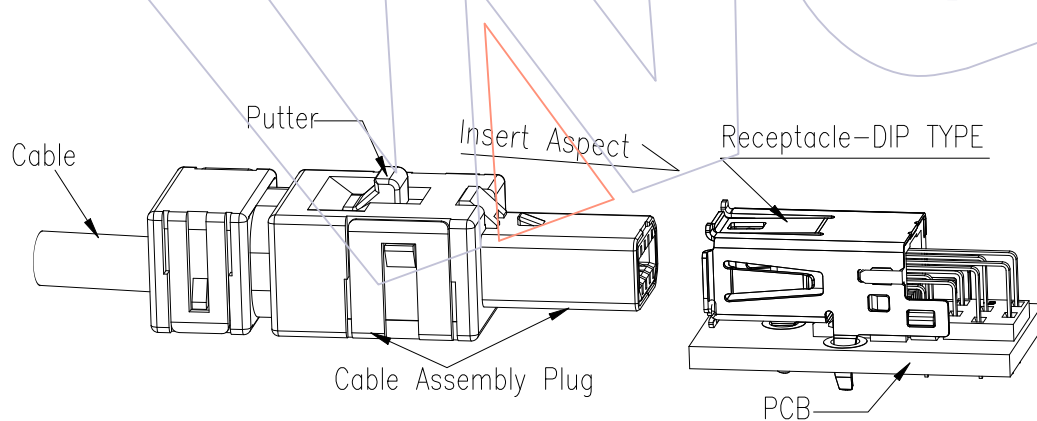
Color:
B=Black

Material:
D=LCP

Recommended P.C.B Layout(Top Side)
(PCB BOARD TOLERANCE±0.05)
PCB BOARD THICKNESS:1.6~2.0



The edge of the board.



REV	DATE	MODIFICATION DESCRIPTION	CHANGE	OPERATION	DRAW	DATE	SCALE	Fit	PART NO.
A1	2022/06/08	Adjustment Size	Jason	x.X ±0.40	Jason	2022/06/08	UNIT	mm	6361-08FRXXDXNA1
A0	2022/05/10	NEW RELEASE	Jason	x.XX ±0.25	CHECK	DATE	SIZE	A4	TITLE:
				x.XXX ±0.15	Andrey		SHEET	2/2	1.27mm Micro I/O 8P Receptacle Connector 90° DIP TYPE I
				Angle ± 3°	APPROVE	DATE	PROJ.	Customer NO.	
				DIM TOL					

WCON

Http: www.wcon.com

WCON-Dongguan Tel: +86 769 85358920 Fax: +86 769 85358915 E-mail: sales@wcon.com

WCON-Kunshan Tel: +86 512 57468408 Fax: +86 512 57468468 E-mail: salesks@wcon.com