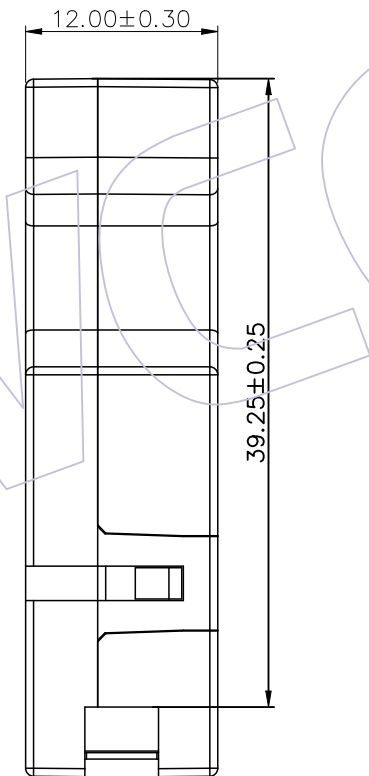
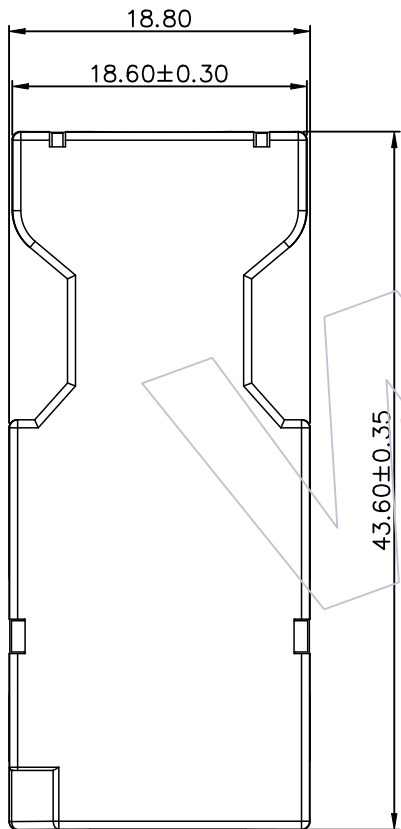
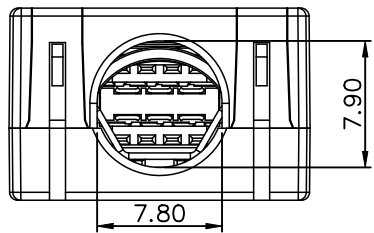
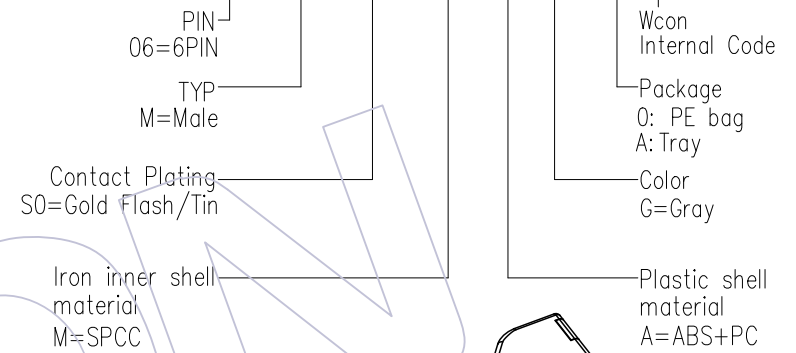


HSF



Ordering Information

6131 - 06 M S0 M A G X 1



BOM LIST

Sheath Insulation O.D. 7.2mm Max

ITEM	品名	料号	数量	材料
(6)	CONN ASSEMBLY 6P	B6131-06MS0ABA1	1	T: C2680R-H T=0.25mm, Plating; contact area Au xx u" (see ordering information) 80μ" TIN on solder area, 30μ" Nickel underplating overall; HS: PBT+30%GF UL94-V0
(5)	SCREW	L6327M-SNIO1	2	Steel, M2.0*6.20mm, Plating Ni
(4)	CLAMP	B6327M-014ANIO1	1	SPCC, T=0.80mm, Plating Ni
(3)	INNER SHELL	M6131-06MMHNI02	1	SPCC T=0.40mm, Plating Ni
(2)	PLASTIC BOTTOM COVER	G6131-06MBHCGN1	1	ABS+PC UL94-V0
(1)	PLASTIC TOP COVER	G6131-06MUHCGN1	1	ABS+PC UL94-V0

REV	DATE	MODIFICATION DESCRIPTION	CHANGE
A1	2021/03/25	增加包装方式	Morris
A0	2020/07/30	NEW	Morris

OPERATION	DATE
X.X ±0.40	2021/03/25
X.XX ±0.25	DATE
X.XXX ±0.15	DATE
Angle ± 3°	DATE
DIM TOL	

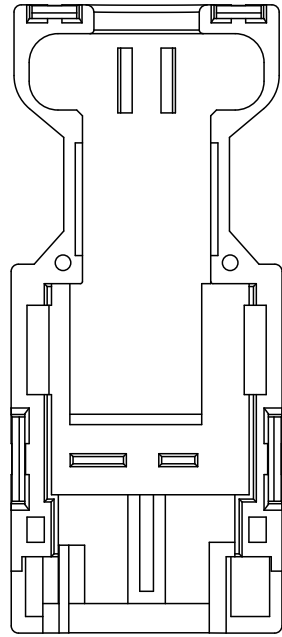
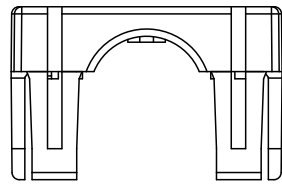
DRAW	DATE
Morris	2021/03/25
CHECK	DATE
APPROVE	DATE

SCALE	FIT
UNIT mm	
SIZE A4	
SHEET 1/4	
PROJ.	

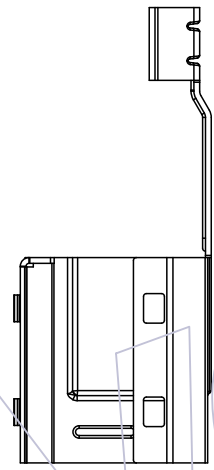
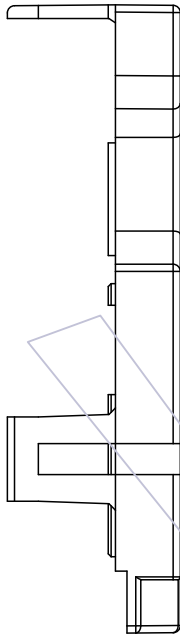
PART NO.
6131-06MS0MAGX1
TITLE:
2.0mm SIC Connector 公座焊线外壳组件式6PIN(七件套)
Customer NO.

 Http: www.wcon.com	

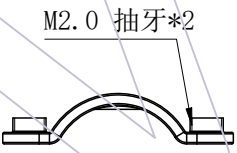
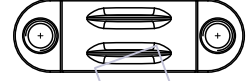
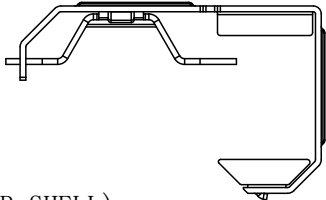
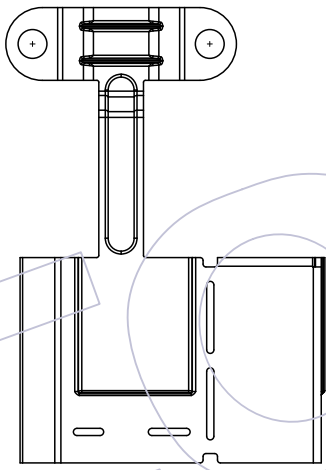
HSF



组件塑胶上盖
(PLASTIC TOP COVER ASSEMBLIES)



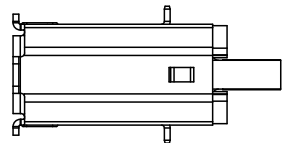
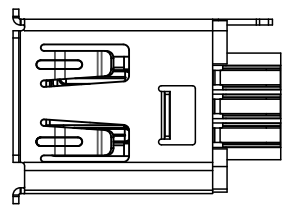
组件内铁壳
(ASSEMBLE INNER SHELL)



组件线夹
(ASSEMBLE CLAMP)



组件螺丝
(ASSEMBLE SCREW)



组件连接器公(6P)
(CONNECTOR ASSEMBLE MALE 6P)

REV	DATE	MODIFICATION DESCRIPTION	CHANGE
A1	2021/03/25	增加包装方式	Morris
A0	2020/07/30	NEW	Morris

OPERATION	
X.X	±0.40
X.XX	±0.25
X.XXX	±0.15
Angle	± 3°
DIM	TOL

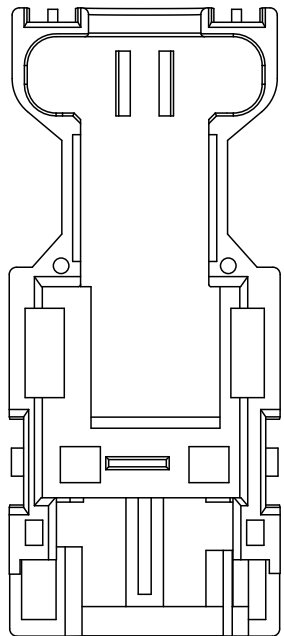
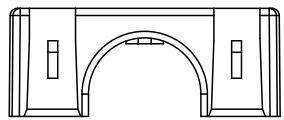
DRAW	DATE
Morris	2021/03/25
CHECK	DATE
APPROVE	DATE

SCALE	FIT
UNIT	mm
SIZE	A4
SHEET	2/4
PROJ.	☉

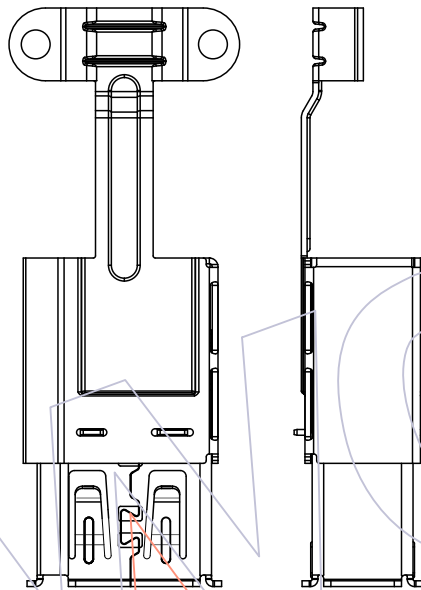
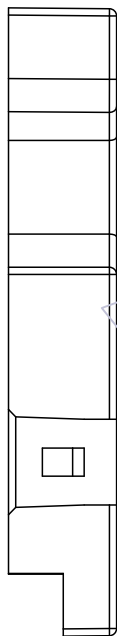
PART NO.	TITLE:
6131-06MSOMGX1	2.0mm SIC Connector
	公座焊线外壳组件式6PIN(七件套)
	Customer NO.

Http: www.wcon.com	
WCON-Dongguan Tel: +86 769 85358920 Fax: +86 769 85358915 E-mail: sales@wcon.com	WCON-Kunshan Tel: +86 512 57468408 Fax: +86 512 57468468 E-mail: sales@wcon.com

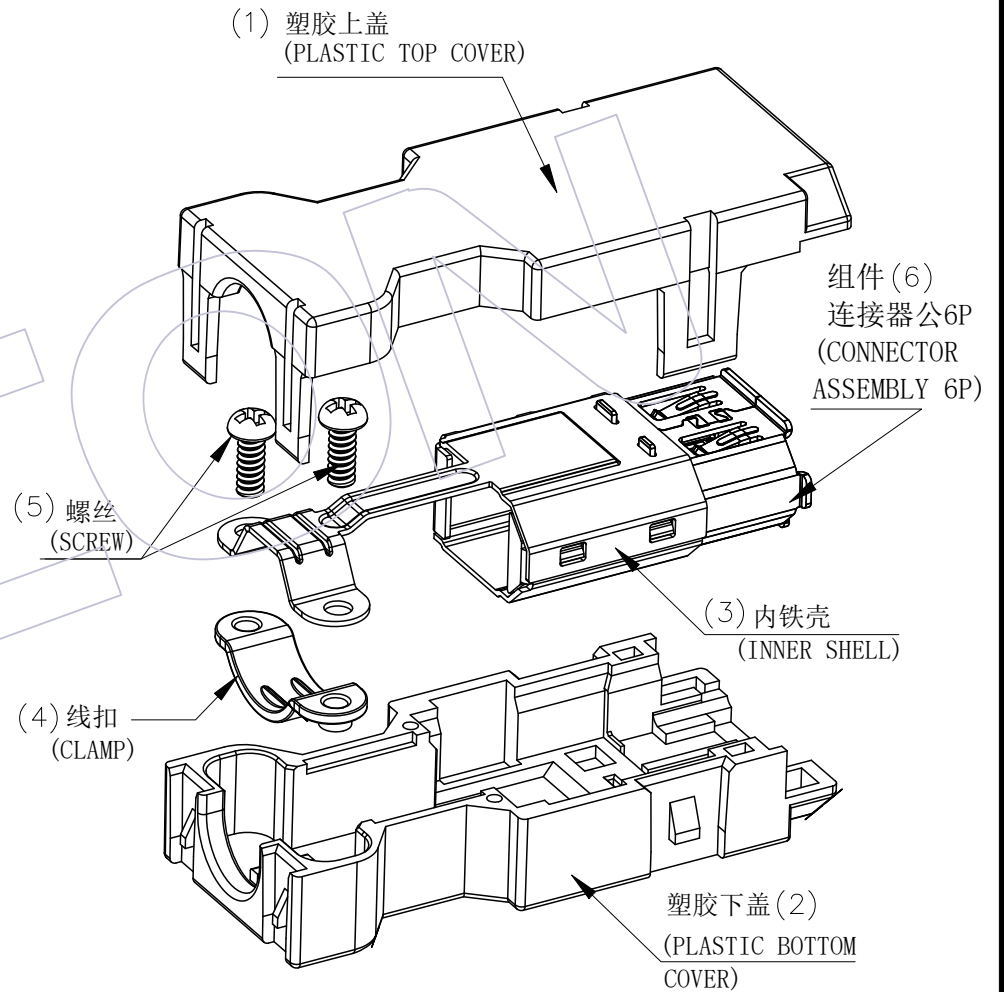
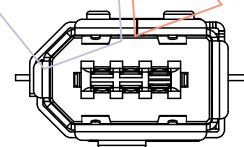
HSF



塑胶下盖组合件
(PLASTIC BOTTOM COVER ASSEMBLIES)



组件 铁壳+CONN 6P MALE
(ASSEMBLE BOTTOM SHELL)



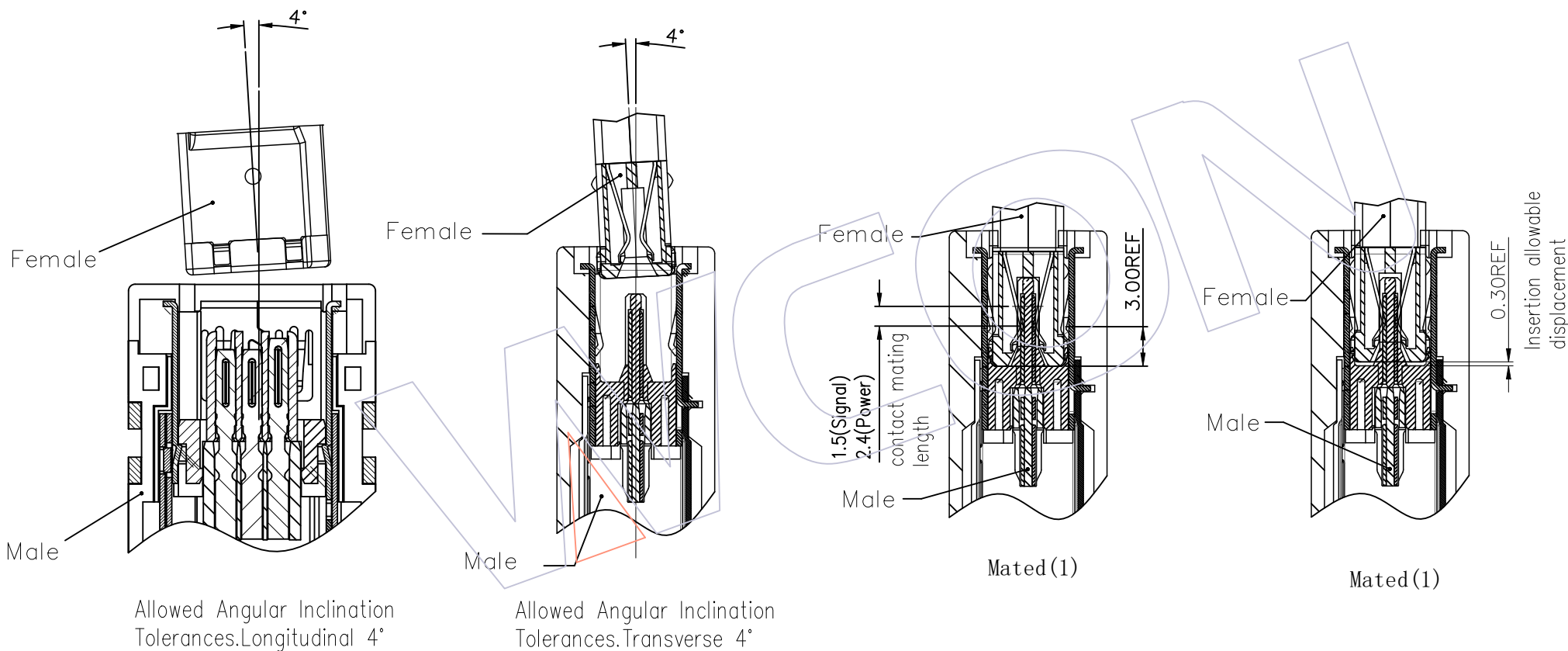
REV	DATE	MODIFICATION DESCRIPTION	CHANGE	OPERATION	DRAW	DATE	SCALE	FIT	PART NO.
A1	2021/03/25	增加包装方式	Morris	X.X ±0.40	Morris	2021/03/25	UNIT	mm	6131-06MSOMAGX1
AO	2020/07/30	NEW	Morris	X.XX ±0.25	CHECK	DATE	SIZE	A4	
				X.XXX ±0.15	APPROVE	DATE	SHEET	3/4	TITLE: 2.0mm SIC Connector 公座焊线外壳组件式6PIN(七件套)
				Angle ± 3°			PROJ.	Customer NO.	
				DIM TOL					

WCON
Http: www.wcon.com

WCON-Dongguan Tel: +86 769 85358920
WCON-Kunshan Tel: +86 512 57468408
Fax: +86 769 85358915 Fax: +86 512 57468468
E-mail: sales@wcon.com E-mail: salesks@wcon.com

HSF

应用说明:



REV	DATE	MODIFICATION DESCRIPTION	CHANGE	OPERATION	DRAW	DATE	SCALE	FIT	PART NO.
A1	2021/03/25	增加包装方式	Morris	X.X ±0.40	Morris	2021/03/25	UNIT mm		6131-06MSOMAGX1
AO	2020/07/30	NEW	Morris	X.XX ±0.25	CHECK	DATE	SIZE A4		TITLE: 2.0mm SIC Connector 公座焊线外壳组件式6PIN(七件套)
				X.XXX ±0.15	APPROVE	DATE	SHEET 4/4		Customer NO.
				Angle ± 3°			PROJ.		
				DIM TOL					

WCON
Http: www.wcon.com

WCON-Dongguan Tel: +86 769 85358920 Fax: +86 769 85358915 E-mail: sales@wcon.com	WCON-Kunshan Tel: +86 512 57468408 Fax: +86 512 57468468 E-mail: sales@wcon.com
---	--