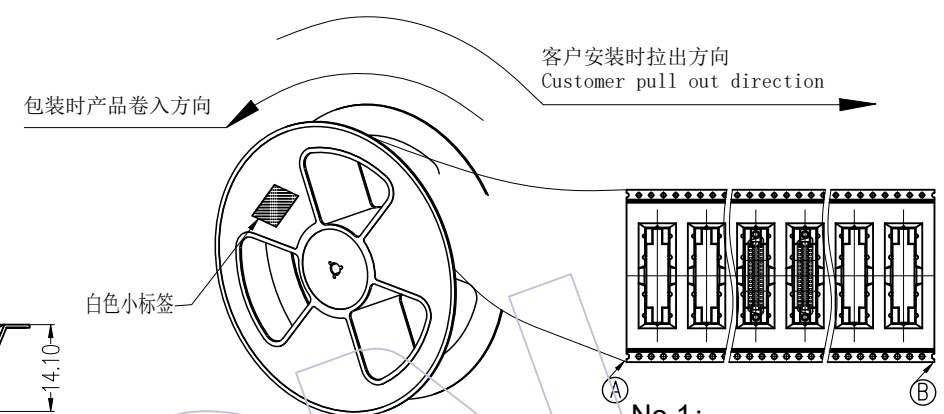
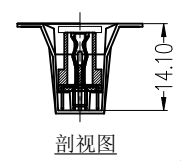
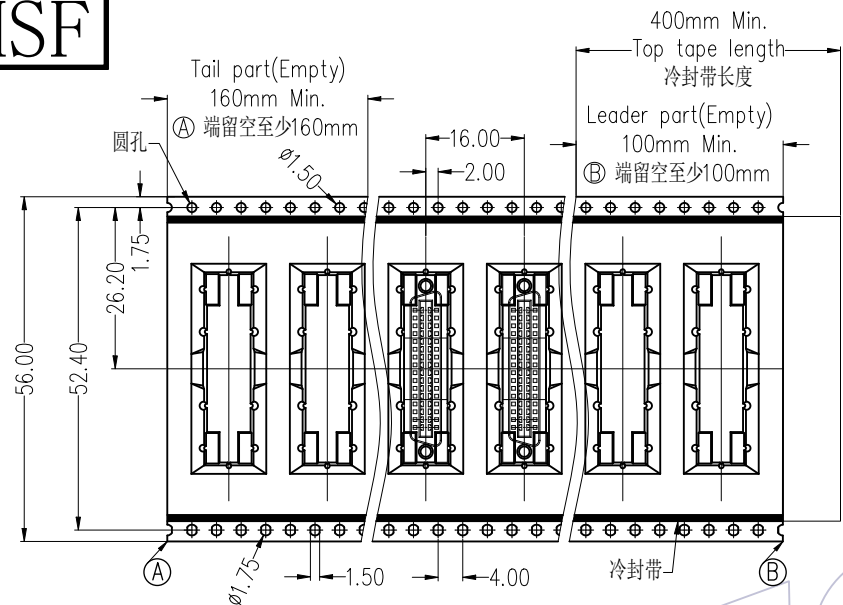
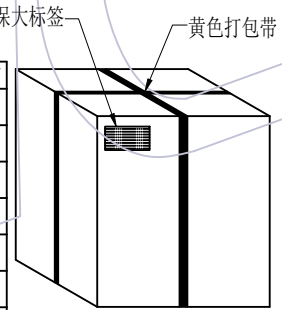


HSF



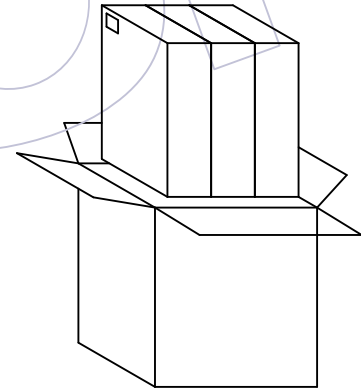
No.1:
产品包装前, 注意载带要留空160mm以上
将产品放入载带凹槽后, 用盖带封装,
注意: 盖带与承载带的拉力30g-120g

Pin	载带料号	W	S	F	PCS/Reel	PCS/内箱	PCS/外箱
20P	TR6321H-FN020S13501	44.0±0.30	40.40±0.10	20.20±0.15	250	500	1500
32P	TR6321H-FN032S13501	56.0±0.30	52.40±0.10	26.20±0.15	250	250	750
40P	TR6321H-FN040S13501	56.0±0.30	52.40±0.10	26.20±0.15	250	250	750
50P	TR6321H-FN050S13501	72.0±0.30	68.40±0.10	34.20±0.15	250	250	750
52P	TR6321H-FN052S13501	72.0±0.30	68.40±0.10	34.20±0.15	250	250	750
60P	TR6321H-FN060S13501	72.0±0.30	68.40±0.10	34.20±0.15	250	250	750
68P	TR6321H-FN068S13501	88.0±0.31	84.40±0.11	42.20±0.16	250	250	750
80P	TR6321H-FN080S13501	88.0±0.31	84.40±0.11	42.20±0.16	250	250	750
100	TR6321H-FN100S13501	104.0±0.30	100.40±0.10	50.20±0.15	250	250	750

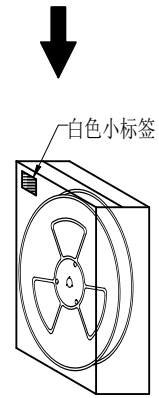


外箱: CTN-18K

No.4:
封箱, 打包, 贴标签。



No.3:
将内箱装入外箱(3内箱/外箱)
注意统一标签方向



内箱: CTN-18E

No.2:
将卷盘套上PE-32防水袋,
放入1包干燥剂,
真空机封口后装入内箱,
用封箱胶封装好, 并贴上标签。

变更记事

版次	日期	变更说明	变更	核准
REV	DATE	MODIFICATION DESCRIPTION	CHANGE	APPROVE
A0	2020/04/24	NEW	-----	-----

工程图	绘图	苏珊	2020/04/24	SCALE	FIT
ENGINEERING	DRAW				
X.X	±0.30	设计		UNIT	mm
X.XX	±0.20	DESIGN		SIZE	A4
X.XXX	±0.10	审核		SHEET	1/1
Angle	± 2°	CHECK		PROJ.	☉
DIM	TOL	核准			
		APPROVE			

料号 PART NO.		WCON ELECTRONICS (GUANGDONG) CO., LTD	
		6321H-XXXSDXXPWR01W	
品名 TITLE:		1.27mm SCSI 母座CEN-TYPE, H型	
		W/T Lockt&CAP, 180度插板型 卷装规范	

WCON