

HSF

### Ordering Information

6326M - 020 S 00 P 0 0X

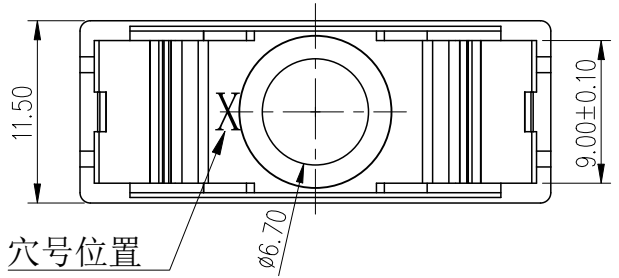
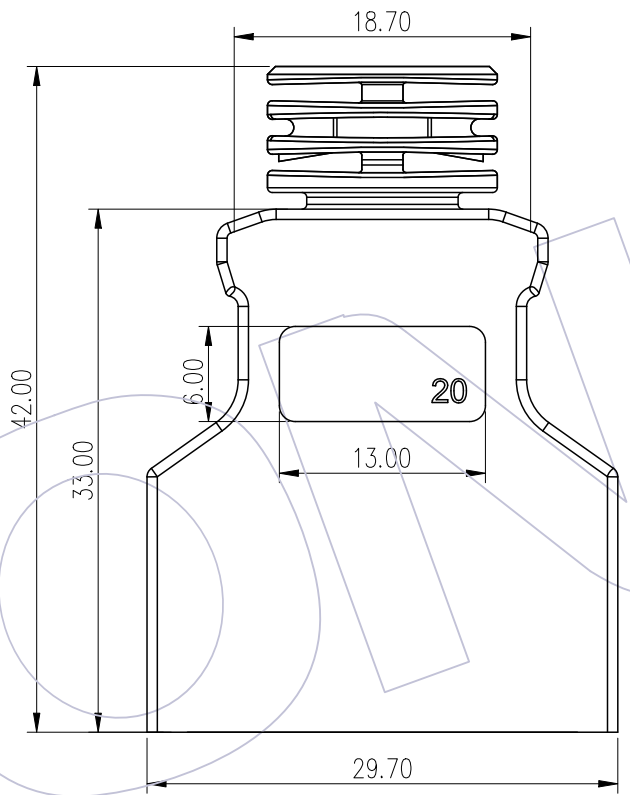
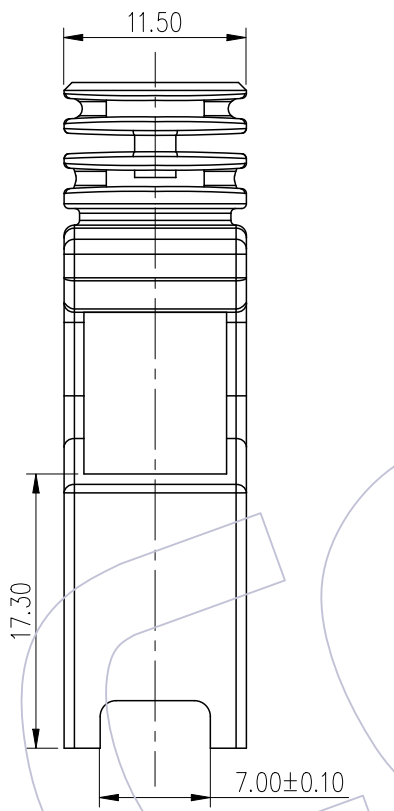
NO. of pins  
20P

Contact Plating  
00=NO contact

Shell material  
P=Plastic

Packing  
0=BAG

Housing&Handle  
Color  
01=Gray  
02=Black  
03=Natural



塑胶外壳  
(Plastic Housing)

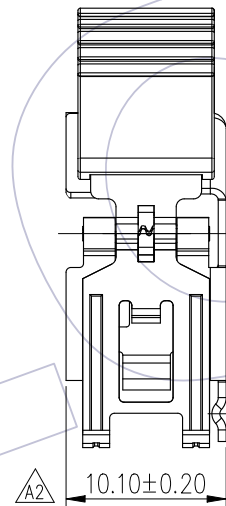
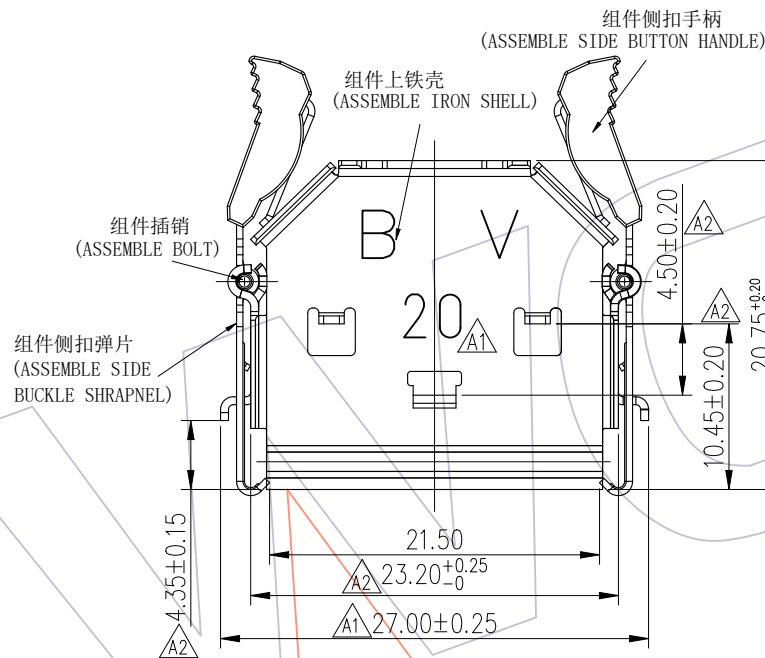
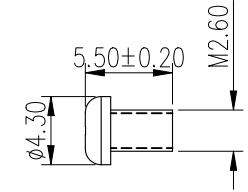
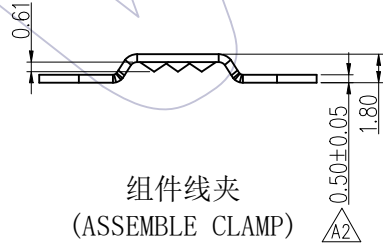
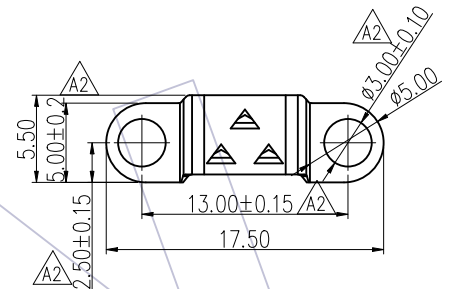
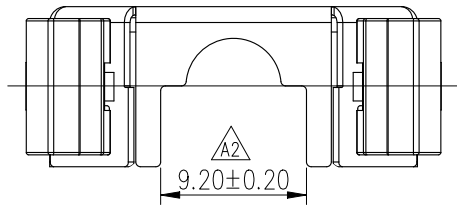
REV	DATE	MODIFICATION DESCRIPTION	CHANGE	OPERATION	DRAW	DATE	SCALE	FIT	PART NO.
A2	2023/07/03	Modify DIM.&ADD DIM.	XSR	x.x ±0.40	XSR	2023/07/03	UNIT	mm	6326M-020S00P00X
A1	2023/05/04	ADD DIM.	XSR	x.xx ±0.25	CHECK	DATE	SIZE	A4	TITLE: SCSI ASSEMBLE(20PIN) (8PCS)
A0	2021/11/20	NEW	/	x.xxx ±0.15	APPROVE	DATE	SHEET	1/3	Customer NO.
				Angle ± 3°			PROJ.		
				DIM TOL					

**WCON**  
Http: www.wcon.com

WCON-Dongguan Tel: +86 769 85358920 Fax: +86 769 85358915 E-mail: sales@wcon.com

WCON-Kunshan Tel: +86 512 57468408 Fax: +86 512 57468468 E-mail: sales@wcon.com

HSF



上铁壳组合件  
(UPPER IRON SHEEL ASSEMBLIES)

组件螺丝  
(ASSEMBLE SCREW)

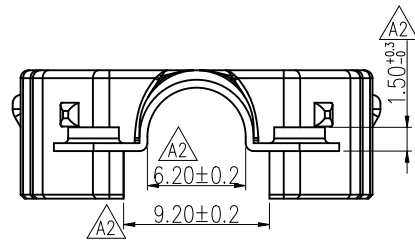
REV	DATE	MODIFICATION DESCRIPTION	CHANGE	OPERATION	DRAW	DATE	SCALE	FIT	PART NO.
A2	2023/07/03	Modify DIM.&ADD DIM.	XSR	X.X ±0.40	XSR	2023/07/03	UNIT	mm	6326M-020S00P00X
A1	2023/05/04	ADD DIM.	XSR	X.XX ±0.25	CHECK	DATE	SIZE	A4	TITLE: SCSI ASSEMBLE(20PIN) (8PCS)
A0	2021/11/20	NEW	/	X.XXX ±0.15	APPROVE	DATE	SHEET	2/3	Customer NO.
				Angle ± 3°			PROJ.		
				DIM TOL					

**WCON**  
Http: www.wcon.com

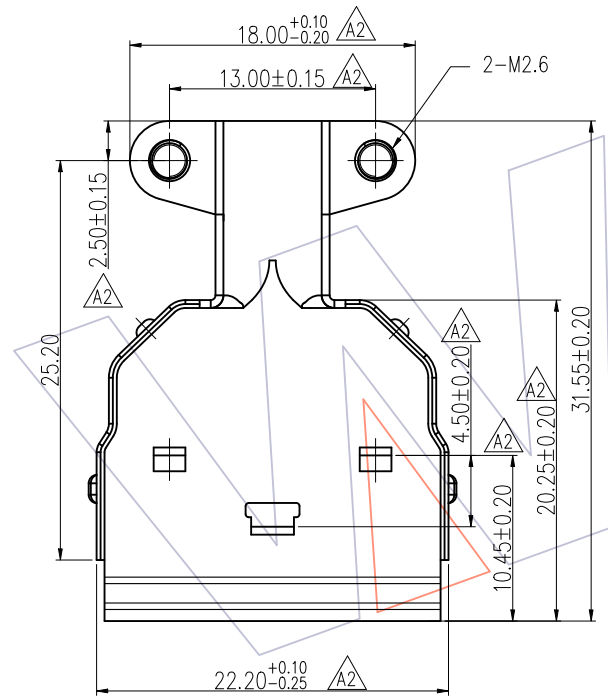
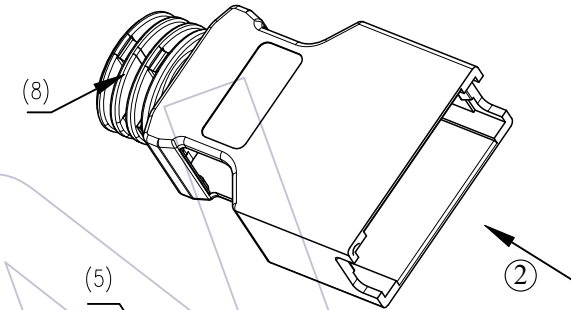
WCON-Dongguan Tel: +86 769 85358920 Fax: +86 769 85358915 E-mail: sales@wcon.com

WCON-Kunshan Tel: +86 512 57468408 Fax: +86 512 57468468 E-mail: salesks@wcon.com

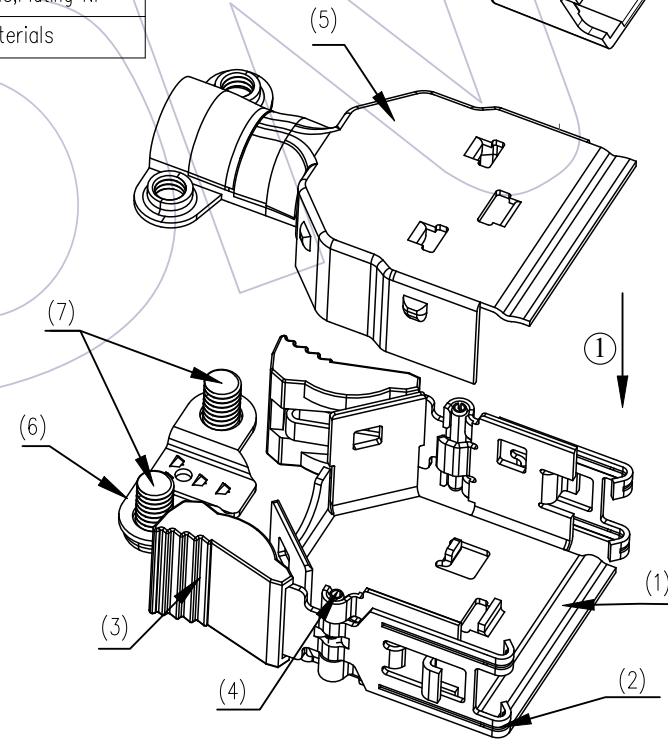
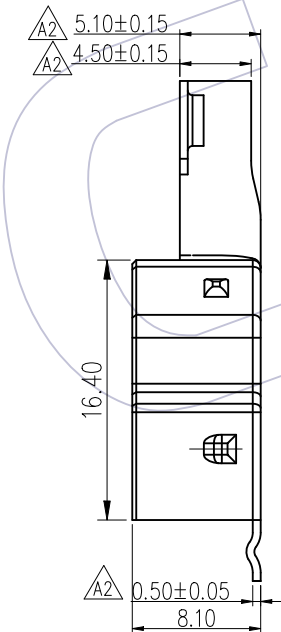
HSF



(8)	PLASTIC HOUSING	G6326M-020XS01	1	ABS Black/Gray/Natural
(7)	SCREW	L6326-SNI01	2	C1018A Plating Ni
(6)	CLAMP	B6326-020PNI01	1	C5191-H,T=0.5 Plating Ni
(5)	LOWER IRON SHELL	M6326-020DNI02	1	SPCC,T=0.5,Plating Ni
(4)	BOLT	I6326-SM001	2	SUS301
(3)	SIDE BUTTON HANDLE	G6326-XJ01	2	PC+ABS Black/Gray/Natural
(2)	SIDE BUCKLE SHRAPNEL	K6326-SM001A	2	SUS301
(1)	UPPER IRON SHELL	M6326-020DNI01	1	SPCC,T=0.5,Plating Ni
ITEM	Descriptionn	Part Number	Q'TY	Materials



组件下铁壳  
(ASSEMBLE LOWER IRON SHELL)



3D组装示意图  
3D ASSEMBLY SKETCH

				OPERATION		DRAW	DATE	SCALE	FIT	PART NO.	Customer NO.
A2	2023/07/03	Modify DIM.&ADD DIM.	XSR	x.x	±0.40						
A1	2023/05/04	ADD DIM.	XSR	x.xx	±0.25	CHECK	DATE	SIZE	A4	TITLE:	SCSI ASSEMBLE(20PIN) (8PCS)
A0	2021/11/20	NEW	/	x.xxx	±0.15	APPROVE	DATE	SHEET	3/3		
REV	DATE	MODIFICATION DESCRIPTION	CHANGE	Angle	± 3°	DIM	TOL	PROJ.			

**WCON**  
Http: www.wcon.com

WCON-Dongguan  
Tel: +86 769 85358920  
Fax: +86 769 85358915  
E-mail: sales@wcon.com

WCON-Kunshan  
Tel: +86 512 57468408  
Fax: +86 512 57468468  
E-mail: sales@wcon.com