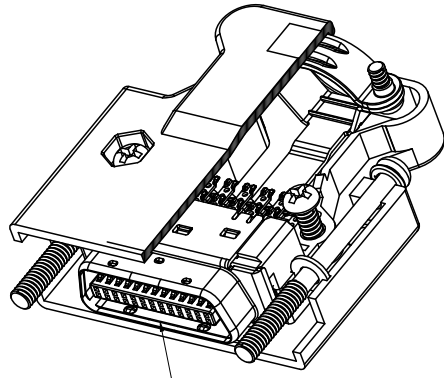
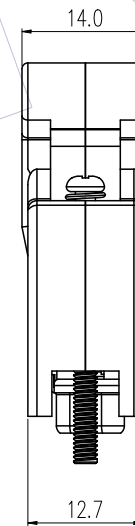
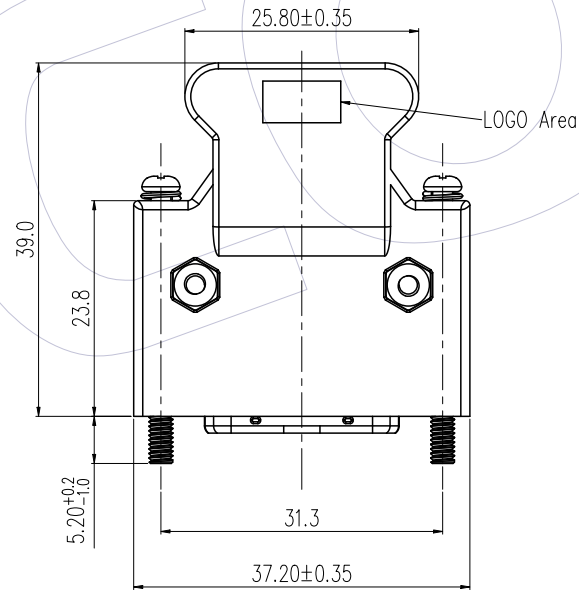
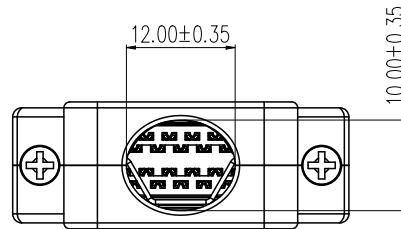


HSF



WCON CONNECTOR PN:6320M-026SSXXMNA01



Ordering Information

6327M-26 S 00 P A 01 W

NO.of pins
26P

Contact Plating
00=NO contact

Shell material
P=Plastic

Packing
A=TRAY

LOGO
Blank=Without
W=WCON

| | | | | | | | | | | |
|-----|------------|--|--------------------------|-----------|-------|-------------|------------|-------|-----|---|
| | | | | OPERATION | | DRAW XSR | DATE | SCALE | FIT | PART NO. 6327M-026S00PA01(W) |
| | | | | X.X | ±0.40 | | 2021.07.06 | UNIT | mm | |
| | | | | X.XX | ±0.25 | CHECK | DATE | SIZE | A4 | TITLE: |
| | | | | X.XXX | ±0.15 | APPROVE | DATE | SHEET | 1/3 | 1.27mm SCSI MALE SHELL W/SCREW TYPE LOCK |
| A0 | 2021.07.06 | | NEW | Angle | ± 3° | | | PROJ. | ⌀ | Customer NO. B7001 |
| REV | DATE | | MODIFICATION DESCRIPTION | DIM | TOL | CHANGE | | | | |

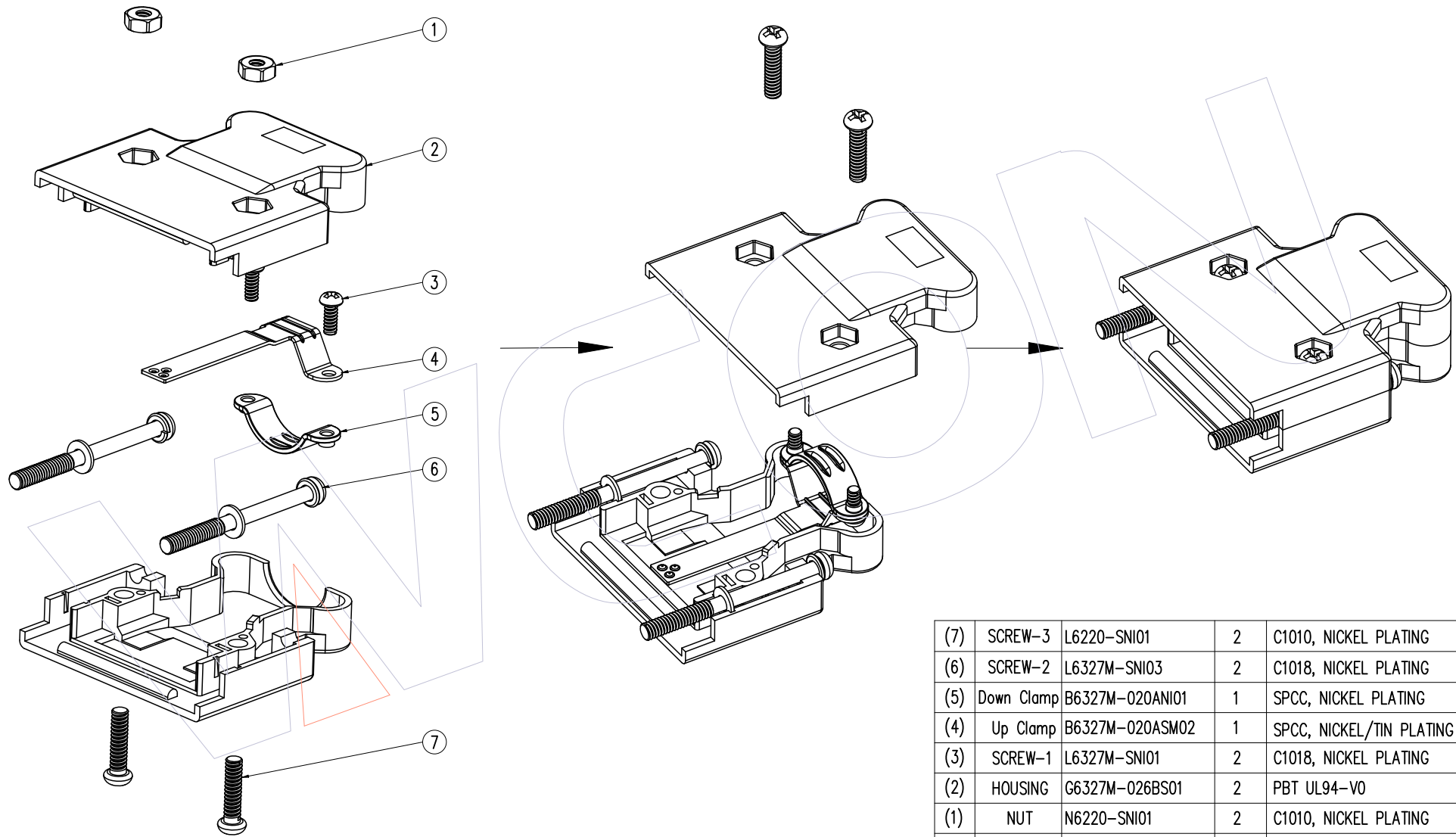
WCON

Http: www.wcon.com


WCON-Dongguan
Tel: +86 769 85358920
Fax: +86 769 85358915
E-mail: sales@wcon.com

WCON-Kunshan
Tel: +86 512 57468408
Fax: +86 512 57468468
E-mail: salesks@wcon.com

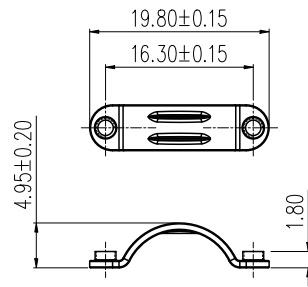
HSF



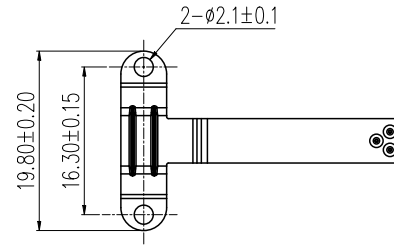
| ITEM | Description | P/N | QTY | Material |
|------|-------------|-----------------|-----|--------------------------|
| (7) | SCREW-3 | L6220-SNI01 | 2 | C1010, NICKEL PLATING |
| (6) | SCREW-2 | L6327M-SNI03 | 2 | C1018, NICKEL PLATING |
| (5) | Down Clamp | B6327M-020ANI01 | 1 | SPCC, NICKEL PLATING |
| (4) | Up Clamp | B6327M-020ASM02 | 1 | SPCC, NICKEL/TIN PLATING |
| (3) | SCREW-1 | L6327M-SNI01 | 2 | C1018, NICKEL PLATING |
| (2) | HOUSING | G6327M-026BS01 | 2 | PBT UL94-V0 |
| (1) | NUT | N6220-SNI01 | 2 | C1010, NICKEL PLATING |

| REV | DATE | MODIFICATION DESCRIPTION | CHANGE | OPERATION | DRAW | DATE | SCALE | FIT | PART NO. |  Http: www.wcon.com |
|-----|------------|--------------------------|--------|-------------|---------|------------|-------|------|---|---|
| A0 | 2021.07.06 | NEW | | X.X ±0.40 | XSR | 2021.07.06 | UNIT | mm | 6327M-026S00PA01(W) | |
| | | | | X.XX ±0.25 | CHECK | DATE | SIZE | inch | TITLE: | WCON-Kunshan Tel: +86 512 57468408 Fax: +86 512 57468468 E-mail: salesks@wcon.com |
| | | | | X.XXX ±0.15 | APPROVE | DATE | SHEET | A4 | 1.27mm SCSI MALE SHELL W/SCREW TYPE LOCK | |
| | | | | Angle ± 3' | | | PROJ. | 2/3 | Customer NO. B7001 | |
| | | | | DIM TOL | | | | | | |

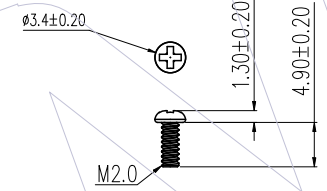
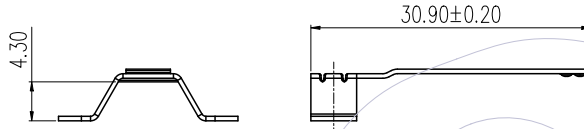
HSF



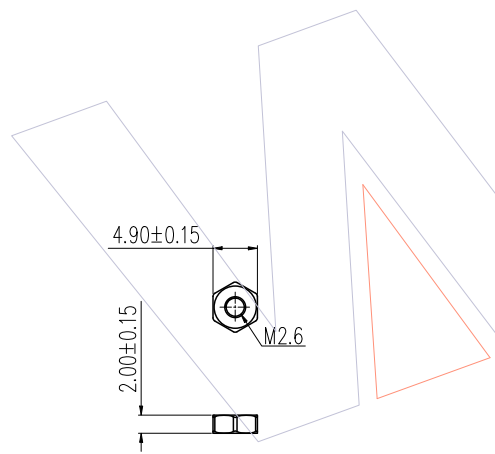
Down Clamp



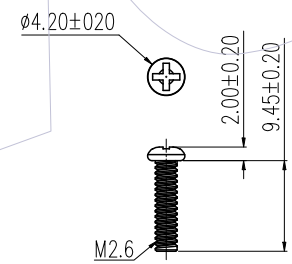
Up Clamp



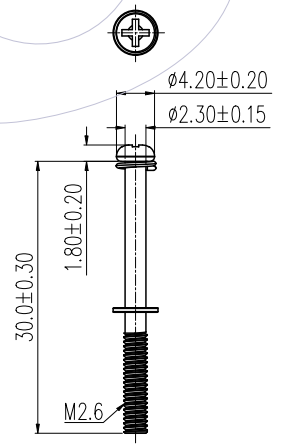
SCREW-1



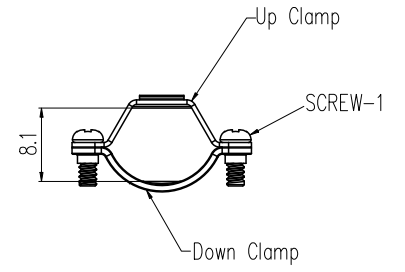
NUT



SCREW-3



SCREW-2



| | | | | | | | | | |
|-----|------------|--------------------------|--------|-------------|---------|------------|-------|--------------|---|
| | | | | OPERATION | DRAW | DATE | SCALE | FIT | PART NO. 6327M-026S00PA01(W) |
| | | | | X.X ±0.40 | XSR | 2021.07.06 | UNIT | mm | |
| | | | | X.XX ±0.25 | CHECK | DATE | SIZE | inch | TITLE: |
| A0 | 2021.07.06 | NEW | | X.XXX ±0.15 | APPROVE | DATE | SHEET | 3/3 | 1.27mm SCSI MALE SHELL W/SCREW TYPE LOCK |
| REV | DATE | MODIFICATION DESCRIPTION | CHANGE | Angle ± 3° | | | PROJ. | Customer NO. | B7001 |
| | | | | DIM TOL | | | | | |

WCON
Http: www.wcon.com

| | |
|---|--|
| WCON-Dongguan Tel: +86 769 85358920 Fax: +86 769 85358915 E-mail: sales@wcon.com | WCON-Kunshan Tel: +86 512 57468408 Fax: +86 512 57468468 E-mail: salesks@wcon.com |
|---|--|