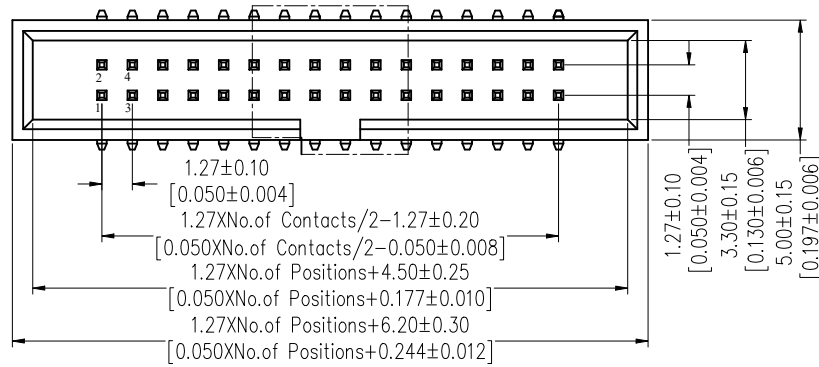


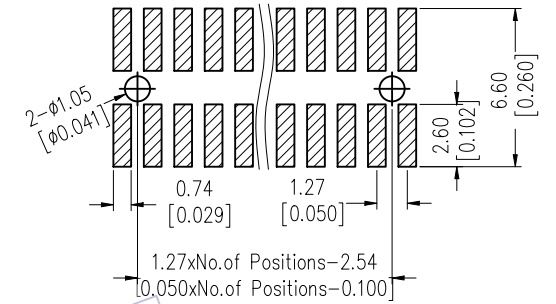
HSF

NOTES:
 Current Rating: 1AMP
 Contact Resistance: 20mΩ max
 Withstand Voltage: 500V AC/DC
 Insulation Resistance: 1000MΩ min
 Operation Temperature: -40°C to +105°C

Contact Material: Brass
 Contact plating: Au or Sn Over Ni
 Insulator Material: PA9T G.F (UL94V-0)



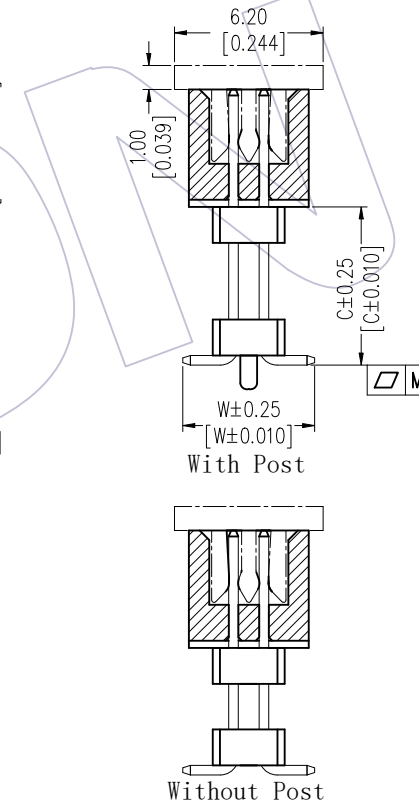
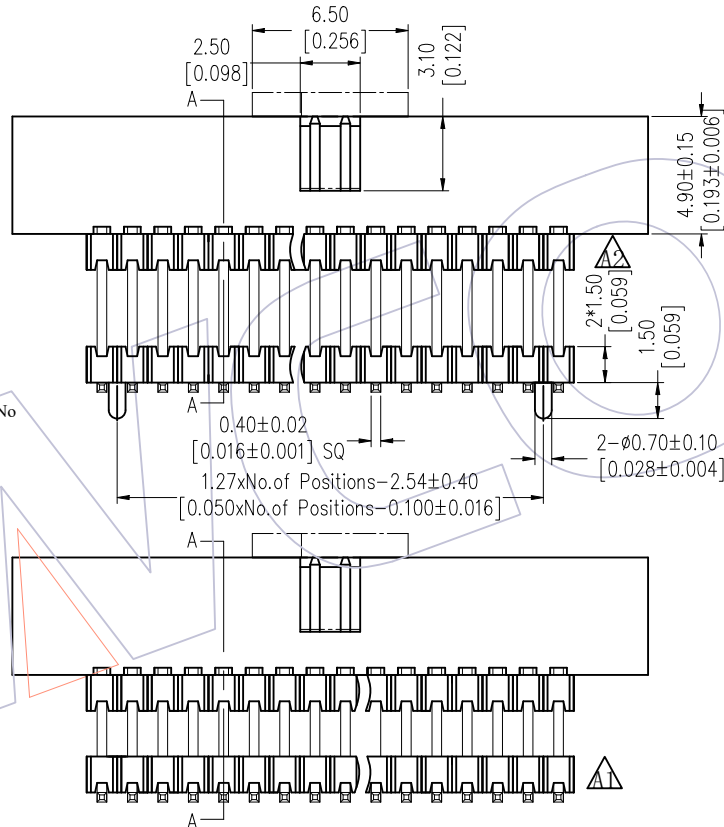
Recommended P. C. B Layout (Top Side)
 (PCB BOARD TOLERANCE ±0.05)



Ordering Information

3130- XX M XX B D00 X X

No. of Pins	Contact Plating	Color Insulator	Packing	Series No
10 34	G0=Gold Flash	B=Black	T=Tube	
14 40	G3=10u"Gold		P=Tube+CAP	
16 44	G4=15u"Gold		R=Tape&Reel+CAP	
20 50	G5=30u"Gold			
24 60	S0=Gold Flash/Tin			
26 64	S3=10u"Gold/Tin			
30 80	S4=15u"Gold/Tin			
32 100	S5=30u"Gold/Tin			
	SN=Tin			



A3

PIN(PerRow)	2-20P	22-40P	40-100P
M	0.10	0.12	0.15

Dimension antitheses list		
ITEM	W	C
Standard	5.50	6.60
Alternate		

REV	DATE	MODIFICATION DESCRIPTION	CHANGE	OPERATION	DRAW	DATE	SCALE	FIT	PART NO.
A3	2023/02/15	Add Flatness	A3	DuYing	OPERATION	2023/02/15	SCALE	FIT	3130-XXMXXBD00XX
A2	2020/09/22	Add Housing	A2	DuYing	OPERATION	2023/02/15	UNIT	mm	TITLE: 1.27 BOX HEADER SMT H=4.90 ADD HOUSING
A1	2017/01/11	Modify	A1	Ding	CHECK	DATE	inch	A4	
A0	2013/01/14	NEW			APPROVE	DATE	SHEET	1/1	Customer NO.
							PROJ.		

WCON

Http: www.wcon.com

WCON-Dongguan WCON-Kunshan
 Tel: +86 769 85358920 Tel: +86 512 57468408
 Fax: +86 769 85358915 Fax: +86 512 57468468
 E-mail: sales@wcon.com E-mail: salesks@wcon.com