

HSF

Recommended P.C.B Layout (Top Side)
(PCB BOARD TOLERANCE ± 0.05)

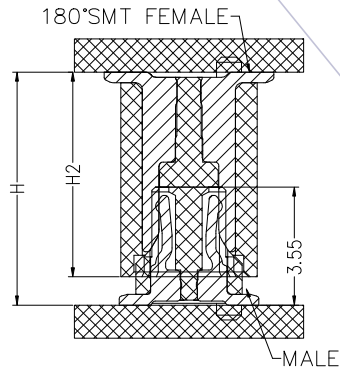
NOTES:
Current Rating: 0.5AMP
Contact Resistance: 30m Ω max
Withstand Voltage: 500V AC/DC
Insulation Resistance: 100M Ω min
Operation Temperature: -20°C to $+105^{\circ}\text{C}$

Contact Material: Phosphor Bronze
Housing Material: PA9T Natural(UL94V-0)
CAP Material: LCP Natural(UL94V-0)
Contact plating: Au or Sn over Ni

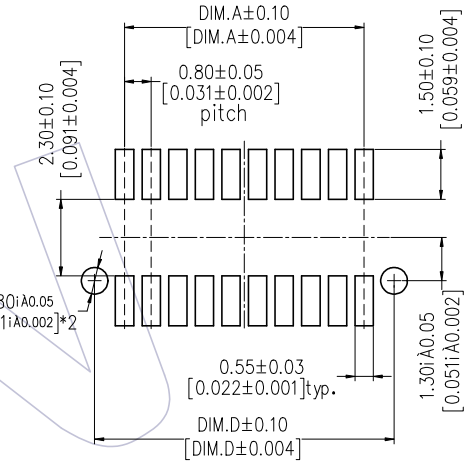
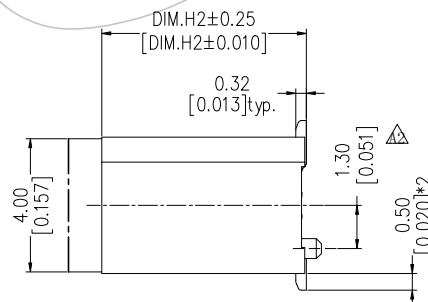
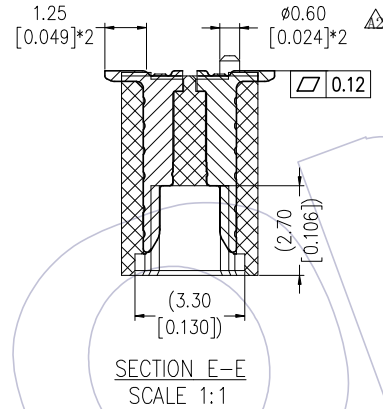
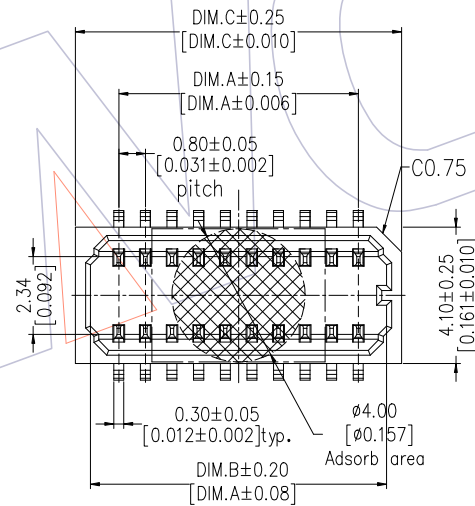
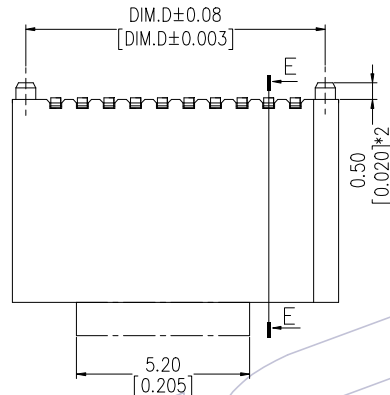
Ordering Information

3612-S XXX - XXX XX R 01

No. of Pins Housing High Contact Plating T=Tube
Female=H2 G1=3u"Gold P=Tube+CAP
G2=5u"Gold R=Tape&Reel+CAP
S1=3u"Gold/Tin S2=5u"Gold/Tin



MATED
DRAWING(REF.) DRAWING(REF.)



PART NO.	FEMALE(H2)
3612-SXXX-036XXR01	3.65
3612-SXXX-041XXR01	4.15
3612-SXXX-047XXR01	4.70
3612-SXXX-051XXR01	5.15
3612-SXXX-056XXR01	5.65
3612-SXXX-061XXR01	6.15

17.00	17.80	16.90	15.20	40
16.20	17.00	16.10	14.40	38
15.40	16.20	15.30	13.60	36
14.60	15.40	14.50	12.80	34
13.80	14.60	13.70	12.00	32
13.00	13.80	12.90	11.20	30
12.20	13.00	12.10	10.40	28
11.40	12.20	11.30	9.60	26
10.60	11.40	10.50	8.80	24
9.80	10.60	9.70	8.00	22
9.00	9.80	8.90	7.20	20
8.20	9.00	8.10	6.40	18
7.40	8.20	7.30	5.60	16
6.60	7.40	6.50	4.80	14
5.80	6.60	5.70	4.00	12
5.00	5.80	4.90	3.20	10
DIM.D	DIM.C	DIM.B	DIM.A	PIN NO.

ASS'Y HEIGHT(H)	FEMALE(H2)	MALE(H1)
4.50	3.65	3.55
5.00	4.15	
5.55	4.70	
6.00	5.15	
6.50	5.65	
7.00	6.15	

REV	DATE	MODIFICATION DESCRIPTION	CHANGE	OPERATION	DRAW	DATE	SCALE	FIT	PART NO.
A2	2015/12/29	内柱位置: 1.20 \rightarrow 1.30 大小: $\phi 0.75 \rightarrow \phi 0.60$	Δ	x.x ± 0.40	JYHuang	2015/12/29	UNIT	mm	3612-SXXX-XXXXXR01
A1	2013/05/02	Modify	Δ	x.xx ± 0.25	CHECK	DATE	inch		
A0	2013/03/22	NEW	—	x.xxx ± 0.15	APPROVE	DATE	SIZE	A4	TITLE:
				Angle $\pm 3^{\circ}$			SHEET	1/1	"M" FEMALE 180° SMT TYPE
				DIM TOL			PROJ.	ϕ	Customer NO.

WCON
Http: www.wcon.com

WCON-Dongguan WCON-Kunshan
Tel: +86 769 85358920 Tel: +86 512 57468408
Fax: +86 769 85358915 Fax: +86 512 57468468
E-mail: sales@wcon.com E-mail: salesks@wcon.com